

# Ex-Proof Loudspeaker dHS



II 2 G EEx dem IIC T5  
Zone 1 + 2

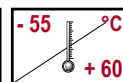
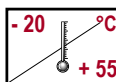
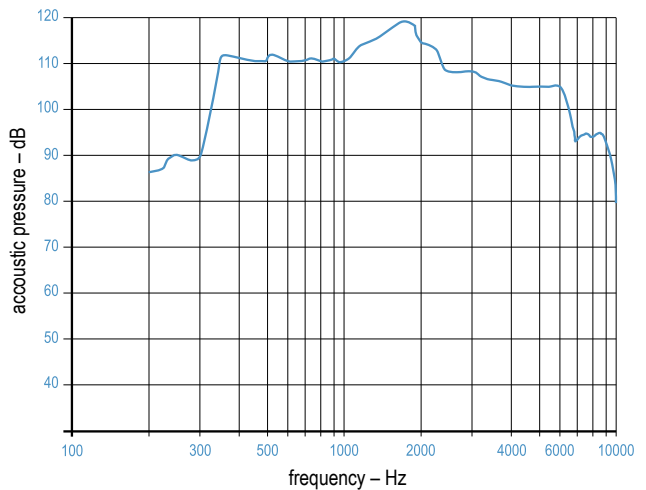


terminal connection chamber increased safety „e“

## Features

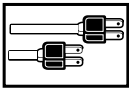
- ▶ ex-proof loudspeaker for emergency communications and for warning, calling, indicating in explosion endangered areas of zone 1 and 2
- ▶ power up to 25 W at sound pressure levels up to 119 dB (A) in 1 m
- ▶ built-in 100 V transformer – for connection to 100 V loudspeaker systems
- ▶ antistatic, UV-resistant synthetic housing
- ▶ low weight, robust and corrosion proof design
- ▶ insulation class II – no equipotential bonding required
- ▶ excellent acoustic quality
- ▶ gas tight encapsulated transformer module
- ▶ acoustic pressure chamber is separated from environment via a special sinter metal filter

## Frequency



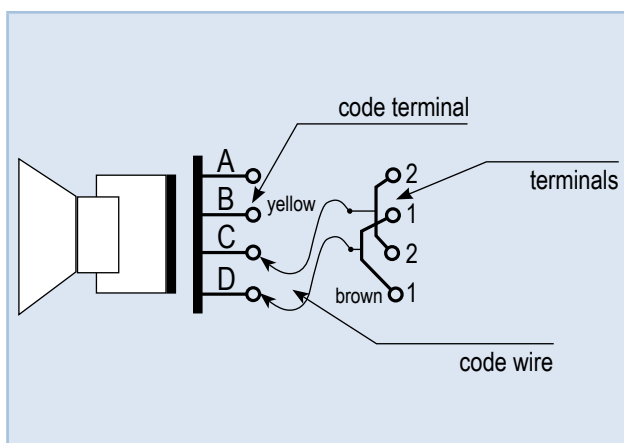
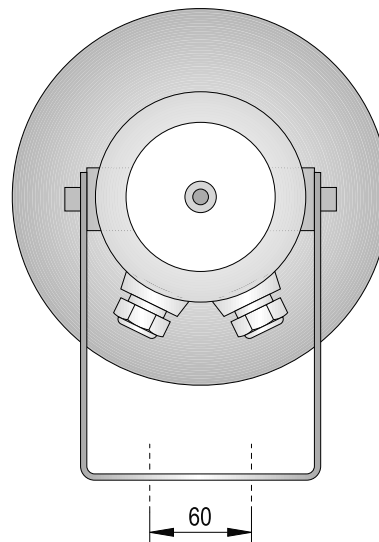
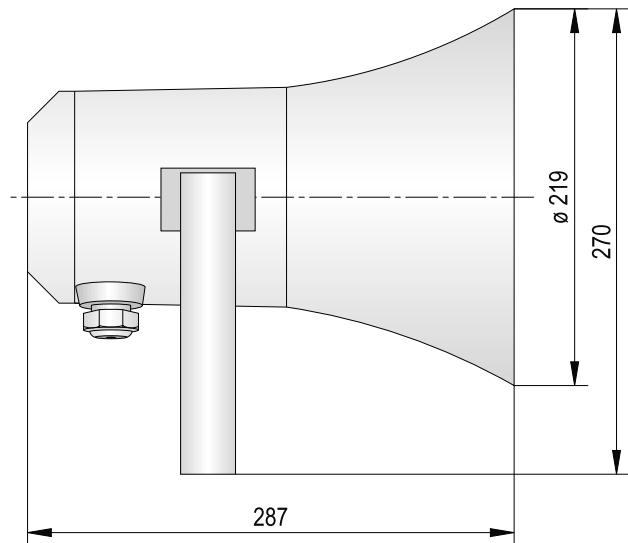
dHS1

dHS2



## Technical data

Type	dHS
Housing, Colour	antistatic UV-resistant synthetic housing black
Mounting bracket	stainless steel V4A
Terminal	2,5 mm <sup>2</sup> (AWG) fine wire 4,0 mm <sup>2</sup> single wire
Connection cable	6 - 13 mm
Cable entry	2 x cable gland M20 x 1,5
Mounting	as required - swiveling mounting bracket
Insulation class	II no equipotential bonding required
Weight	3,5 kg
Input-Output feed through	up to 20 loudspeakers resp. max. 500 W
Supply voltage	100 V
Max. power 70-15000 Hz	25 W
SPL 25 W / 1m	119 dB (A)
SPL 1 W / 1m	107 dB (A)
Transmission range	230 - 10.000 Hz
Transmission range acc.to IEC 60268	330 - 6.200 Hz
Distortion factor 1 W/1 kHz	≤ 4%
Distortion factor 10 W/1 kHz	≤ 5%
Angle of radiation 1 kHz - 6 dB	130°
Angle of radiation 4 kHz - 6 dB	40°
Approval	PTB 03 ATEX 1231



**Coding via internal stranded hook-up wires:**  
polarity (yellow/brown)

Code wire		Power (W)
brown	yellow	
D*	C*	25,0*
C	B	12,5
B	A	8,0
D	B	4,0
C	A	2,0
D	A	1,0

\* Factory setting  
Leads 1 + 2 / Further loops 1 + 2



## Order data

Type	Order No.	Description	Power (W)	Temperature range
dHS1	360 000 000	Ex-proof loudspeaker	25	-20 °C to +55 °C
dHS2	360 000 001	Ex-proof loudspeaker	25	-55 °C to +60 °C