

## Spring encoder arm

### Base plate

- Variable in 4 directions

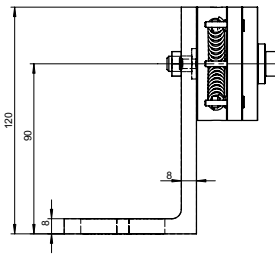
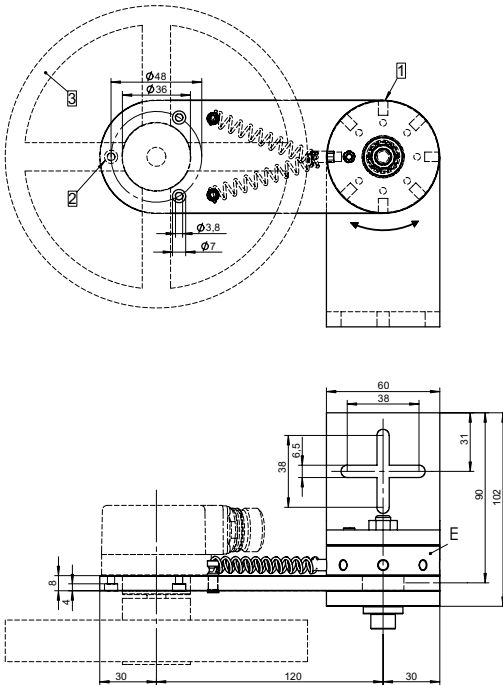
### Can be installed in any mounting position

- 9 setting positions in 40° steps



### Pressure

- Max. 40 N, adjustable
- Spring pressure available in any position



- 1 Setting with a size 0 or 1 screwdriver
- 2 3 pcs. screws M3 x 8 DIN 912 included
- 3 Measuring wheel

### Technical data:

Pressure for each notch:   appr. 20 N (first notch between 0 and appr. 20 N)

Temperature:                 -40 °C ... + 120 °C

Order code: 8.0010.7000.0010

1/2006

