

DC brushless fan

→ KDE range

- air flow : 1.5 to 110 CFM
- acoustic noise : 23 to 45 dB A



Specifications

Type	Voltage (V)	Nominal current (A)	nominal power (W)	Speed (rpm)	Max. air flow rate 1 CFM = 1.7 m ³ /h (CFM)	Code
120 x 38 mm	12	0.59	7	3000	110	99 484 002
	24	0.25	6	3000	110	99 484 006
92 x 25 mm	12	0.22	2.6	3200	50	99 484 201
	24	0.15	3.6	3200	50	99 484 204
	12	0.12	1.4	2400	42	99 484 203
	24	0.11	2.6	2400	42	99 484 206
80 x 25 mm	12	0.22	2.6	3000	41.7	99 484 301
	24	0.15	3.6	3000	41.7	99 484 304
	12	0.12	1.4	2200	29.4	99 484 303
	24	0.1	2.4	2200	29.4	99 484 306
60 x 25 mm	12	0.19	2.2	4500	21.7	99 484 401
	12	0.09	1.2	3300	15.9	99 484 403
60 x 15 mm	12	0.16	1.9	4000	17.8	99 484 501
40 x 20 mm	12	0.07	0.9	6000	6.5	99 484 601
40 x 10 mm	12	0.07	0.9	5600	5.8	99 484 701
25 x 10 mm	12	0.095	1.1	10000	1.5	99 484 801

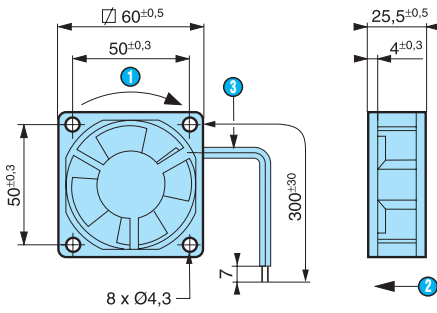
General characteristics

Bearings	sleeve
Material Plastic body	PBT UL 94V-0
Material Fan	PBT UL 94V-0
Insulation (IEC 664-1)	Class E
Approved UL, CSA and TUV	✓
Available with ball bearings on request, in suitable quantities	✓
Weight (g) 120 x 38 mm	328
Weight (g) 92 x 25 mm	135
Weight (g) 80 x 25 mm	120
Weight (g) 60 x 25 mm	60
Weight (g) 60 x 15 mm	45
Weight (g) 40 x 20 mm	35
Weight (g) 40 x 10 mm	20
Weight (g) 25 x 10 mm	7.5
Minimum order quantity : 120 x 38 mm	40 units
Minimum order quantity : 92 x 25 mm	50 units
Minimum order quantity : 80 x 25 mm	50 units
Minimum order quantity : 60 x 25 mm	100 units
Other types : minimum quantity	500 units

To order, see page 13

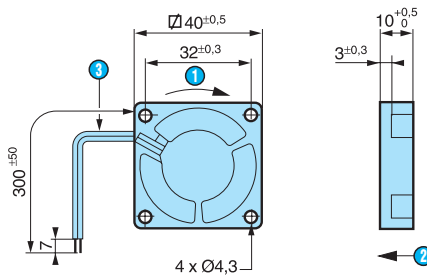
Dimensions

60 x 25



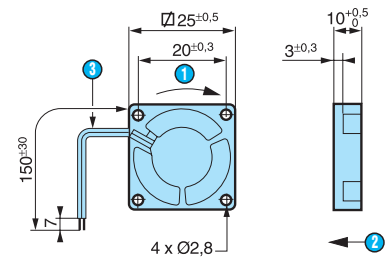
- 1 Rotation
- 2 Air flow
- 3 UL 1007 24 AWG\+ red\ black

40 x 10



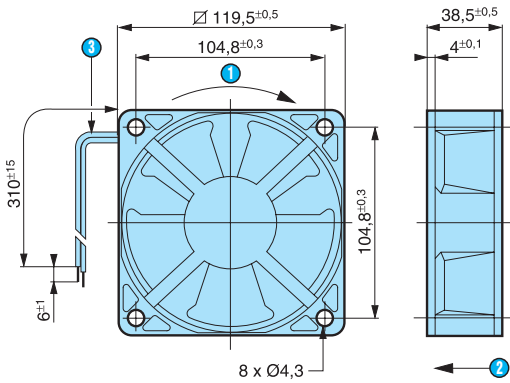
- 1 Rotation
- 2 Air flow
- 3 UL 1007 24 AWG\+ red\ black

25 x 10



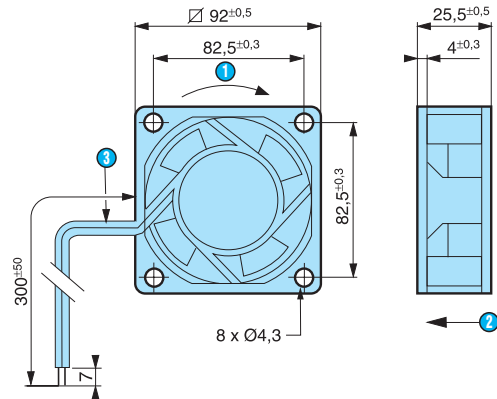
- 1 Rotation
- 2 Air flow
- 3 UL 1007 24 AWG\+ red\ black

120 x 38



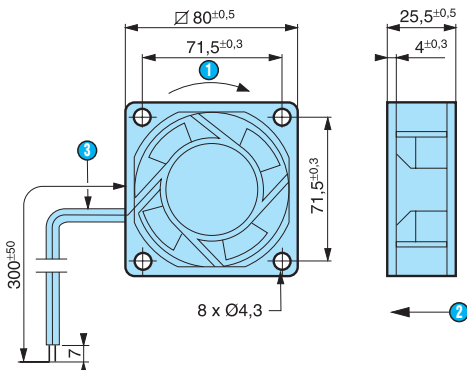
- 1 Rotation
- 2 Air flow
- 3 UL 1007 24 AWG\+ red\ black

92 x 25



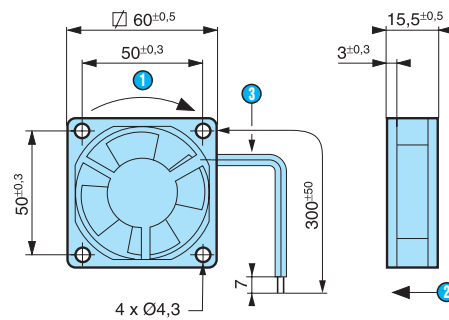
- 1 Rotation
- 2 Air flow
- 3 UL 1007 24 AWG\+ red\ black

80 x 25



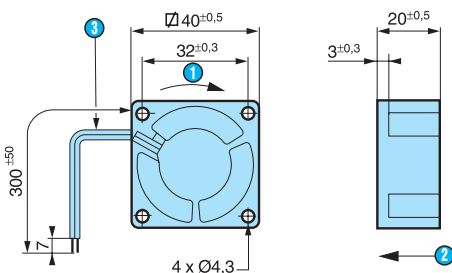
- 1 Rotation
- 2 Air flow
- 3 UL 1007 24 AWG\+ red\ black

60 x 15



- 1 Rotation
- 2 Air flow
- 3 UL 1007 24 AWG\+ red\ black

40 x 20

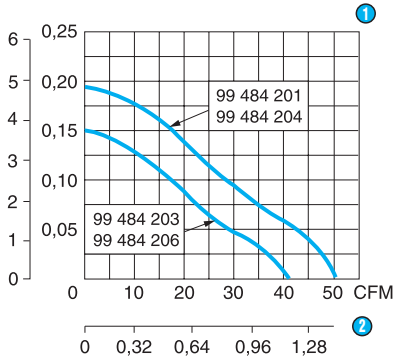


- 1 Rotation
- 2 Air flow
- 3 UL 1007 24 AWG\+ red\ black

7

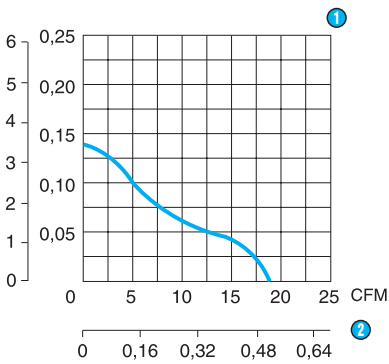
Air performance

99 484 201 / 204 - 99 484 203 / 206



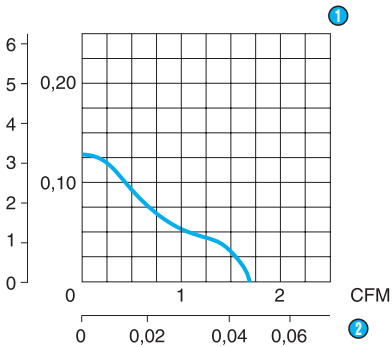
- 1 Air flow
- 2 m³/min

99 484 501



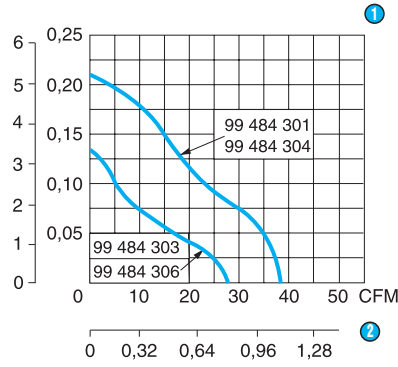
- 1 Air flow
- 2 m³/min

99 484 801



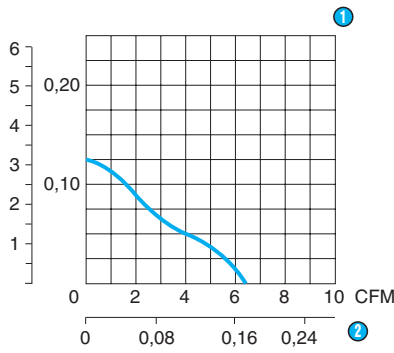
- 1 Air flow
- 2 m³/min

99 484 301 / 304 - 99 484 303 / 306



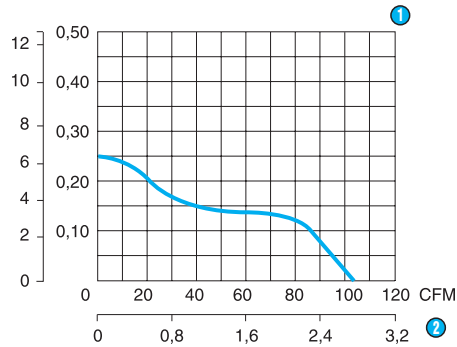
- 1 Air flow
- 2 m³/min

99 484 601



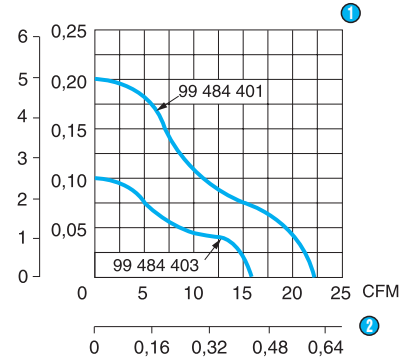
- 1 Air flow
- 2 m³/min

99 487 002 - 99 484 006



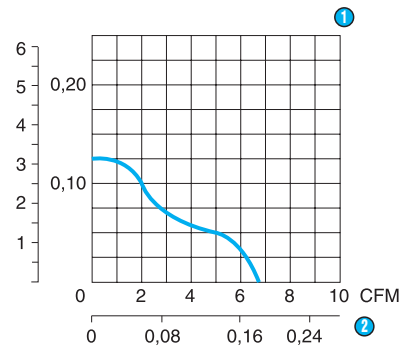
- 1 Air flow
- 2 m³/min

99 484 401 - 99 484 403



- 1 Air flow
- 2 m³/min

99 484 701



- 1 Air flow
- 2 m³/min

7