

Accessories for fans

→ Accessories

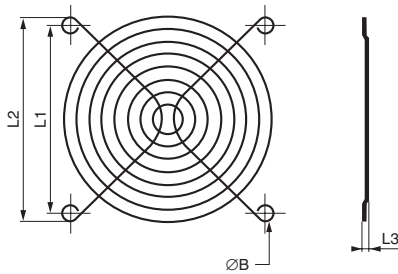


Specifications

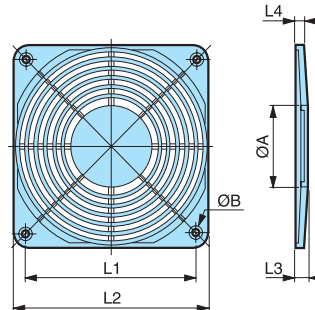
Designation	Fingerguard metal	Fingerguard plastic	Cord type T	Filter
Carré 40 mm	99 485 910			
Carré 60 mm	99 485 900	99 485 923		
Carré 80 mm	99 485 901	99 485 922		
Carré 92 mm	99 485 904	99 485 921		
Carré 120 mm	99 485 902	99 485 920		
Longueur 300 mm			99 485 903	
Longueur 600 mm			99 485 905	
Longueur 1000 mm			99 485 906	
Longueur 2000 mm			99 485 907	
Longueur 3000 mm			99 485 908	
Filter pour ventilateur - 120 x 120 Protection + filtre + carter				99 485 909
General characteristics				
Products in conformity with UL - CSA - VDE	✓	-	✓	-
Material	-	-	-	UL 94 - V0

Dimensions

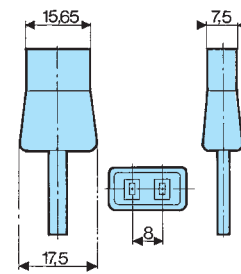
Metal fingerguard



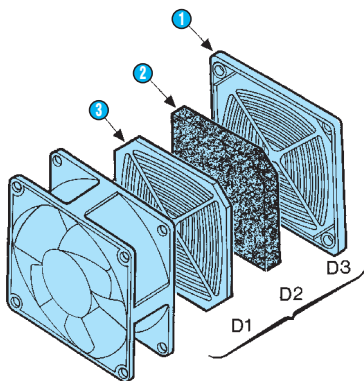
Plastic fingerguard



Cord

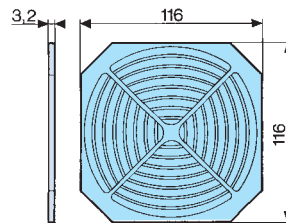


Filter

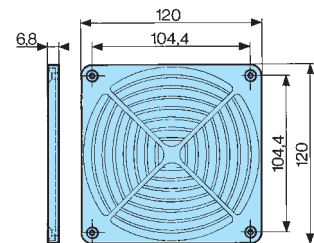


- 1 Cover
- 2 Filter
- 3 Protection

Protection



Cover



To order, see page 13

	L1	L1	L2	L2	L3	L3	L4	ØA	ØB
	plastic	metal	plastic	metal	plastic	metal			
☑ 40 mm	-	-	-	32	-	5±0,35	-	-	4±0,05
☑ 60 mm	50	48.0	60	53.5	7.3	5	3.8	25	4.5
☑ 80 mm	71.5	71.4	80	76.4	7.3	5	3.8	34	4.5
☑ 92 mm	82.5	82.5	92	89.4	7.3	5.5	3.8	34	4.5
☑ 120 mm	105	104.5	120	115.5	7	5.5	3.7	49	4.5