

New products

Motomate

The NEW Motomate system is designed to save you money by greatly reducing the time and effort needed to integrate it into your application. Motomate combines a brushless motor, movement and position control, together with full logic controller functionality in a single compact unit. This eliminates all of the hard work and compatibility problems usually associated with having to integrate separate components.

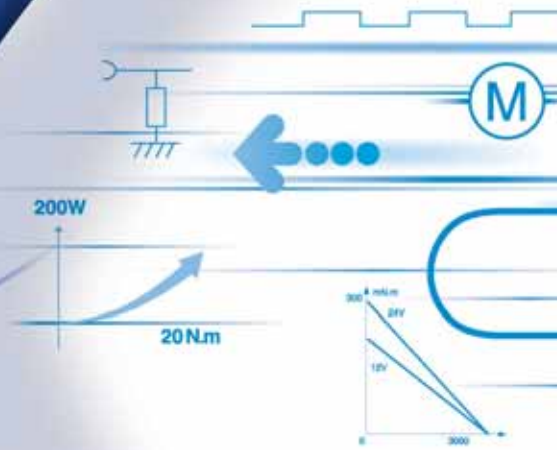
Benefits to you

- Brushless DC motor with integrated logic and motion controller
- Guaranteed compatibility and ease of configuration
- Reliability and safety built-in
- Additional logic inputs and outputs
- High torque, high efficiency and low noise
- Communications options

Benefits to your customer

- Zero down time
- Long life with low noise and low running costs
- Compact size
- Easily reconfigured grows with the installation

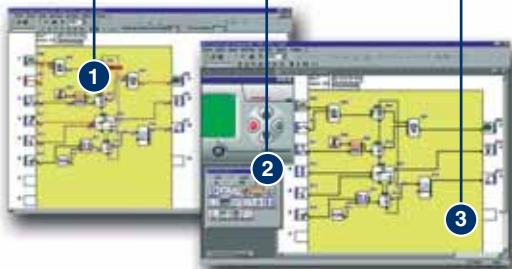
For more information, see page 85



Choose your functions

Construct your program

Test your installation



4 functions pre-programmed specifically for Motomate...



HIGH SPEED COUNTER
Used to count motor pulses, indicate position and calculate speed



TIMER
Used to set a time delay between 2 movements



MOVEMENT
Used to reach a target position following speed ramps



MOTOR MULTIPLEXER
Used to group the On/Off, direction and speed outputs for several movement steps



Brushless DC motors

The NEW brushless DC motor range offers very high levels of performance in a very small package.

This all-in-one solution combines brushless motor technology integrated with advanced electronics to give speed control, dynamic braking and automatic protection.

Benefits to you

- All-in-one solution with motor, speed control and overload protection
- Easy to integrate - no compatibility problems
- Ultra-compact package
- Easy to set up and use
- Encoder output for positioning control
- High starting torque and high efficiency
- Low noise and long life

Benefits to your customer

- Small size
- Zero maintenance
- Long life and low power consumption
- Overload protection built-in

*For more information,
see page 69*



Linear motors

The NEW linear motor range provides a powerful and precise output force whilst remaining incredibly easy to control.

A choice of either reversible synchronous or stepper motor technologies means that you can select the best control system to suit the application.

Benefits to you

- Choice of technology - stepper or synchronous drive
- High output force and precise positioning
- Built-in shaft anti-rotation device for ease of installation
- Simple robust construction

Benefits to your customer

- Low noise
- Zero maintenance
- Low power consumption

*For more information,
see page 169*