



100mm, all stainless steel,
with or without glycerine filling

- Stainless steel case and measuring system
- Pressure ranges from -1...15 bar to 0...1600 bar



Germanischer Lloyd

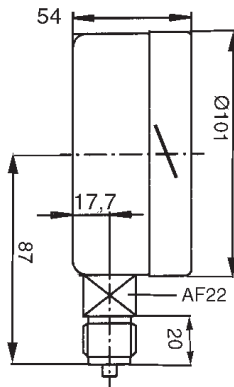
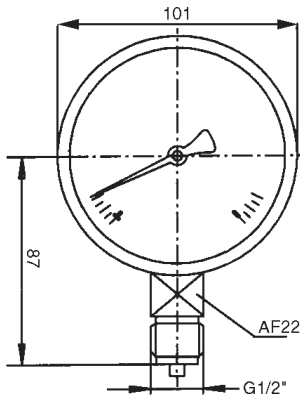
Technical specification

Nominal size (mm)	100
Accuracy class	1.0 to EN 837-1
Operating range	Constant load: up to full scale Alternating load: up to 0.9x full scale Overpressure: 1.3x for short time
Case	Stainless steel, 1.4301 (ss304) Pressure relief opening (sealed with rubber cover)
Bezel	Stainless steel, 1.4301 (ss304)
Window	Laminated safety glass
Dial	Aluminium white, scale black
Pointer	Aluminium, black
Movement	Stainless steel
Measuring element	Stainless steel 316L
≤60 bar	Bourdon tube
≥100 bar	Helical tube

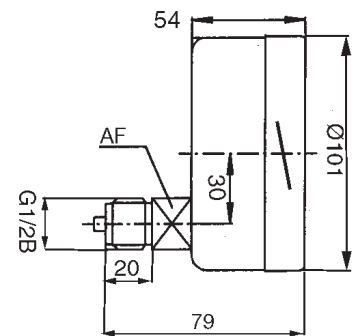
Pressure connection	Stainless steel 316L	
Connection thread	G1/2 B(1/2" BSP)	
Temperature range		
Media	-20°C to +100°C	
Ambient	-25°C to +60°C	
Protection to EN 60529/IEC529	2324/2328 - IP54	2325/2329 - IP65
Weight approx. (kg)	0.6	1.0
Options	Dual scale bar/psi Connection threads Panel mounting (front or rear) Plexiglass Monel wetted parts	

Dimensions

Type 2324/2325



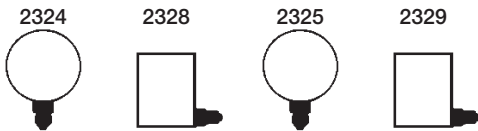
Type 2328/2329



All dimensions in mm

Ordering information

Model



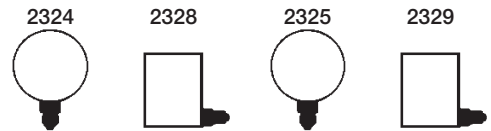
Range (bar)	Part number			
	without glycerine		with glycerine	
-1...0	2324016001	2328016901	2325016001	2329016901
-1...0.6	2324042001	2328042901	2325042901	2329042901
-1...1.5	2324043001	2328043901	2325043001	2329043901
-1...3	2324044001	2328044901	2325044001	2329044901
-1...5	2324045001	2328045901	2325045001	2329045901
-1...9	2324046001	2328046901	2325046901	2329046901
-1...15	2324049001	2328049901	2325049901	2329049901
0...0.6	2324067001	2328067901	2325067001	2329067901
0...1	2324069001	2328069901	2325069001	2329069901
0...1.6	2324070001	2328070901	2325070001	2329070901
0...2.5	2324072001	2328072901	2325072001	2329072901
0...4	2324073001	2328073901	2325073001	2329073901
0...6	2324074001	2328074901	2325074001	2329074901

2324

2328

2325

2329



Range (bar)	Part number			
	without glycerine		with glycerine	
0...10	2324075001	2328075901	2325075001	2329075001
0...16	2324076001	2328076901	2325076001	2329076001
0...25	2324078001	2328078901	2325078001	2329078001
0...40	2324079001	2328079901	2325079001	2329079901
0...60	2324080001	2328080901	2325080001	2329080901
0...100	2324081001	2328081901	2325081001	2329081901
0...160	2324082001	2328082901	2325082001	2329082901
0...250	2324084001	2328084901	2325084001	2329084901
0...400	2324086001	2328086901	2325086001	2329086901
0...600	2324087001	2328087901	2325087001	2329087901
0...1000	2324088001	2328088901	2325088901	2329088901
0...1600	-	2328089901	-	2329089901