



## 100mm, with or without glycerine filling

- Stainless steel case
- Copper alloy measuring system
- Pressure ranges from -1...0 bar to 0...1600 bar



Germanischer Lloyd

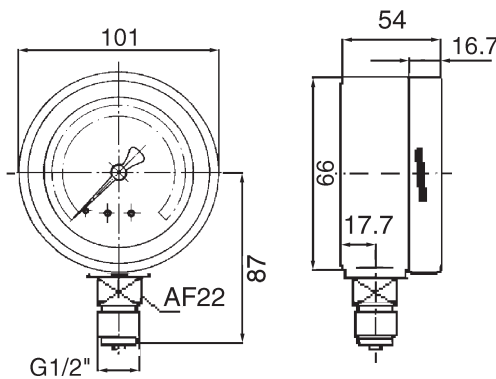
### Technical specification

Nominal size (mm)	100
Accuracy class	1.0 to EN 837-1
Operating range	Constant load: up to full scale Alternating load: up to 0.9 x full scale Overpressure: 1.3x for short time
Case	Stainless steel, 1.4301 (304)
Bezel	Stainless steel, 1.4301 (304)
Window	Glass lens
Dial	Aluminium, white scale black
Pointer	Aluminium, black
Movement	Cu Zn alloy
Measuring element	Cu alloy <40 bar >60 bar
	Stainless steel 316L

Pressure connection	CuZn alloy
Connection thread	G1/2 B (1/2" BSP) >1000 bar stainless steel 316L
Temperature range	
Media	-20°C to +80°C
Ambient	-25°C to +60°C
Protection to EN 60529/IEC529	1533/1534 - IP54    1778/1779 - IP65
Weight approx. (kg)	0.6                      0.9
Options	Dual scale bar/psi Connection threads Panel mounting (front or rear) Safety or plexiglass

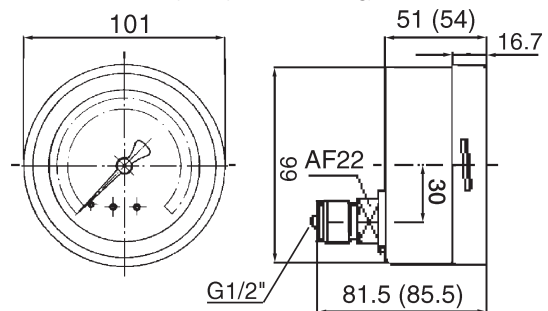
### Dimensions

Type 1533/1778



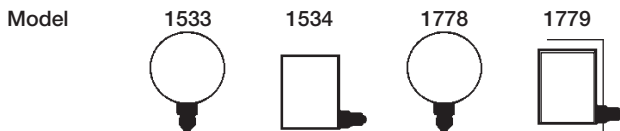
Type 1554/1779

(dimensions in brackets relate to 1779)  
(1779 comes with clamp for panel mounting)

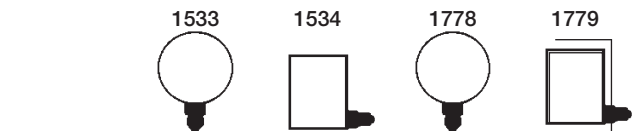


All dimensions in mm

### Ordering information



Range (bar)	Part number			
	without glycerine		with glycerine	
-1...0	1533016001	1534016001	1778016002	1779016002
-1...0.6	1533042001	1534042901	1778042002	1779042902
-1...1.5	1533043001	1534043901	1778043002	1779043902
-1...3	1533044001	1534044901	1778044002	1779044902
-1...5	1533045001	1534045901	1778045002	1779045902
-1...9	1533046001	1534046901	1778046002	1779046902
-1...15	1533049001	1534049901	1778049002	1779049902
0...0.6	1533067001	1534067001	1778067002	1779067902
0...1	1533069001	1534069001	1778069002	1779069902
0...1.6	1533070001	1534070001	1778070002	1779070002
0...2.5	1533072001	1534072001	1778072002	1779072002
0...4	1533073001	1534073001	1778073002	1779073002
0...6	1533074001	1534074001	1778074002	1779074002



Range (bar)	Part number			
	without glycerine		with glycerine	
0...10	1533075001	1534075001	1778075002	1779075002
0...16	1533076001	1534076001	1778076002	1779076002
0...25	1533078001	1534078001	1778078002	1779078002
0...40	1533079001	1534079001	1778079002	1779079002
0...60	1533080001	1534080001	1778080002	1779080002
0...100	1533081001	1534081001	1778081002	1779081002
0...160	1533082001	1534082001	1778082002	1779082002
0...250	1533084001	1534084001	1778082002	1779082002
0...400	1533086001	1534086001	1778086002	1779086002
0...600	1533087001	1534087001	1778087002	1779087002
0...1000	1533088001	1534088901	1778088002	1779088902
0...1600	1533089901	1534089901	-	-