

40mm, 50mm and 63mm panel mount



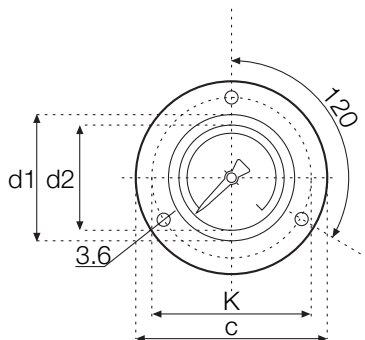
- Steel case
- Copper alloy measuring system
- Pressure ranges from -1...15 bar to 0...400 bar
- Bezel or front flange mount

Technical specification

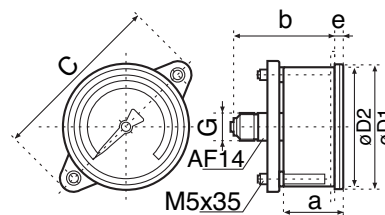
Nominal size	40, 50 and 63	Connection thread	G1/4 B (1/4" BSP)
Accuracy class	2.5 to EN 837-1	Temperature ranges	
Operating range	Constant load: 3/4 x full scale Alternating load: 2/3 x full scale	Media	-20°C to +60°C
Case	Steel, black finish	Ambient	+60°C
Bezel	Steel chrome plated, triangular bezel or front flange mount	Weight approx (Kg)	40mm - 0.11, 50mm - 0.12 and 63mm - 0.14
Window	Plexiglass	Options (moq applies)	Dual scale bar/psi Connection threads Glass window
Dial	Plastic white, scale black		
Pointer	Plastic black		
Movement	Cu Zn alloy (Brass)		
Measuring element	Cu alloy		
Pressure connection	Cu Zn alloy		
Position	Central, back		

Dimensions

1416, 1426, 1436



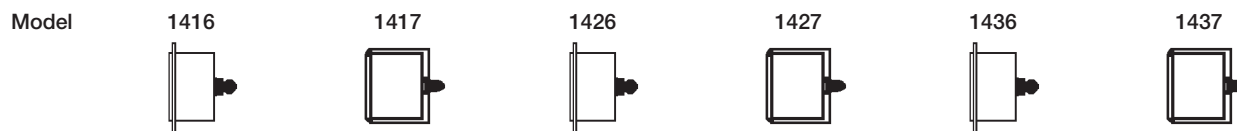
1417, 1427, 1437



All dimensions in mm

Models	Dimensions in mm									Panel cut-out
	ND	a ± 0.5	b ± 0.5	c ± 1	d1 ± 0.5	d2 ± 0.5	e ± 0.5	G	K	
1416	40	28.5	41.8	-	-	40-	4.5	G1/4 B	51	42.5 ± 0.5
1417	40	28.5	46.7	50	42.8	39	4.5	G1/4 B	-	42.5 ± 0.5
1426	50	29	46.5	-	-	50-	5	G1/4 B	60	51.5 ± 0.5
1427	50	29.3	50.3	61	53.8	49	4.9	G1/4 B	-	51.5 ± 0.5
1436	63	31.5	47.6	-	-	63	5	G1/4 B	75	64 ± 0.5
1437	63	31.8	52.6	91	67	61.9	5	G1/4 B	-	64 ± 0.5

Ordering information



Range (bar)	Part number					
-1...0	1416016902	1417016001	1426016001	1427016001	1436016001	1437016001
-1...0.6	1416042902	1417042901	1426042902	1427042901	1436042903	1437042901
-1...1.5	1416043902	1417043901	1426043902	1427043901	1436043903	1437043901
-1...3	1416044902	1417044901	1426044902	1427044901	1436044903	1437044001
-1...5	1416045902	1417045901	1426045902	1427045901	1436045903	1437045901
-1...9	1416046902	1417046901	1426046902	1427046901	1436046903	1437046901
-1...15	1416049902	1417049901	1426049902	1427049901	1436049903	1437049901
0...0.6			1426067902	1427067901	1436067903	1437067901
0...1	1416069902	1417069901	1426069902	1427069901	1436069903	1437069901
0...1.6	1416070902	1417070001	1426070902	1427070001	1436070001	1437070001
0...2.5	1416072902	1417072001	1426072902	1427072001	1436072001	1437072001
0...4	1416073902	1417073001	1426073001	1427073001	1436073001	1437073001
0...6	1416074001	1417074001	1426074001	1427074001	1436074001	1437074001
0...10	1416075001	1417075001	1426075001	1427075001	1436075001	1437075001
0...16	1416076001	1417076001	1426076001	1427076001	1436076001	1437076001
0...25	1416078902	1417078001	1426078001	1427078001	1436078001	1437078001
0...40	1416079902	1417079001	1426079902	1427079901	1436079001	1437079901
0...60	1416080902	1417080901	1426080902	1427080901	1436080903	1437080001
0...100	1416081902	1417081901	1426081902	1427081901	1436081903	1437081001
0...160	1416082902	1417082901	1426082902	1427082901	1436082903	1437082001
0...250	1416084902	1417084901	1426084902	1427084901	1436084903	1437084001
0...315	1416085902	1417085901	1426085902	1427085901	1436085903	1437085901
0...400	1416086902	1417086901	1426086902	1427086901	1436086903	1437086901