

# V4 Snap-action Switches *Up to 5A 250Vac*



- ▶ Snap action switches
- ▶ Ratings up to 5A, 250Vac
- ▶ Industry standard V4
- ▶ Changeover, NO or NC function
- ▶ Choice of terminals and actuators
- ▶ Further options include gold plated contacts, levers and terminals



5A 125Vac, 3A 250Vac 5E4



5A 125/250Vac UL file no. E45221



RoHS compliant by 3rd qtr 2005

μ contact gap.

## P V4 1 0 N 01 23 AAA

TERMINAL SWITCH SERIES VARIANT FUNCTION LEVER POSITION LEVER SHAPE OPERATING FORCE OTHER FEATURES

▶ TERMINAL	▶ SWITCH SERIES	▶ VARIANT	▶ FUNCTION	▶ LEVER POSITION
<p><b>P</b></p> <p>6.0 7.6 1.65 2.8 x 0.5</p>	<b>V4</b>	<b>1</b> Standard T85	<p><b>0</b></p> <p>CO ON-(ON) (momentary 1 side)</p>	<b>A</b> Standard ratio
<p><b>T</b></p> <p>3.4 3.2 Solder</p>				
<p><b>X</b></p> <p>4.0 1.2 PCB</p>				
<p><b>D</b></p> <p>4.8 8.4 RH PCB</p>				
<p><b>J</b></p> <p>4.8 8.4 LH PCB</p> <p>Viewed from non plunger end (NC terminal end)</p>				



PV410N9908



XV410A1023



JV410N0016



DV410A0323



XV410A0623



PV410N0016

**LEVER SHAPE**

**OP. FORCE**

**00** No lever

**01 03** Plain lever

**06** Roller lever

**10** Snake lever

**99** Domed actuator

(without lever)

**08** 80gms

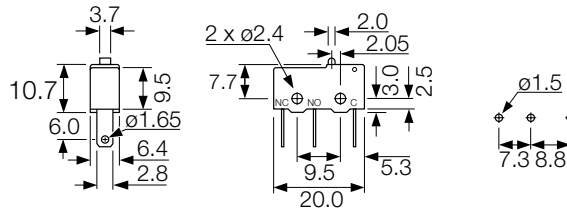
**16** 160gms

**23** 230gms

	01	03	06	10
Dim H	12.4	13.2	17.5	21.0
Dim L	18.5	24.8	16.5	39.4

Many alternative actuators are available  
Contact factory for details

**DIMENSIONS (mm)**



**TECHNICAL DATA**

Mechanical life	>1 million operations
Temperature rating	T85°C
Insulation resistance	>1000MΩ
Tracking resistance	175V
Contact Gap	0.5

**MECHANICAL DATA**

High at rest point**	9.0
Trip point**	8.4 ±0.3
Pre-travel	0.6 (max)
Movement differential	0.2 (max)
Overtravel	0.5 (min)

\*\*Measured from fixing hole centres to top of plunger

**MATERIALS**

Body, lid & Plunger	Thermoplastic UL94V-0
Plunger	Thermoplastic UL94V-0
Terminals	Plated brass
Moving contact arm	Phosphor bronze
Spring	Stainless steel
Contacts	Fine silver
Actuator/roller	Stainless steel

# V3 Snap-action Switches *Up to 16(4)A 250Vac*



- ▶ Snap action switches
- ▶ Ratings up to 16A, 250Vac
- ▶ Industry standard V3
- ▶ Changeover, NO or NC function
- ▶ Choice of terminals and actuators
- ▶ Further options include gold plated contacts, lever types and terminal options



16(4)A 250Vac 50E3



16A 125/250Vac 3/4hp T85 50E3 UL file no. E45221  
125V 1/2 HP, 250V 3/4 HP, 0.4A 125Vdc, 0.2A 250Vdc

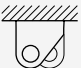
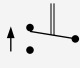
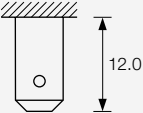
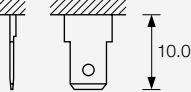
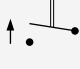
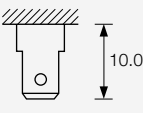
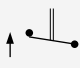
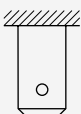


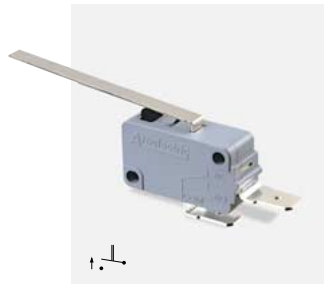
RoHS compliant by 3rd qtr 2005

μ contact gap.

**C V3 1 1 A 01 35 AAA**

TERMINAL SWITCH SERIES VARIANT FUNCTION LEVER POSITION LEVER SHAPE OPERATING FORCE OTHER FEATURES

▶ TERMINAL	▶ SWITCH SERIES	▶ VARIANT	▶ FUNCTION	▶ LEVER POSITION			
<b>T</b>  Solder	<b>V3</b>	<b>1</b> Standard T85	<b>0</b>  CO ON-(ON) (momentary 1 side)	<b>A</b> Standard ratio			
<b>C</b>  6.3 x 0.8							
<b>E</b>  4.8 x 0.5					<b>1</b>  NO (ON) - OFF (momentary ON)	<b>B</b> High ratio	
<b>H</b>  4.8 x 0.8					<b>2</b> High Temperature T125	<b>2</b>  NC ON - (OFF) (momentary OFF)	<b>N</b> No lever
<b>L</b>  RAST5 3 x 6.3 tabs on 5mm pitch							



CV311A0420



CV311N0005



TV311A0316



LV310N0010



CV312A1335



CV310N0010

**LEVER SHAPE**

<b>00</b>	No lever
<b>01</b> <b>02</b> <b>04</b>	 <p>Plain lever</p>
<b>03</b>	Snake lever
<b>12</b> <b>13</b>	Roller lever

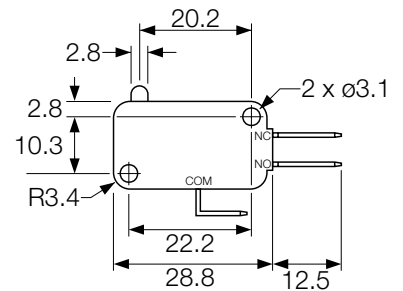
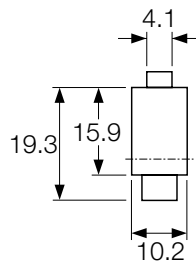
**OP. FORCE**

without lever
<b>05</b> 55gms
<b>10</b> 100gms
<b>20</b> 200gms
<b>35</b> 350gms

	01	02	03	04	12	13
Dim A	16.9	18.6	21.5	21.8	22.3	24.0
Dim B	24.2	35.7	32.7	59.2	21.5	34.0

Many alternative actuators are available.  
Contact factory for details.

**DIMENSIONS** (mm) (3 terminals shown)



**TECHNICAL DATA**

Mechanical life	>1 million operations
Operating Temperature	-25°C to +85°C
Insulation resistance	>1000MΩ
Tracking resistance	175V
Contact gap	0.6 (min)

**MECHANICAL DATA**

High at rest point**	15.9
Trip point**	14.7 ±0.5
Pre-travel	1.2 (max)
Movement differential	0.4 (max)
Overtravel	1.25 (min)

\*\*Measured from lower hole centre to top of plunger.

**MATERIALS**

Body, lid & Plunger	Thermoplastic UL94V-0
Terminals	Plated brass
Moving contact	Phosphor bronze silver plated
Spring	Beryllium copper
Contacts	Fine silver
Actuator/roller	Stainless steel

# Safety Cut-out Switches 16A 250Vac



- ▶ Safety cut-out switches
- ▶ Ratings up to 16A, 250V ac
- ▶ Snap action switches
- ▶ NC contacts
- ▶ Pendulum or lever tilt operation

Safety requirements for Portable Heaters can be met by the fitting of a safety cut-out switch. The heater will then turn off if overturned.



**C0320AA**  
15A 125/250Vac UL file no. E91274



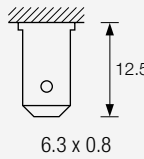
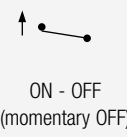
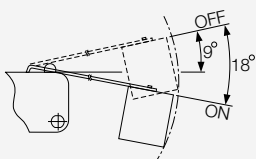
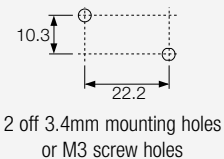
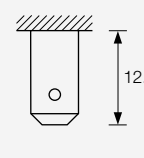
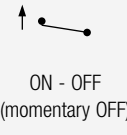
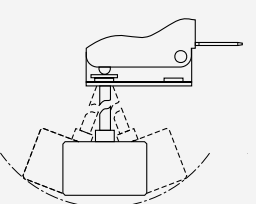
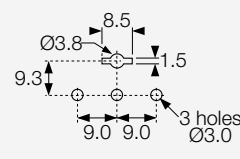
**C0320BB**  
16A 125/250Vac T85 50E3  
16A 250Vac 3/4hp T85 125Vac 1/2hp UL file no. E45221



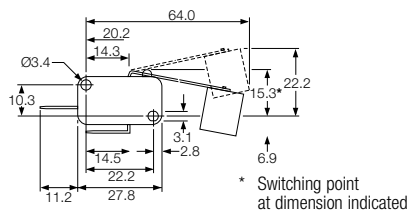
RoHS compliant by 3rd qtr 2005

μ contact gap.

## C0320AA - - - TERMINAL FUNCTION ACTUATOR MOUNTING

ORDER CODE	TERMINAL	FUNCTION	ACTUATOR	MOUNTING
<b>C0320AA</b>		 ON - OFF (momentary OFF)		 2 off 3.4mm mounting holes or M3 screw holes
<b>C0320BB</b>		 ON - OFF (momentary OFF)		 3 holes Ø3.0

### Dimensions (mm) C0320AA



### C0320BB

