

Features:

- ☑ integrated mains filter (class A)
- ☑ vector-oriented control algorithms
- ☑ automatic motor adaptation (auto-tuning)
- ☑ integrated PI controller
- ☑ Modbus and CAN open integrated
- ☑ max. output frequency 500Hz
- ☑ integrated braking chopper
- ☑ adaptable to various applications
- ☑ degree of protection IP21



Frequency Inverters
FUS 018 ... 220/S31
FUS 037 ... 1500/3S31



Function:

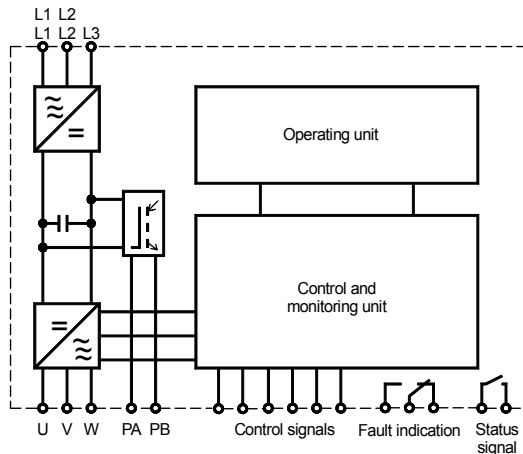
- ☑ speed control
- ☑ protection of motor and inverter
- ☑ 16 fixed frequencies
- ☑ automatic operating time limitation at low frequency
- ☑ multiple assignment of logic inputs
- ☑ management of external faults
- ☑ motor potentiometer

Typical Applications:

- conveying systems
- pumps and ventilators
- special-purpose machinery
- packaging machines
- textile machinery
- equipment of buildings

Upon Request:

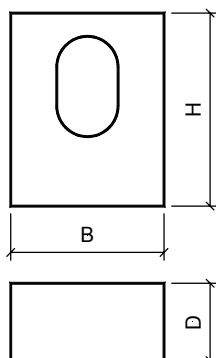
- ☑ Customized Enclosures



Technical Data	FUS .../S31							FUS .../3S31											
	018	037	055	075	110	150	220	037	055	075	110	150	220	300	400	550	750	1100	1500
Motor shaft power / kW	0.18	0.37	0.55	0.75	1.1	1.5	2.2	0.37	0.55	0.75	1.1	1.5	2.2	3	4	5.5	7.5	11	15
Mains voltage	single-phase 200V -15% ... 240V +10% 50Hz -5% ... 60Hz +5%							three-phase 380V -15% ... 500V +10% 50Hz -5% ... 60Hz +5%											
Output current / A	1.5	3.3	3.7	4.8	6.9	8	11	1.5	1.9	2.3	3	4.1	5.5	7.1	9.5	14.3	17	27.7	33
Peak current for 1min. / A	2.3	5	5.6	7.2	10.4	12	16.5	2.3	2.9	3.5	4.5	6.2	8.3	10.7	14.3	21.5	25.5	41.6	49.5
Control functions																			
Frequency setting range	0 – 500Hz																		
Torque boost	specific U/f – characteristics for a variety of applications																		
Acceleration and decel. time	0.1 – 999.9s																		
DC brake	start via external contact, braking current and braking duration adjustable																		
Frequency setpoint	setpoint potentiometer, 0 ... +10V, ±10V, 0-20mA, 4-20mA																		
Ambient / Storage temperature	-10°C ... +50°C / -25°C ... +70°C																		
Weight / kg	1.5	1.5	1.5	1.5	1.8	1.8	3.1	1.8	1.8	1.8	1.8	1.8	3.1	3.1	3.1	6.5	6.5	11	11
Order number	24010.23... 018 037 055 075 110 150 220							24020.40... 037 055 075 110 150 220 003 004 005 007 011 015											
Recommended mains filters (class B)	27006. 24009			27006. 24016		27006. 24022	27108. 40007			27108. 40014			27108. 40028		27108. 40049				

For line and motor reactors see accessories.

Dimensions:



	W [mm]	H [mm]	D [mm]
FUS 018/S31	72	145	130
FUS 037/S31	72	145	130
FUS 055/S31	72	145	140
FUS 075/S31	72	145	140
FUS 110/S31	105	143	150
FUS 150/S31	105	143	150
FUS 220/S31	140	184	150
FUS 037/3S31	105	143	150
FUS 055/3S31	105	143	150
FUS 075/3S31	105	143	150
FUS 110/3S31	105	143	150
FUS 150/3S31	105	143	150
FUS 220/3S31	140	184	150
FUS 300/3S31	140	184	150
FUS 400/3S31	140	184	150
FUS 550/3S31	180	232	170
FUS 750/3S31	180	232	170
FUS 1100/3S31	245	330	190
FUS 1500/3S31	245	330	190

Connection Diagram:

