

# Geared stepper motors

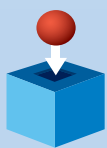
→ 0.5 Nm 5 and 7.5 Watts



## Specifications

	7.5 Watts	7.5 Watts	5 Watts	5 Watts
Type	82 924 0	82 924 0	82 914 5	82 914 0
Number of phases	2	4	2 / 4	2 / 4
<b>Ratios</b>				
10	82 924 020	82 924 028	•	•
20	82 924 022	82 924 030	•	•
25	•	•	•	•
50	•	•	•	•
100	•	•	•	•
250	•	•	•	•
500	•	•	-	-
<b>General characteristics</b>				
Stepper motor / Number of phases	82 920 001 / 2	82 920 012 / 4	82 910 501 / 2 82 910 502 / 4	82 910 001 / 2 82 910 008 / 4
Gearbox	81 021	81 021	81 021	81 021
Step angle (°)				
Maximum permitted torque from gearmotor under continuous conditions (N.m)	0.5	0.5	0.5	0.5
Axial load static (daN)	1	1	1	1
Radial load static (daN)	8	8	8	8
Absorbed power (W)	7.5	7.5	5	5
Coil temperature (°C)	120	120	120	120
Weight (g)	140	140	140	140
Wires length (mm)	250	250	250	250
Protection rating	IP40	IP40	IP40	IP40

## Product adaptations

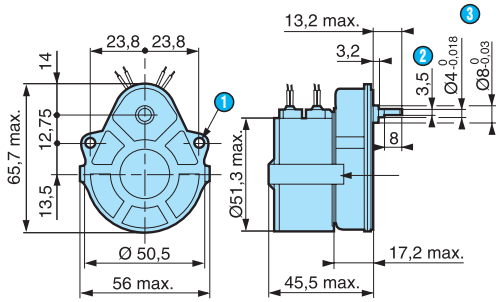


- Special output shafts
- Special supply voltages
- Special cable lengths
- Special output bearings
- Special connectors
- Special gearbox ratios
- Special mounting plate
- Special gear wheel material

To order, see page 13

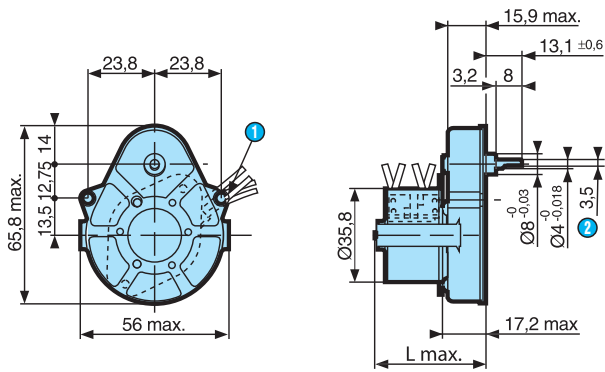
## Dimensions

82 924 0



- 1 2 fixing holes  $\text{Ø} 3,2$
- 2 3.5 across flat
- 3 (pushed-in shaft ←)

82 914 0 - 82 914 5

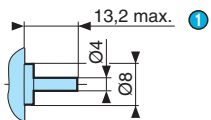


- 1 2 fixing holes  $\text{Ø} 3,2$
- 2 3.5 across flat

82 914 0 =  $L$  max. 39,5  
82 914 5 =  $L$  max. 42,7

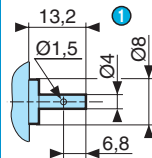
## Options

Optional shafts for 81 021  
79 200 967



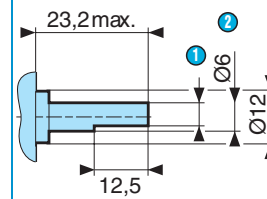
- 1 (Pushed-in shaft ←)

79 200 779



- 1 (Pushed-in shaft ←)

70 999 421  
SP 1295-10



- 1 (Pushed-in shaft ←)
- 2 5 across flat

# Geared stepper motors

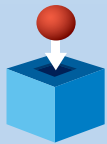
→ 2 Nm 5 and 7.5 Watts



## Specifications

	7.5 Watts	5 Watts	5 Watts
Type	82 929 0	82 919 5	82 919 0
Number of phases	2 / 4	2 / 4	2 / 4
<b>Ratios</b>			
25	●	●	●
50	●	●	●
100	●	●	●
250	●	●	●
<b>General characteristics</b>			
Stepper motor / Number of phases	82 920 001 / 2 82 920 012 / 4	82 910 501 / 2 82 910 502 / 4	82 910 001 / 2 82 910 008 / 4
Gearbox	81 033	81 033	81 033
Step angle (°)	7.5	15	7.5
Maximum permitted torque from gearmotor under continuous conditions (N.m)	2	2	2
Axial load static (daN)	1	1	1
Radial load static (daN)	10	10	10
Absorbed power (W)	7.5	5	5
Coil temperature (°C)	120	120	120
Weight (g)	260	140	230
Wires length (mm)	250	250	250
Protection rating	IP 40	IP 40	IP 40

## Product adaptations

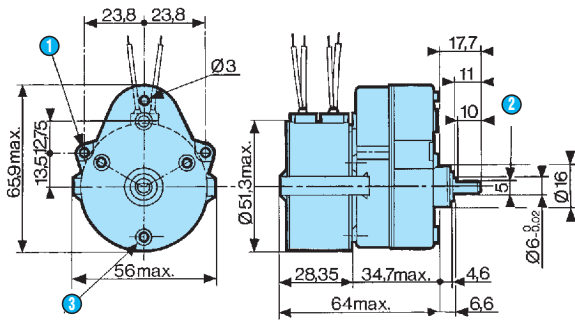


- Special output shafts
- Special supply voltages
- Special cable lengths
- Special output bearings
- Special connectors
- Special gearbox ratios
- Special mounting plate
- Special gear wheel material

To order, see page 13

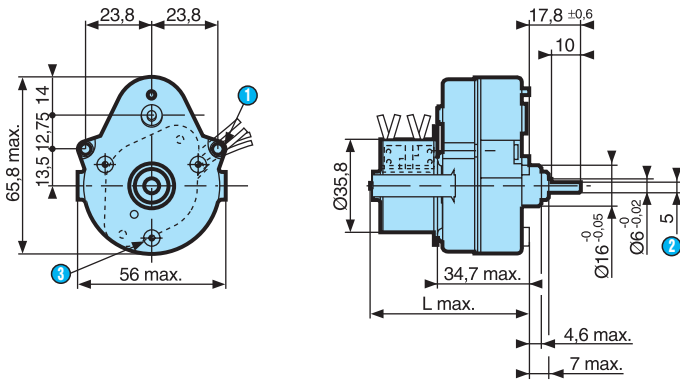
## Dimensions

82 929 0



- 1 2 fixing holes  $\varnothing$  3.2
- 2 5 across flat
- 3 3 mounting bosses  $\varnothing$  6.8 at  $120^\circ$  on radius = 19.5  
3 holes M3 depth 4.5

70 999 421  
SP 1295-10

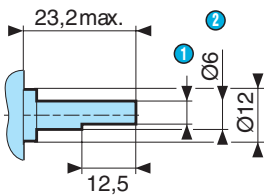


- 1 2 fixing holes  $\varnothing$  3.2
- 2 5 across flat
- 3 3 mounting bosses  $\varnothing$  6.8 at  $120^\circ$  on radius = 19.5 3 holes M3 depth 4.5

82 919 0 = L max. 58.5  
82 919 5 = L max. 60.2

## Options

70 999 421 SP 1295-10



- 1 (pushed-in shaft ←)
- 2 5 across flat

# Geared stepper motors

→ 3 Nm 2.5 and 3.5 Watts

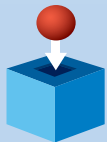
- Mechanical strength 3 Nm
- 2 and 4 phases



## Specifications

	2.5 Watts	2.5 Watts	3.5 Watts	3.5 Watts
Type	80 913 0	80 913 5	80 923 0	80 933 0
<b>Ratios</b>				
150	●	●	●	●
187.5	●	●	●	●
300	●	●	●	●
375	●	●	●	●
600	●	●	●	●
750	●	●	●	●
1200	●	●	●	●
2250	●	●	●	●
2400	●	●	●	●
3600	●	●	●	●
<b>General characteristics</b>				
Motor	82 910 0	82 910 5	82 920	82 930
Gearbox	81 023 0	81 023 0	81 023 0	81 023 0
Maximum permitted torque from gearmotor under continuous conditions (N.m)	3	3	3	3
Axial load static (daN)	2	2	2	2
Radial load static (daN)	3	3	3	3
Absorbed power (W)	2.5	2.5	3.5	3.6
Weight (g)	370	370	490	620
Wires length (mm)	250	250	250	250
Protection rating	IP00	IP00	IP00	IP00

## Product adaptations

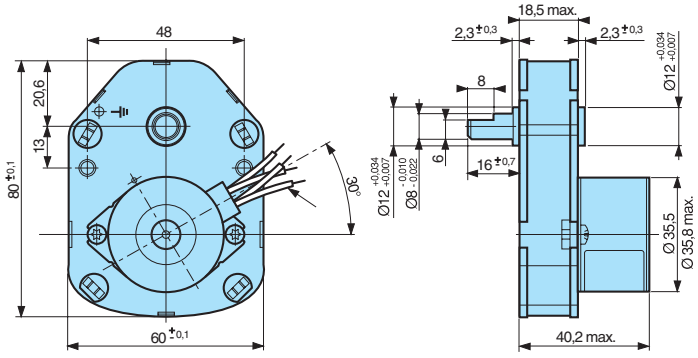


- Special output shafts
- Special cable lengths
- Special output bearings
- Special connectors
- Special gearbox ratios

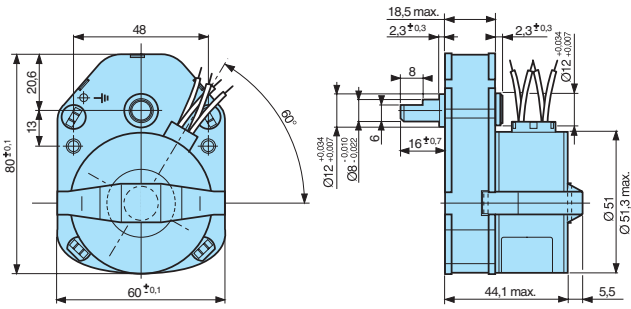
To order, see page 13

# Dimensions

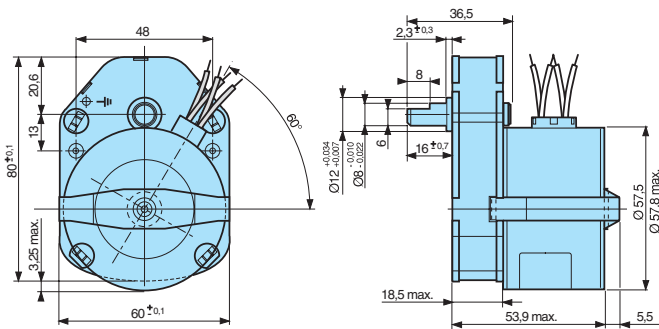
80 913 0/5



80 923 0



80 933 0



5

# Geared stepper motors

→ 5 Nm 5 and 7.5 Watts

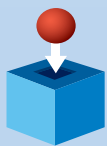
- Mechanical strength : 5 Nm
- 2 and 4 phases



## Specifications

	5 Watts	7.5 Watts	7.5 Watts
Type	80 917 0	80 927 0	80 927 0
Number of phases	2 / 4	2	4
<b>Ratios</b>			
12.5	●	80 927 019	80 927 020
25	●	●	●
31.25	●	●	●
41.66	●	●	●
62.5	●	●	●
83.33	●	●	●
125	●	●	●
250	●	80 927 006	●
500	●	●	●
750	●	●	●
2500	●	●	●
<b>General characteristics</b>			
Motor	82 910 0	82 920 001	82 920 012
Gearbox	81 037	81 037	81 037
Maximum permitted torque from gearmotor under continuous conditions (N.m)	5	5	5
Number of phases	2/4	2	4
Axial load static (daN)	2	2	2
Radial load static (daN)	3	3	3
Absorbed power (W)	5	7.5	7.5
Coil temperature (°C)	120	120	120
Weight (g)	410	530	530
Wires length (mm)	250	250	250
Protection rating	IP 40	IP 40	IP 40

## Product adaptations

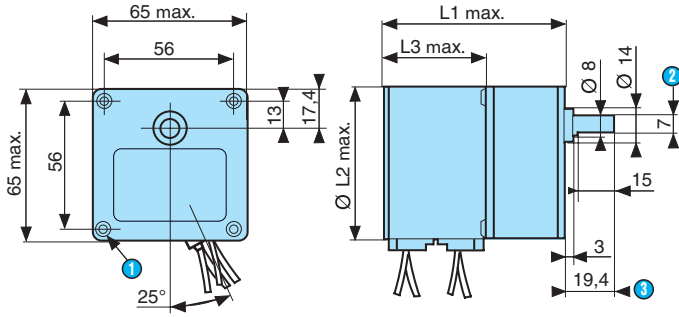


- Special output shafts
- Special cable lengths
- Special output bearings
- Special connectors
- Special gearbox ratios
- Special gear wheel material

To order, see page 13

## Dimensions

80 917 0 - 80 927 0

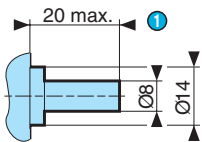


- ① 4 holes M4 depth 12
- ② across flat
- ③ (pushed-in shaft ←)

80 917 0 = L1 : 58.5 mm - ØL2 : 35.8 mm - L3 : 22.3 mm  
80 927 0 = L1 : 59.2 mm - ØL2 : 51.3 mm - L3 : 25.6 mm

## Options

Shaft 79 206 478



- ① (pushed-in shaft ←)



# Geared stepper motors

→ 5 Nm 12.5 Watts

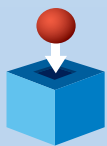
- Mechanical strength : 5 Nm
- 2 and 4 phases



## Specifications

	12.5 Watts	12.5 Watts
Type	80 947 0	80 947 0
Number of phases	2	4
<b>Ratios</b>		
12.5	80 947 019	80 947 020
25	80 947 001	80 947 010
31.25	•	•
41.66	•	•
62.5	•	•
83.33	•	•
125	•	•
250	•	•
500	•	•
750	•	•
2500	•	•
<b>General characteristics</b>		
Motor	82 940 002	82 940 015
Gearbox	81 037	81 037
Maximum permitted torque from gearmotor under continuous conditions (N.m)	5	5
Number of phases	2	4
Axial load static (daN)	2	2
Radial load static (daN)	3	3
Absorbed power (W)	12.5	12.5
Coil temperature (°C)	120	120
Weight (g)	860	860
Wires length (mm)	250	250
Protection rating	IP 40	IP 40

## Product adaptations

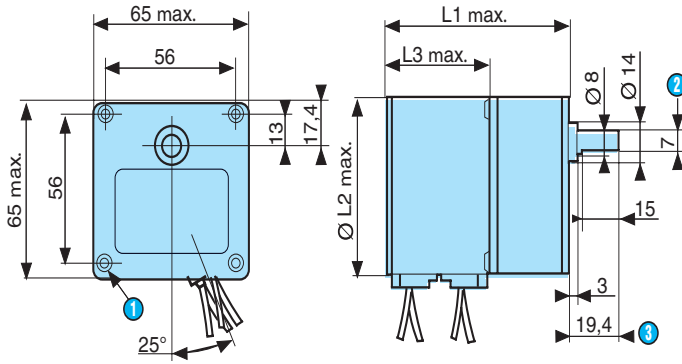


- Special output shafts
- Special cable lengths
- Special output bearings
- Special connectors
- Special gearbox ratios
- Special gear wheel material

To order, see page 13

## Dimensions

80 947 0

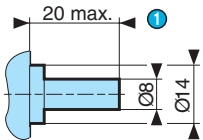


- ① 4 holes M4 depth 12
- ② across flat
- ③ (pushed-in shaft ←)

80 947 0 = L1 : 76.6 mm - ØL2 : 65.3 mm - L3 : 43 mm

## Options

Shaft 79 206 478



- ① (pushed-in shaft ←)