

Linear actuators -synchronous

→ 10 mm displacement - 230 Volts

- A range of digital linear actuators based upon synchronous motor technology. They offer a linear travel of 10 mm as standard and up to 35 mm upon request for versions with an anti-rotation device built-in. Linear step speed 0.833 or 1.67 mm per second.
- Output force between 27 and 45 N.

Specifications

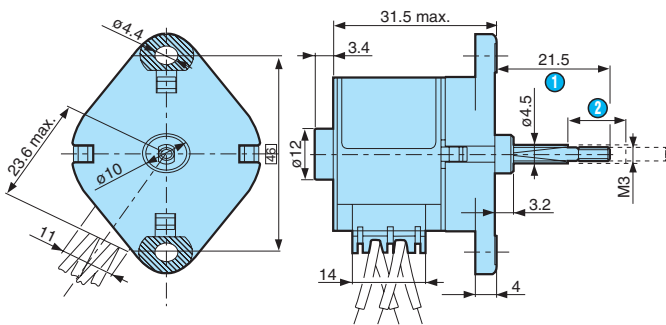
	Low speed - series connection	Low speed - parallel connection	High speed - series connection	High speed - parallel connection
Type	80 510 0	80 510 0	80 510 5	80 510 5

Accessories

Voltages/Frequencies	μF	V	Connection	Code
Capacitors motor 80 510 0				
230 V - 50 Hz	$0.33 \pm 10 \%$	400	Serie	26 231 801
230 V - 50 Hz	$0.1 \pm 10 \%$	700	Parallel	26 231 941
115 V - 50/60 Hz	$0.27 \pm 10 \%$	250	Parallel	26 231 851
24 V - 50 Hz	$8.2 \pm 10 \%$	70	Parallel	26 231 711
24 V - 60 Hz	$6.8 \pm 10 \%$	63	Parallel	26 231 708
Capacitors motor 80 510 5				
230 V - 50 Hz	$0.33 \pm 10 \%$	400	Serie	26 231 801
230 V - 50 Hz	$0.1 \pm 10 \%$	700	Parallel	26 231 941
115 V - 50/60 Hz	$0.27 \pm 10 \%$	250	Parallel	26 231 924
24 V - 50 Hz	$8.2 \pm 10 \%$	70	Parallel	26 231 711

Dimensions

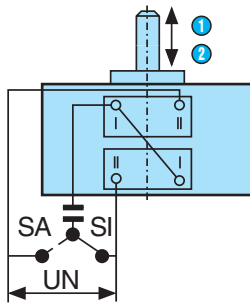
80 510 0 - 80 510 5



- ① Shaft in
- ② Travel

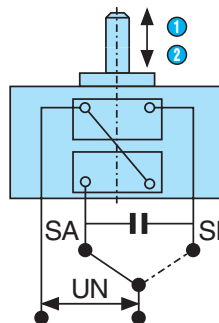
Connections

In series



- ① SA : Shaft out
- ② Si : Shaft in

In parallel



- ① SA : Shaft out
- ② Si : Shaft in

Other information

Electromagnetic compatibility :
 Conducted emissions : EN 55 014
 Radiated emissions : EN 55 022
 Protection index IP40 EN 60 034 / CEI 529
 Temperature limit when stalled Classe B EN 60 335-1 CEI 85