

AC fan

→ SP - DP - SF ranges

- air flow : 17 to 115 CFM
- acoustic noise : 29 to 50 dB A



Specifications

Type	Voltage (VAC)	Current (A)	Power (W)	Locked (A)	Speed (rpm)	Noise (dB A)	Air flow rate 1 CFM = 1.7 m³/h (CFM)	Outputs	Code
80 x 25 mm	115	0.12/0.11	12/10	0.14/0.13	2300/2750	29/33	17/21	wire	99 486 814
	220/230	0.07/0.07	14/13.5	0.10/0.09	2300/2750	29/33	17/21	wire	99 486 804
80 x 38 mm	115	0.15/0.13	14/12	0.15/0.14	2300/2750	31/35	23/30	wire	99 486 914
	220/230	0.07/0.06	14/12	0.11/0.10	2300/2750	31/35	23/30	wire	99 486 904
92 x 25 mm	115	0.12/0.11	13/12	0.14/0.13	2250/2750	36/39	29/36	wire	99 487 114
	115	0.12/0.11	13/12	0.14/0.13	2250/2750	36/39	29/36	tags	99 487 112
	220/230	0.07/0.06	14.5/14	0.10/0.09	2250/2750	36/39	29/36	wire	99 487 104
	220/230	0.07/0.06	14.5/14	0.10/0.09	2250/2750	36/39	29/36	tags	99 487 102
	220/230	0.07/0.06	14.5/14	0.10/0.09	2350/2850	37/40	29/36	tags	99 489 102
120 x 38 mm	115	0.21/0.18	20/18	0.23/0.21	2550/2900	43/48	85/105	wire	99 487 410
	115	0.21/0.18	20/18	0.23/0.21	2750/3050	45/50	87/107	wire	99 489 410
	220/230	0.12/0.11	20/19	0.14/0.12	2550/2900	43/48	85/105	wire	99 487 400
	220/230	0.12/0.11	20/19	0.14/0.12	2750/3050	45/50	87/107	wire	99 489 400
	115	0.13/0.11	11/11	0.14/0.11	2000/2200	36/38	70/76	wire	99 487 415
	115	0.13/0.11	11/11	0.14/0.11	2150/2300	37/39	72/78	wire	99 489 415
	220/230	0.08/0.06	10/10	0.10/0.08	2000/2200	36/38	70/76	wire	99 487 405
	220/230	0.08/0.06	10/10	0.10/0.08	2150/2300	37/39	72/78	wire	99 489 405
	220/240	0.14/0.12	22/21	0.16/0.14	2700/3100	44/49	95/115	Tags	99 487 420
	115	0.21/0.18	20/18	0.23/0.21	2550/2900	43/48	85/105	Tags	99 487 411
	115	0.21/0.18	20/18	0.23/0.21	2750/3050	45/50	87/107	Tags	99 489 411
	220/230	0.12/0.11	20/19	0.14/0.12	2550/2900	43/48	85/105	Tags	99 487 401
	220/230	0.12/0.11	20/19	0.14/0.12	2750/3050	45/50	87/107	Tags	99 489 401
	115	0.13/0.11	11/11	0.14/0.11	2000/2200	36/38	70/76	Tags	99 487 413
	115	0.13/0.11	11/11	0.14/0.11	2150/2300	37/39	72/78	Tags	99 489 413
220/230	0.08/0.06	10/10	0.10/0.08	2000/2200	36/38	70/76	Tags	99 487 403	
220/230	0.08/0.06	10/10	0.10/0.08	2150/2300	37/39	72/78	Tags	99 489 403	

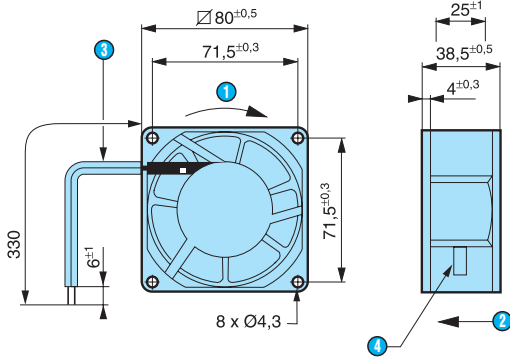
General characteristics

Frequency (Hz)	50/60
Bearings	sleeve
Material Plastic body	aluminium
Material Fan	PBT UL 94V-0
Motor : asynchronous with dephasing rings	✓
Insulation (IEC 664-1)	Class B
Approved UL and CSA, in progress	✓
Ball bearings on request for	92 x 25 mm 80 x 38 mm 80 x 25 mm
Weight 80 x 25 mm	260 g
Weight 80 x 38 mm	340 g
Weight 92 x 25 mm	280 g
Weight 120 x 38 mm	550 g
Minimum order quantity : 80 x 25 mm	50 units Packed in 1 box
Minimum order quantity : 80 x 38 mm	50 units Packed in 1 box
Minimum order quantity : 92 x 25 mm	50 units Packed in 1 box
Minimum order quantity : 120 x 38 mm	40 units Packed in 1 box
Other types : minimum quantity	500 units

To order, see page 13

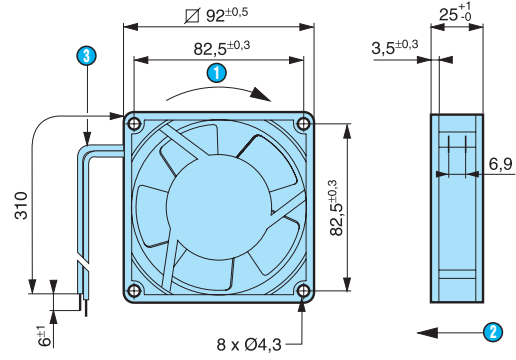
Dimensions

80 x 38 - 80 x 25



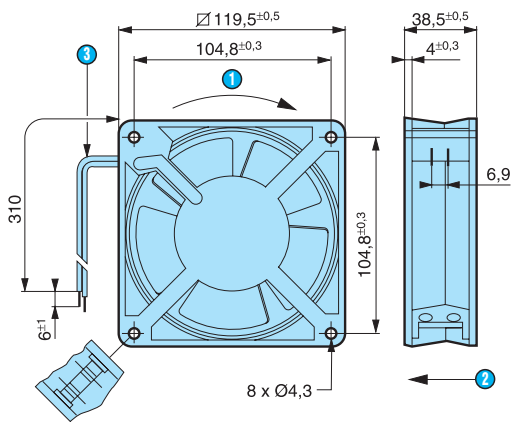
- ① Rotation
- ② Air flow
- ③ UL 1007 24 AWG
- ④ 2 earth tags

92 x 25



- ① Rotation
- ② Air flow
- ③ UL 1007 24 AWG

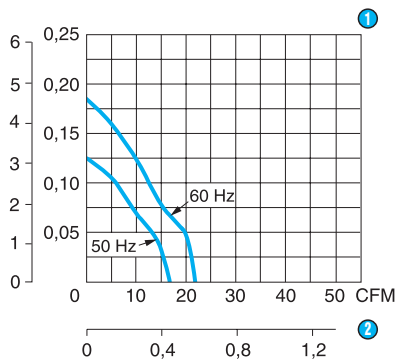
120 x 38



- ① Rotation
- ② Air flow
- ③ UL 1007 24 AWG

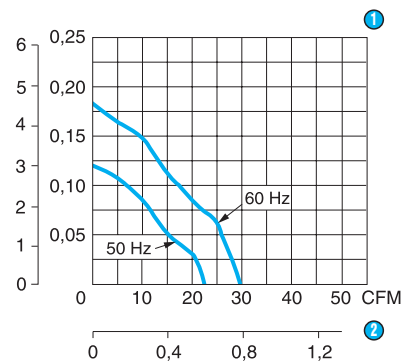
Air performance

99 486 814 - 99 486 804



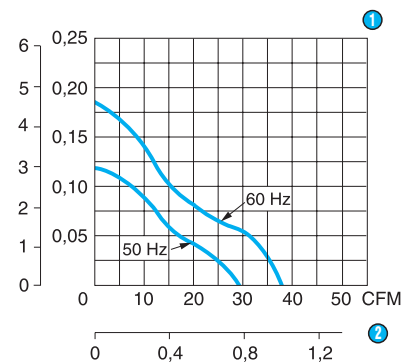
- ① Air flow
- ② m³/min

99 486 914 - 99 486 904



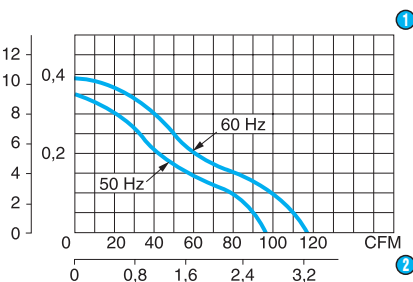
- ① Air flow
- ② m³/min

99 487 1



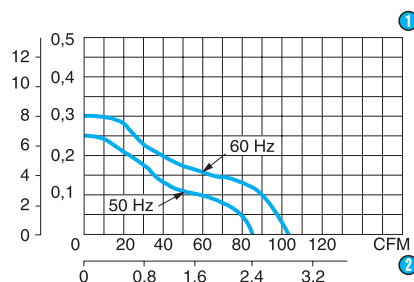
- ① Air flow
- ② m³/min

99 487 420



- ① Air flow
- ② m³/min

99 487 4 - 99 489 4



- ① Air flow
- ② m³/min