



63mm, all stainless steel,
glycerine filled

- Stainless steel case and measuring system
- Pressure ranges from -1...15 bar to 0...1000 bar

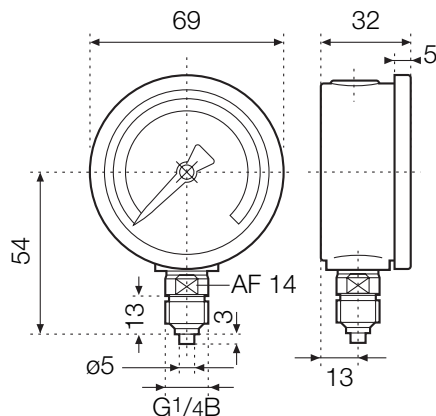
Technical specification

Nominal size (mm)	63
Accuracy class	1.6 to EN 837-1
Operating range	Constant load: up to full scale Overpressure: 1.3 x for short time
Case	Stainless steel 1.4301 (304)
Bezel	Stainless steel 1.4301 (304)
Window	Trogamid T
Dial	Aluminium white background, scale black
Pointer	Aluminium, black finish
Movement	Stainless steel 1.4301 (304)
Measuring element	
≤40 bar	Bourdon tube, 316L
≥60 bar	Helical tube, 316L

Pressure connection	Stainless steel 316L
Connection thread	G1/4 A (1/4" BSP)
Liquid filling	Glycerine
Temperature ranges	
Media	-20°C to +80°C
Ambient	-25°C to +60°C
Protection	IP65 to EN 60529/IEC 529
Weight approx (Kg)	2032 - 0.215 2033 - 0.205
Options	Dual scale bar/psi Connection threads Panel mounting Safety glass

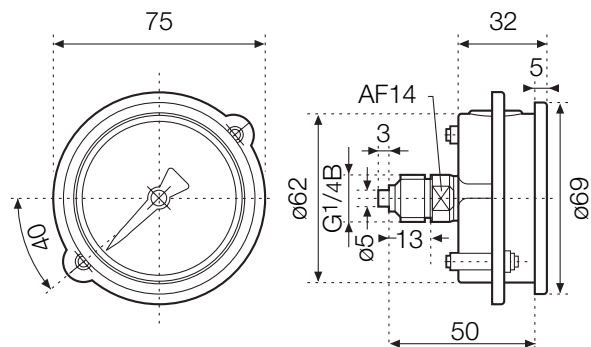
Dimensions

Type 2032



Type 2033

fitted with mounting bracket 1370 054 001 (not included)



All dimensions in mm

Ordering information

Model



2033



2032



2033



Range (bar)	Part number	
-1200...0 mbar	2032017901	2033017901
-1...0	2032016001	2033016001
-1...0.6	2032042901	2033042901
-1...1.5	2032043901	2033043901
-1...3	2032044001	2033044901
-1...5	2032045001	2033045001
-1...9	2032046901	2033046901
-1...15	2032049901	2033049901
0...1	2032069901	2033069901
0...1.6	2032070001	2033070001
0...2.5	2032072001	2033072001
0...4	2032073001	2033073001

Range (bar)	Part number	
0...6	2032074001	2033074001
0...10	2032075001	2033075001
0...16	2032076001	2033076001
0...25	2032078001	2033078001
0...40	2032079001	2033079001
0...60	2032080901	2033080901
0...100	2032081901	2033081901
0...160	2032082901	2033082901
0...250	2032084901	2033084901
0...400	2032086901	2033086901
0...600	2032087001	2033087001
0...1000	2032088901	2033088901