

BRUSHLESS DC geared motors

→ 30 Watts with right-angle gearbox

- Output perpendicular to motor,
- Ideal for low reduction ratios,
- Ideal for applications needing a compact motor,
- Silent operation,
- Irreversible with high ratios.

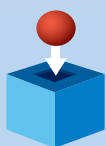


Specifications

Ratios (i)	Output speed (rpm)	Available torque (N.m)	1 stage
5	440	0,6	80 141 001
10	220	1,0	80 141 002
20	110	1,7	80 141 003
30	74	2,1	80 141 004
50	44	2,0	80 141 006

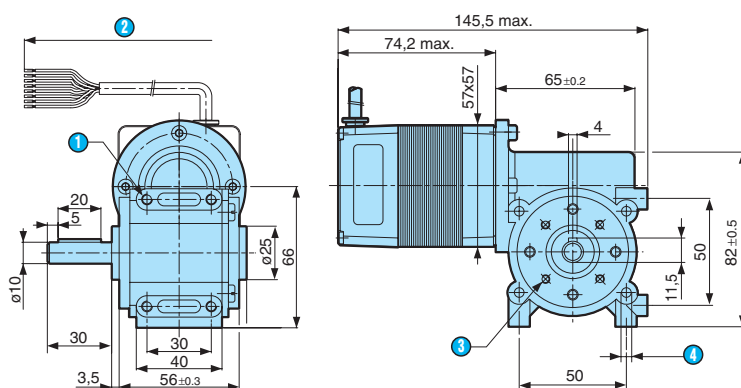
General characteristics	
Motor	80 140
Speed control	0-10 V and PWM
Axial load dynamic (N)	100
Radial load dynamic (N)	150
Temperature rise at 50 % cycle (°C)	45
Weight (g)	1 480

Product adaptations



- 2 quadrant speed regulation,
- Motors with hall effect sensors only,
- Adaptations on electronics,
- Special cable lengths,
- Special connectors fitted to the cable.

Dimensions



- ① 4 x M5 depth 8 mm
- ② Cable length 400 ± 10 mm
- ③ 4 x M4 on $\varnothing 36$ depth 8 mm
- ④ 4 x M5 depth 8 mm

User information

Respect the limits and precautions of use written in the 30 W motor section.
 Continuous operation may cause overheating of the gearbox.
 This gearbox is recommended for applications where the on time does not exceed 50 % of the time, please consult us.

BRUSHLESS DC geared motors

→ 30 Watts with Ø 62 planetary gearbox

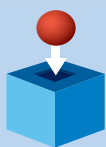
- Concentric output shaft,
- Ideal for high reduction ratios,
- Ideal for high torque applications,
- High efficiency,
- Reversible.



Specifications

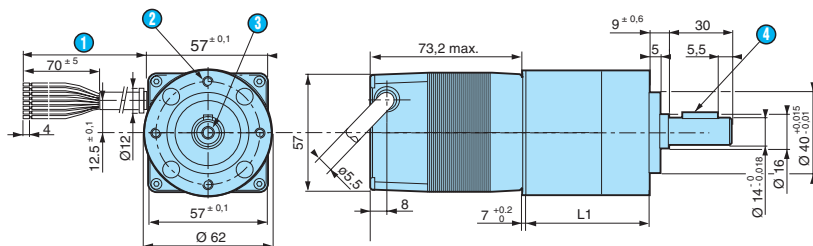
Ratios (i)	Output speed (rpm)	Available torque (N.m)	1 stage	2 stages	3 stages
7	316	0,8	80 149 604		
46	48	5		80 149 605	
308	7	30			80 149 606
General characteristics					
Motor			80 140	80 140	80 140
Speed control			0-10 V and PWM	0-10 V and PWM	0-10 V and PWM
Axial load dynamic (N)			50	70	120
Radial load dynamic (N)			240	360	520
Efficiency (%)			90	80	70
Casing temperature rise at 25°C			35	35	35
Weight (g)			1 600	2 000	2 400

Product adaptations



- 2 quadrant speed regulation,
- Motors with hall effect sensors only,
- Adaptations on electronics,
- Special cable lengths,
- Special connectors fitted to the cable.

Dimensions



- 1 Cable length 400 ± 10 mm
- 2 4 holes M5 depth 10 at 90° on $\text{Ø}52$
- 3 Fixation hole M5 depth 12.5
- 4 Key A5 x 5 x 18

L1 1 stage : 43.7 mm max.
 L1 2 stages : 59.7 mm max.
 L1 3 stages : 75.2 mm max.

User information

Respect the limits and precautions of use written in the 30W brushless motor section

BRUSHLESS DC geared motors

→ 80 Watts with right-angle gearbox

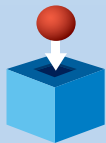
- Output perpendicular to motor,
- Ideal for low reduction ratios,
- Ideal for applications needing a compact motor,
- Silent operation,
- Irreversible with high ratios.



Specifications

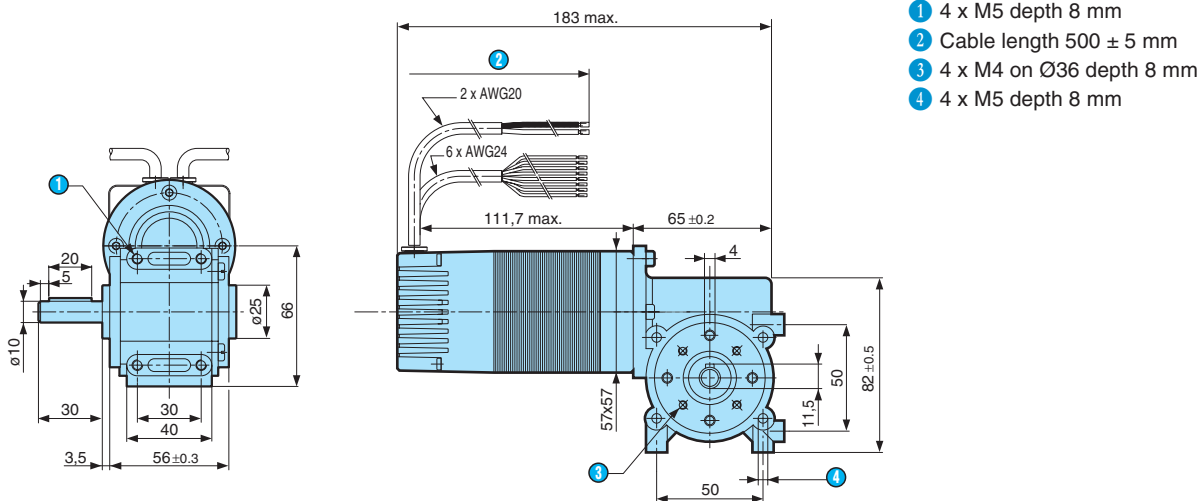
Ratios (i)	Output speed (rpm)	Available torque (N.m)	80 Watts PWM control	80 Watts 0-10 V control
5	650	1,0	80 181 001	80 181 010
10	325	1,7	80 181 002	80 181 011
20	163	2,9	80 181 003	80 181 012
30	108	3,5	80 181 004	80 181 013
50	65	3,4	80 181 006	80 181 015
General characteristics			80 180	80 180
Motor			PWM	0-10 V
Speed control			10	100
Axial load dynamic (daN)			15	150
Radial load dynamic (daN)			45	45
Temperature rise at 50 % cycle (°C)			1 920	1 920
Weight (g)				

Product adaptations



- 2 quadrant speed regulation,
- Motors with hall effect sensors only,
- Adaptations on electronics,
- Special cable lengths,
- Special connectors fitted to the cable.

Dimensions



User information

Respect the limits and precautions of use written in the 80 W motor section.
 Continuous operation may cause overheating of the gearbox.
 This gearbox is recommended for applications where the on time does not exceed 50 % of the time, please consult us.

BRUSHLESS DC geared motors

→ 80 Watts with Ø 81 planetary gearboxes - PWM control

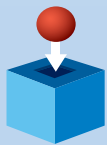
- Concentric output shaft
- Ideal for high reduction ratios
- Ideal for high torque applications
- High efficiency
- Reversible



Specifications

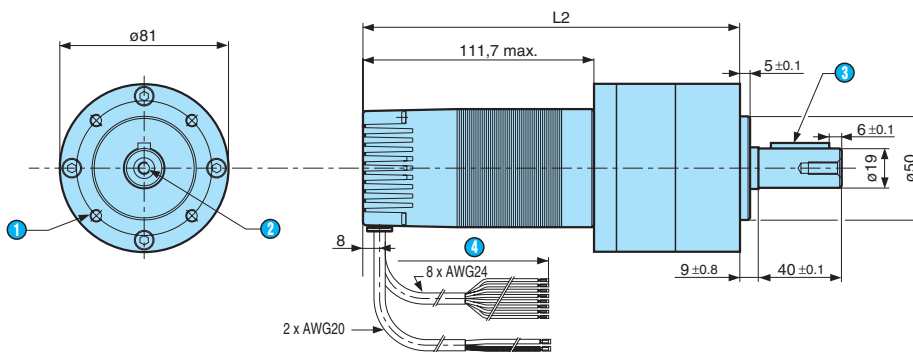
Ratios (i)	Output speed (rpm)	Available torque (N.m)	1 stage	2 stages	3 stages
5	650	1	80 189 701		
27	120	4,5		80 189 702	
139	23	20			80 189 703
General characteristics			1 stage	2 stages	3 stages
Motor			80 180	80 180	80 180
Speed control			PWM	PWM	PWM
Axial load dynamic (N)			80	120	200
Radial load dynamic (N)			200	300	500
Efficiency (%)			80	70	60
Casing temperature rise at 25°C			35	35	35
Weight (g)			3 200	3 900	4 600

Product adaptations



- 2 quadrant speed regulation,
- Motors with hall effect sensors only,
- Adaptations on electronics,
- Special cable lengths,
- Special connectors fitted to the cable.

Dimensions



- 1 4 holes M6 x 12 on Ø65
- 2 Fixing hole M6 x 16
- 3 Cable length 500 ±15 mm
- 4 Key A6 x 6 x 28 according to DIN6885

L2 1 stage : 182 mm max.
 L2 2 stages : 203.9 mm max.
 L2 3 stages : 226 mm max.

User information

Respect the limits and precautions of use written in the 80W brushless motor section.

BRUSHLESS DC geared motors

→ 80 Watts with Ø 81 planetary gearbox - 0-10 V control

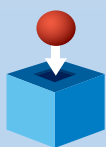
- Concentric output shaft,
- Ideal for high reduction ratios,
- Ideal for high torque applications,
- High efficiency,
- Reversible.



Specifications

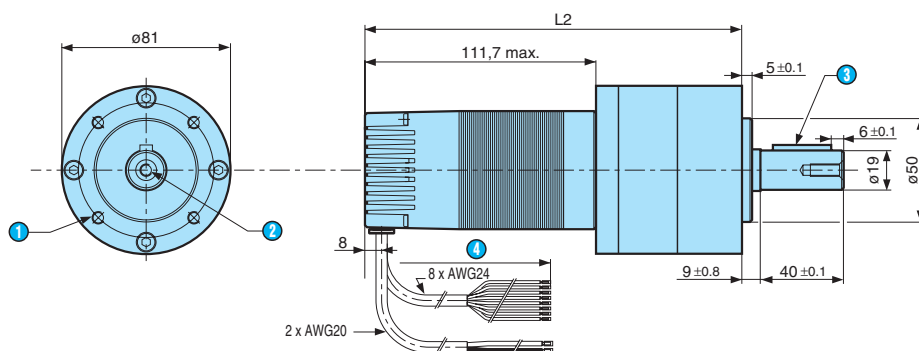
Ratios (i)	Output speed (rpm)	Available torque (N.m)	1 stage	2 stages	3 stages
5	650	1	80 189 704		
27	120	4,5		80 189 705	
139	23	20			80 189 706
General characteristics					
Motor			80 180	80 180	80 180
Speed control			0-10 V	0-10 V	0-10 V
Axial load dynamic (N)			80	120	200
Radial load dynamic (N)			200	300	500
Efficiency (%)			80	70	60
Casing temperature rise at 25°C			35	35	35
Weight (g)			3 200	3 900	4 600

Product adaptations



- 2 quadrant speed regulation,
- Motors with hall effect sensors only,
- Adaptations on electronics,
- Special cable lengths,
- Special connectors fitted to the cable.

Dimensions



- ① 4 holes M6 x 12 x on Ø65
- ② Fixing hole M6 x 16
- ③ Cable length 500 ± 15 mm
- ④ Key A6 x 6 x 28 according to DIN6885

L2 1 stage : 182 mm max.
 L2 2 stages : 203.9 mm max.
 L2 3 stages : 226 mm max.

User information

Respect the limits and precautions of use written in the 80W brushless motor section.