



Introduction

AS-Interface is a **low cost field** bus designed to operate with a **2-wire cable** carrying data and power over a distance of up to 100 m. AS-Interface is particularly suitable for lower levels of plant automation where simple field devices (so called slaves) need to interoperate in a stand-alone local area automation network controlled by a PC or a higher level field bus.

AS-Interface supports 1 master and up to 62 slaves to be connected; user modules (intelligent slave with a built-in interface chip) can accommodate up to 4 inputs or outputs each.

Connected slaves are polled constantly by the master transmitting data and parameters with each polling process at a maximum response time of 5 msec.

Fewer connected devices mean faster cycle time. A safe communication even in heavy EMC environment is guaranteed by AS-Interface security mechanisms.

AUER is member of the AS-Interface® association.



AS-Interface implementation possibilities for AUER products

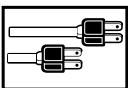
(Signal towers modulSIGNAL50 and modulSIGNAL70 and WLK/FLK beacons)

1. AS-Interface in the pole connection box

- ▶ up to 4 modules or same voltage independently addressable
- ▶ external power supply (up to 250 V AC)
- ▶ 4 pin rounded plug (M12)
- ▶ protection class IP 65

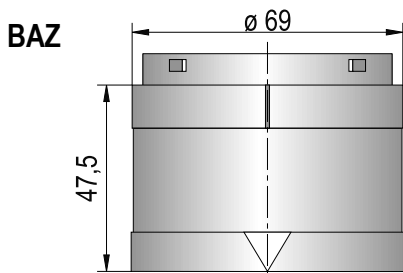
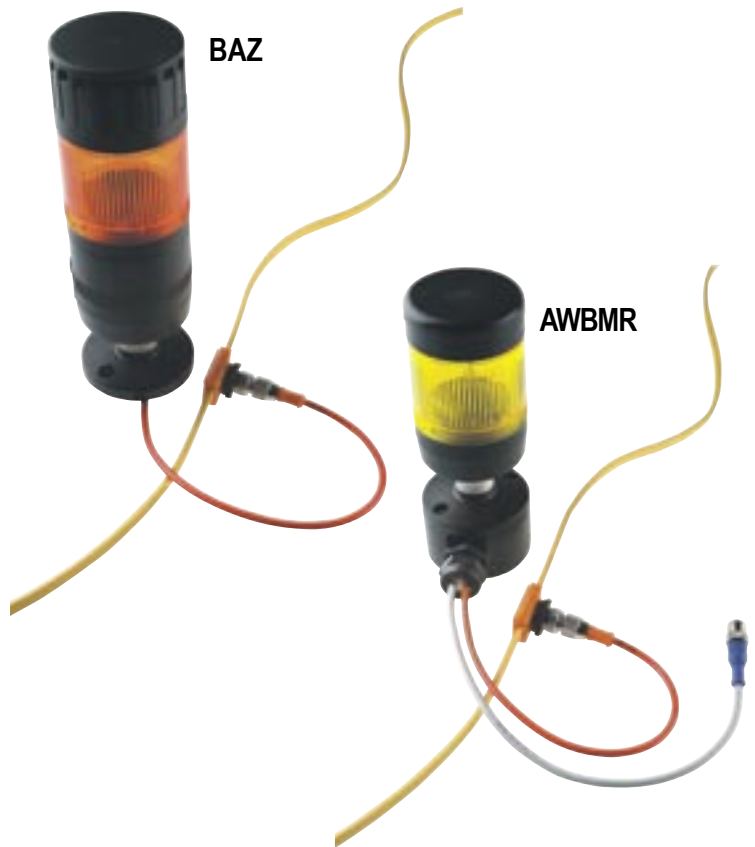
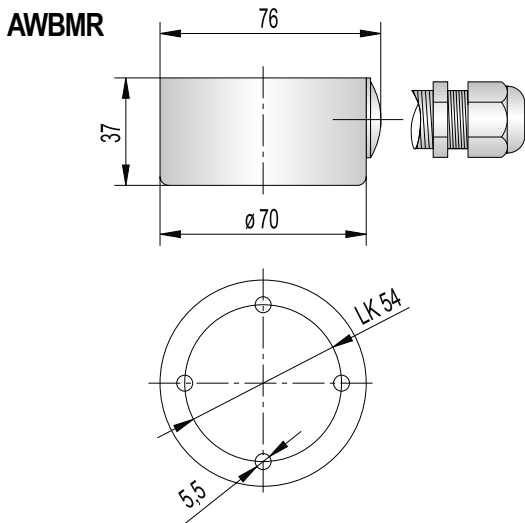
2. AS-Interface as first module of a modulSIGNAL70 signal tower (type BAZ)

- ▶ fast and easy upgrade possibility of existing signal towers into AS-Interface
- ▶ up to 4 of any module with 24 V nominal current addressable high (maximum) nominal current of all at the same time operated modules: 600 mA
- ▶ reduced installation cost – no external power source (power supply via AS-Interface cable)



Technical data

Type	AS-Interface in pole connection box	AS-Interface as first module of a signal tower (type BAZ)
Housing	polycarbonate, grey or black	
Lens material	polycarbonate	
Weight	pls. refer to general weight list on page 156-159	
Temperature range	-25 °C to +50 °C	
ID-Code	F _n	
IO-Code	8 _n	
Nominal current	80 mA	650 mA
Voltage range	24 - 31,6 V	18,5 - 31,6 V
Cable entry	2 x 4 - 6 mm	
Power supply	external, 12 - 250 V AC max. 2 A per module	via AS-Interface cable
Exits-switches	4, relays	4, electronic



Lenght code for tubes				L
1	50 mm	5	500 mm	
2	100 mm	6	600 mm	
3	250 mm	7	800 mm	
4	400 mm			



Order data

Type	AS-Interface	Order No.	
		Housing grey	Housing black
External power supply modulSIGNAL70			
AWBMR	AS-Interface pole connection box for horizontal mounting and pole mount base on aluminium tube with plastic foot	201 30L 520	201 70L 520
AVBMR	AS-Interface pole connection box for vertical mounting and pole mount base on aluminium tube with plastic foot	201 31L 520	201 71L 520
modulSIGNAL50			
AWVMR	AS-Interface pole connection box for horizontal mounting and pole mount base on aluminium tube with plastic foot	790 14L 520	791 54L 520
AVVMR	AS-Interface pole connection box for vertical mounting and pole mount base on aluminium tube with plastic foot	790 15L 520	791 55L 520
WLK			
AWBRW	AS-Interface pole connection box for horizontal mounting and pole mount base on aluminium tube with plastic foot	820 10L 520	820 50L 520
AVBRW	AS-Interface pole connection box for vertical mounting and pole mount base on aluminium tube with plastic foot	820 11L 520	820 51L 520
FLK			
AWBRF	AS-Interface pole connection box for horizontal mounting and pole mount base on aluminium tube with plastic foot	840 12L 520	840 52L 520
AVBRF	AS-Interface pole connection box for vertical mounting and pole mount base on aluminium tube with plastic foot	820 13L 520	820 53L 520
Internal power supply modulSIGNAL70			
BAZ	AS-Interface module for internal power supply, 24 V	280 100 510	280 500 510