

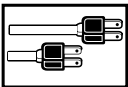
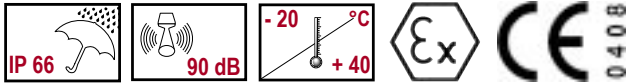
Explosion Proof Audible Telephone Call Signalling Sounder AS1



II 2 G EEx em [ib] IIC T6

Features

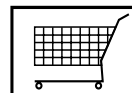
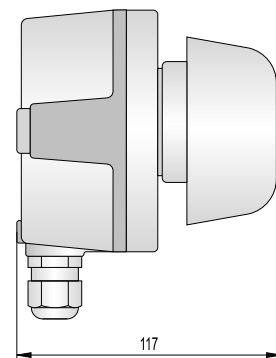
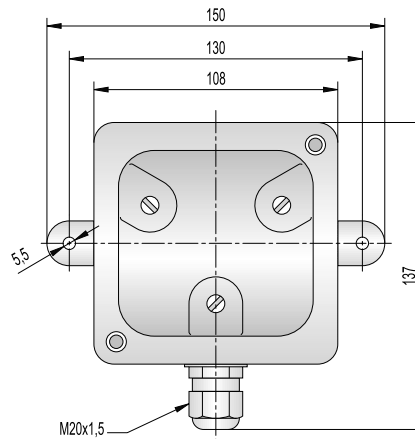
- explosion proof telephone call sounder for applications in industrial explosion endangered areas
- tone types and tone frequencies selectable via DIP switch
- power supply via telephone call voltage
- works independently also during power failures



Technical data

Type	AS1
Housing, Colour	aluminium die cast, black upper part polycarbonate
Mounting	wall or ceiling
Weight	0,9 kg
Call voltage	32 V AC - 75 V AC
Branch exchange voltage	0 V DC - 63 V DC
Input impedance	at 25 Hz $Z \geq 8 \text{ k}\Omega$ at 50 Hz $Z \geq 4 \text{ k}\Omega$
Acoustic signal device	loudspeaker
Tone types	single-/two-/three or wobble tone selectable via DIP-switch
Tone frequencies	5 to 20 Hz in 4 settings selectable via DIP-switch
Terminal	1,5 mm ² single or fine wire
Cable entry	1 x M20x1,5
Insulation class	I
Equipotential bonding	connection inside housing
Current intensity	$IK \leq 3 \text{ A}$
Approval	BVS 03 ATEX E430

Tone setting			
Tone Type	DIP-Switch	Tone Sequence/Tone Sequence Frequency	
Single tone		180 ms on	70 ms off
		120 ms on	50 ms off
		60 ms on	25 ms off
		continuous tone	
Two tone 931-1.253 Hz		5 Hz	
		10 Hz	
		15 Hz	
		20 Hz	
Three tone 800-1.067-1.333 Hz		5 Hz	
		10 Hz	
		15 Hz	
		20 Hz	
Wobble tone		1,8 Hz	
		3,6 Hz	
		3,9 Hz	
		7,8 Hz	



Order data

Type	Order No.	Description
AS1	410 100 004	Ex-proof audible telephone call signalling sounder