

KLH-KDH

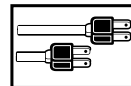
HMK



push button for easy opening/locking of horn

Features

- ▶ electro-mechanical horns in smaller design
- ▶ for universal audible applications
- ▶ models with (KLH) or without cone (KDH, HMK)
- ▶ attractive price-performance ratio
- ▶ wide offering of standard and special voltages
- ▶ special lift-alarm models widths reduced nominal current
- ▶ 2 mounting widths

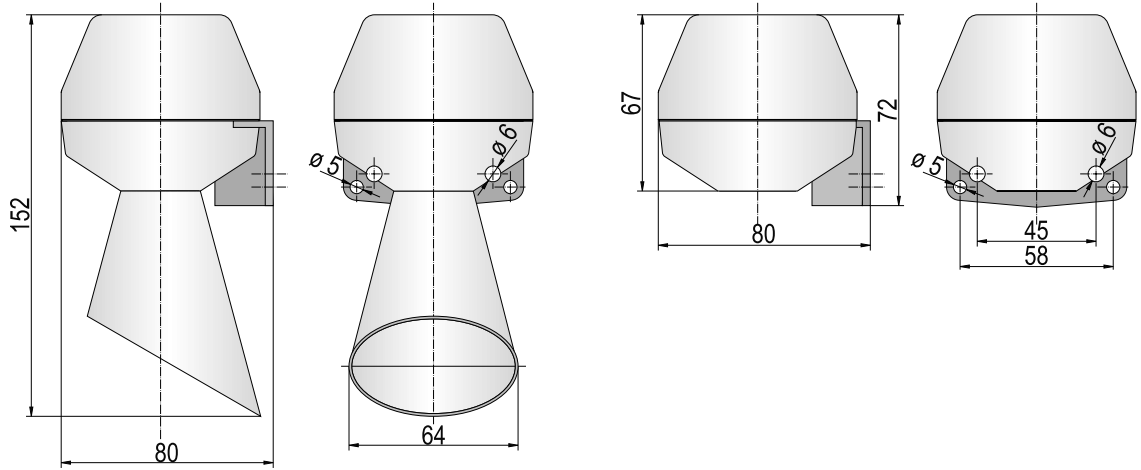


Technical data

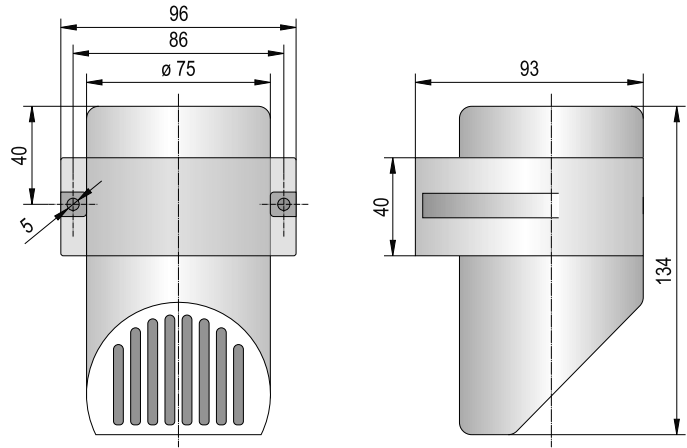
Type	KLH	KDH	HMK
Housing, Colour	ABS, grey		
Terminal	up to 2,5 mm ²		
Cable entry	6,5 - 15 mm		
Cable conduit	surface or buried		
Mounting	sound outlet downwards		
Duty cycle factor	100 %		
Protection class	IP 43 NEMA type 2		
Radio noise suppression	acc. to CENELEC EN 55014		
Temperature range	-20 °C to +50 °C		
Sound pressure	88 - 92 dB		95 dB
Weight	180 g	150 g	240 g



KLH-KDH



HMK



Order data

Nominal voltage (V)	Hz	Order No.				
		KLH (with cone)	KDH (without cone)	Nominal current (A)	HMK (without cone)	Nominal current (A)
8 V AC	50	710 100 103	710 000 103	0,350	711 000 103	1,230
12 V AC		710 100 104	710 000 104	0,180	711 000 104	0,600
24 V AC		710 100 105	710 000 105	0,080	711 000 105	0,300
42 V AC		710 100 107	710 000 107	0,060	711 000 107	0,180
48 V AC		710 100 108	710 000 108	0,050	711 000 108	0,150
60 V AC		710 100 109	710 000 109	0,040	711 000 109	0,120
110 V AC		710 100 110	710 000 110	0,020	711 000 110	0,070
230 V AC		710 100 113	710 000 113	0,010	711 000 113	0,030
6 V DC		710 100 003	710 000 003	0,280	711 000 003	0,410
12 V DC		710 100 004	710 000 004	0,120	711 000 004	0,200
24 V DC		710 100 005	710 000 005	0,060	711 000 005	0,110
48 V DC		710 100 008	710 000 008	0,030	711 000 008	0,055
60 V DC		710 100 009	710 000 009	0,020	711 000 009	0,044
110 V DC	710 100 010	710 000 010	0,010	711 000 010	0,240	
220 V DC	710 100 013	710 000 013	0,007	711 000 013	0,012	
		KDH-L (lift alarm)				
6 V DC			710 030 003	0,065		