



KLL – KLF

KDL – KDF

**KLL – KDL**



Steady light (GL)



LED-Steady light (LLL)



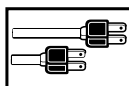
LED-Flashing light (LLB)

**KLF – KDF**



Strobe light

push button for easy opening

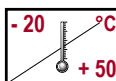


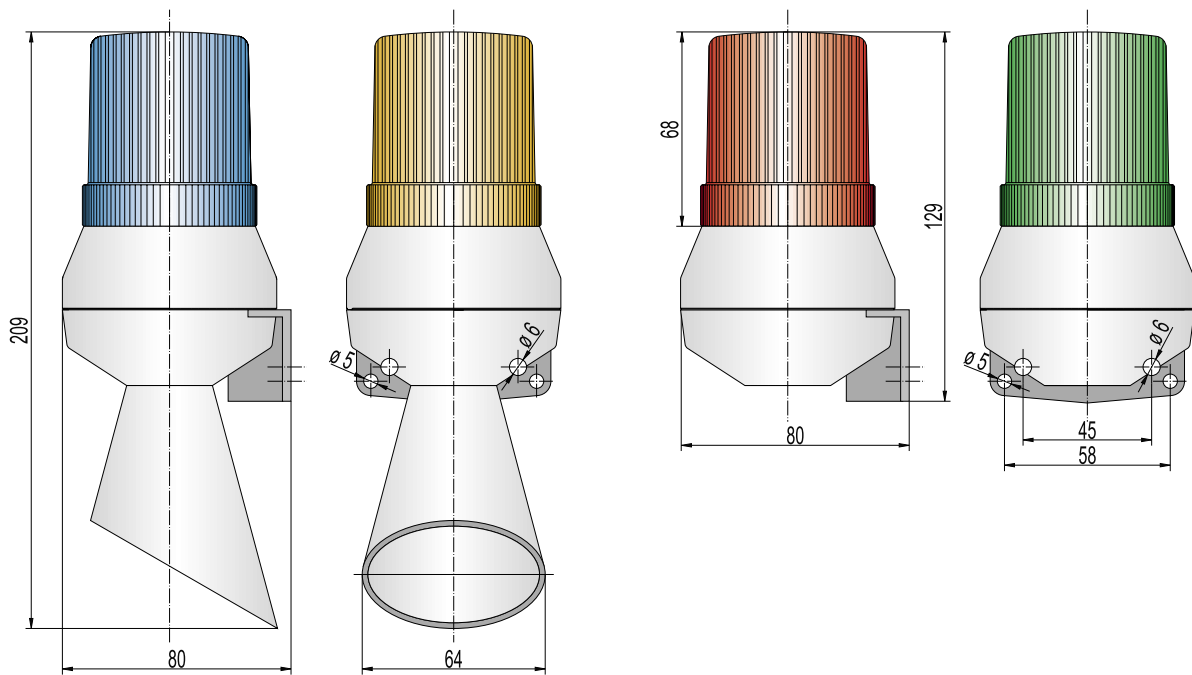
**Technical data**

**Features**

- ▶ combination of an electromechanical horn with signal beacon or strobe beacon
- ▶ for universal visual-audible applications
- ▶ Signal beacon Ø 60mm
- ▶ beacon options:  
 steady light with bulb or LED-bulb (LLL)  
 flashing light with LED-bulb (LLB)  
 strobe light
- ▶ models with or without cone
- ▶ sound and light separately switchable
- ▶ attractive price/performance ratio
- ▶ 2 mounting widths

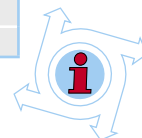
Type	KLL - KDL	KLF - KDF
Housing, Colour	ABS, grey	
Lens colour	amber, red, clear, blue, green, yellow	
Cable entry	6,5 - 15 mm	
Cable conduit	surface or buried	
Mounting	sound outlet downwards	
Duty cycle factor	100 %	
Protection class	IP 43 NEMA type 2	
Radio noise suppression	acc. to CENELEC EN 55014	
Terminals	up to 2,5 mm <sup>2</sup>	
Socket	BA 15 d	
Temperature range	-20 °C to +50 °C	
Sound pressure	88 - 92 dB	
Strobe energy		1 J
Flashing frequency		1,4 Hz
Lifetime		min. 10 Mio. flashes
Weight	220 - 200 g	240 - 260 g





## Order data

Type	Nominal voltage (V)	Hz	Order No.		Nominal current (A) incl. bulb	ORDER DATA ACCESSORIES			
			KLL (with cone)	KDL (without cone)		Type	Nominal voltage (V)	Order No.	
Mini horn - Signal beacon AC	12 V AC	50	710 11C 104	710 01C 104	0,75	<b>Bulbs BA15d</b>			
	24 V AC	50	710 11C 105	710 01C 105	0,4	GL01	12 V 5 W	890 010 904	
	42 V AC	50	710 11C 107	710 01C 107	0,25	GL02	24 V 7 W	890 010 905	
	48 V AC	50	710 11C 108	710 01C 108	0,2	GL03	48 V 7 W	890 010 908	
	60 V AC	50	710 11C 109	710 01C 109	0,15	GL04	60 V 7 W	890 010 909	
	110 V AC	50	710 11C 110	710 01C 110	0,08	GL05	110/120 V 7 W	890 010 910	
	230 V AC	50	710 11C 113	710 01C 113	0,04	GL06	230/240 V 7 W	890 010 913	
	120 V AC	60	710 11C 210	710 01C 210	0,07	<b>LED-bulbs BA15d</b>			
Mini horn - Signal beacon DC	12 V DC		710 11C 004	710 01C 004	0,7	<b>Steady light</b>			
	24 V DC		710 11C 005	710 01C 005	0,35	LLL	12 V AC/DC	893 00C 404	
	48 V DC		710 11C 008	710 01C 008	0,2		24 V AC/DC	893 00C 405	
	60 V DC		710 11C 009	710 01C 009	0,15		48 V AC/DC	893 00C 408	
	110 V DC		710 11C 010	710 01C 010	0,08		110/120 V AC	893 00C 310	
	220 V DC		710 11C 013	710 01C 013	0,04		230/240 V AC	893 00C 313	
	Mini horn - Strobe beacon	12 V DC		710 12C 004	710 02C 004	0,30	<b>Flashing light</b>		
		24 V DC		710 12C 005	710 02C 005	0,17	LLB	12 V AC/DC	893 01C 404
120 V AC		60	710 12C 210	710 02C 210	0,04		24 V AC/DC	893 01C 405	
230 V AC		50	710 12C 113	710 02C 113	0,025		48 V AC/DC	893 01C 408	



### NOTE:

Light sources have to be ordered separately. (pls. refer to order data accessories)

### Colour code for lens

Colour code for lens		C	
1	amber	5	blue
2	red	6	green
4	clear	7	yellow