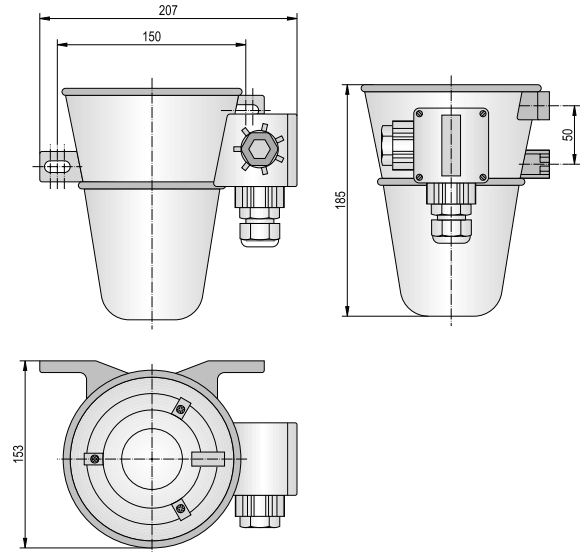
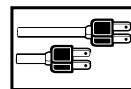


Loudspeaker Set LS2



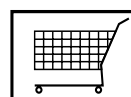
Features

- ▶ loudspeaker enables loud rendition of ringer sound and of receiving signal in operating modes „open listening“ and „handsfree“
- ▶ volume adjustable with +/- keys on the SafeTel
- ▶ set contents:
 - dynamic loudspeaker in plastic housing with cable gland M20x1,5 (IP 66)
 - cable gland is located in connection chamber for connection of loudspeaker cable to SafeTel



Technical data

| Type | LS2 |
|------------------|--|
| Housing, Colour | polyamid 12, black |
| Mounting | wall or ceiling |
| Weight | 1,1 kg |
| Rated impedance | 45 Ω |
| Rated power | 300 mW |
| Max. volume | 93 dB ringer 81 dB open listening/handsfree |
| Terminal | up to 2,5 mm ² |
| Cable entry | 1 x M20x1,5 |
| Insulation class | II |



Order data

| Type | Order No. | Description |
|------|-------------|-----------------|
| LS2 | 410 200 003 | Loudspeaker set |