

Ex-Proof Visual-Audible Signalling Sounder VS1



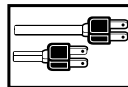
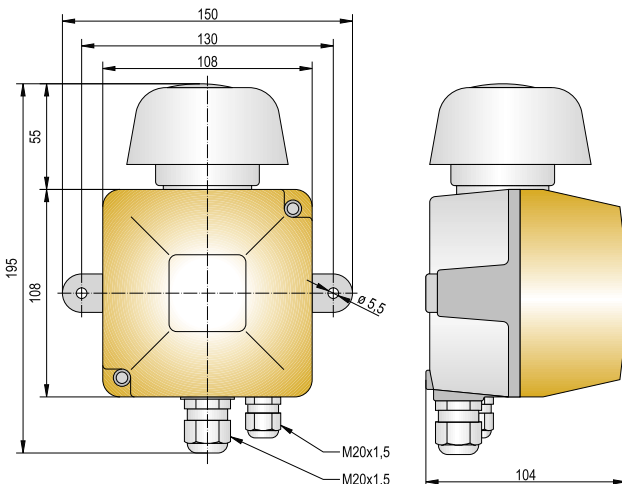
Ex II 2 G EEx em [ib] IIC T6

DIP Switch	Mode
	Telephone Call Secondary Sounder
	Signalling Detector

Tone setting			
Tone Type	DIP Switch	Tone Sequence	
Single tone		continuous tone	
		120 ms on	50 ms off
Two tone		16,6 Hz	
		50 Hz	
Three tone		16,6 Hz	
		50 Hz	
		120 ms on	50 ms off
		60 ms on	25 ms off

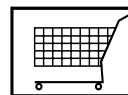
Features

- explosion proof visual-audible signalling sounder for universal applications in explosion endangered areas
- 3 tone types and up to 4 tone sequences selectable via DIP switch
- power supply from mains (230 V AC)
- 5 lens colours



Technical data

Type	VS1
Housing, Colour	aluminium-die cast, black
Lens	polycarbonate, amber, red, clear, blue, green
Mounting	wall or ceiling
Weight	1,5 kg
Acoustic signalling	loudspeaker
Tone types	single/two tone or three tone selectable with DIP switch
Visual signalling	2 xenon tubes with ~ 1 J 230 V AC -15% +10%, 50 Hz
Strobe frequency	1 - 2 Hz
Terminal	1,5 mm ² single or fine wire
Cable entry	2 x M20x1,5
Cable diameter	6 - 12 mm (230 V mains)
Approval	PTB 04 ATEX 2012



Order data

Type	Order No.	Description
VS1	410 10C 005	Ex-proof visual-audible signalling sounder

Colour code for lens

1	amber	5	blue
2	red	6	green
4	clear		