

## Tecsis - Digital pressure gauge



- Accuracy 0.5%
- Battery operation
- Pressure range from -1...2 bar to 0...700 bar

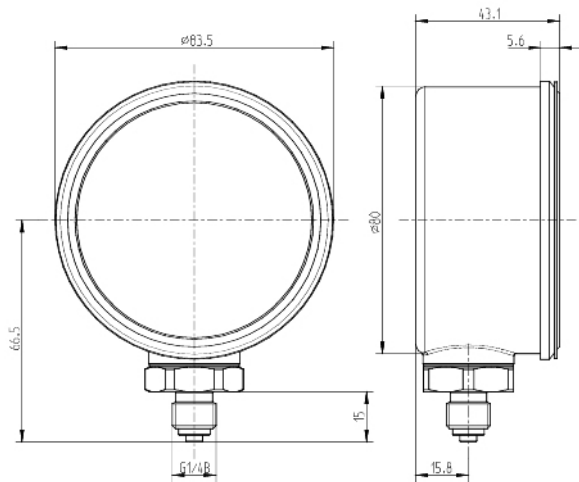
### Range of applications

The gauge has 4-figure display that can be revolved 300° (P3962) to obtain simple reading irrespective of mounting angle. The gauge has battery operation and turns off automatically after a set time. Suitable where high accuracy of reading is required and where it is difficult to put in a power source.

### Technical specification

<b>Max. deviation</b>	±0.5 % of end value according to DIN16 086 (0.25% BFSL)	
<b>Linearity and hysteresis</b>	Included in the above	
<b>Overpressure protection</b>	2x max. 1,000Bar	
<b>Amendment time</b>	5 times/sec.	
<b>Display</b>		
P3961	LCD-display, 4 digits (9999)	
P3962	LCD-display, double lines, 4½ +4½(19999+19999), illumination	
<b>Pressure connection</b>		
P3961	G1/4"	
P3962	G1/4" (rotatable 300°)	
<b>Housing</b>	Stainless steel	
<b>Wetted parts</b>		
Measuring range ≤ 50Bar	Stainless steel, aluminium, NBR, ceramic measuring cell	
Measuring range ≥ 100Bar	Stainless steel, thin-film sensor	
<b>Media temperature</b>	-30 °C on +85 °C (-30 °C ... +100 °C ≥100 bar)	
<b>Temperature deviation</b>	≤±0.15 %/10K for zero point ≤±0.15 %/10K for measurement span	
<b>Temp. compensation range</b>	0 °C to +60 °C	
<b>Supply voltage</b>	2x 1.5V AA batteries	
<b>Setting options</b>	P3961	P3962
Zero point adjustment	No	Yes ≤± 20%
Units	Selectable between bar, PSI, MPa	
Automatic shut-off	None/ On request 2..90min	Adjustable
<b>Min./Max. indication</b>	Yes	Yes
<b>IP-class</b>	IP65 According to EN 60 529/IEC 529	

## Dimensions



G1/2" on 0...1,000 bar

## Item number

Pressure range bar	Item number	
	P3961	P3962
0... 2	<b>P3961B071001</b>	<b>P3962B071001</b>
0... 5	<b>P3961B121001</b>	<b>P3962B121001</b>
0... 10	<b>P3961B075001</b>	<b>P3962B075001</b>
0... 20	<b>P3961B077001</b>	<b>P3962B077001</b>
0... 50	<b>P3961B785001</b>	<b>P3962B785001</b>
0... 100	<b>P3961B081001</b>	<b>P3962B081001</b>
0... 160	<b>P3961B082001</b>	<b>P3962B082001</b>
0... 250	<b>P3961B084001</b>	<b>P3962B084001</b>
0... 400	<b>P3961B086001</b>	<b>P3962B086001</b>
0... 600	<b>P3961B087001</b>	<b>P3962B087001</b>
0... 700	<b>P3961B104001</b>	<b>P3962B104001</b>