

Ex-Proof Strobe Beacon dHF

Ex-Proof Strobe Beacon dSF

dHF

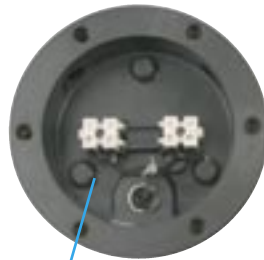
dSF



II 2 G EEx de IIC T6
Zone 1 + 2



mounting bracket 4VA stainless



terminal connection chamber „e“

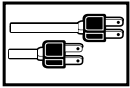
Features

- visual signal device with powerful xenon tube for use in explosion endangered areas of zones 1 and 2
- modular system – synthetic housing made of glassfibre reinforced polyester
- low weight – robust and corrosion proof design
- flameproof chamber „d“ – terminal connection chamber in protection class increased safety „e“
- for continuous operation
- models with 5 or 15 J strobe energy
- 4 lens colours
- insulation class II – no equipotential bonding required

Features

- visual signal device with powerful xenon tube for use in explosion endangered areas of zones 1 and 2
- typical applications in chemical/petrochemical industries, refineries, vessel/aircraft industries, ammunition depots, fork lifts etc.
- sturdy aluminium housing, coated or powder coated
- compact dimensions – also suitable for building in (only lens visible)
- flameproof chamber „d“ – terminal connection chamber in protection class increased safety „e“
- for continuous operation
- models with 5 J or 15 J strobe energy
- hardened glass lens (borosilicate glass), 15 J model with protecting cage made of stainless steel
- 5 lens colours

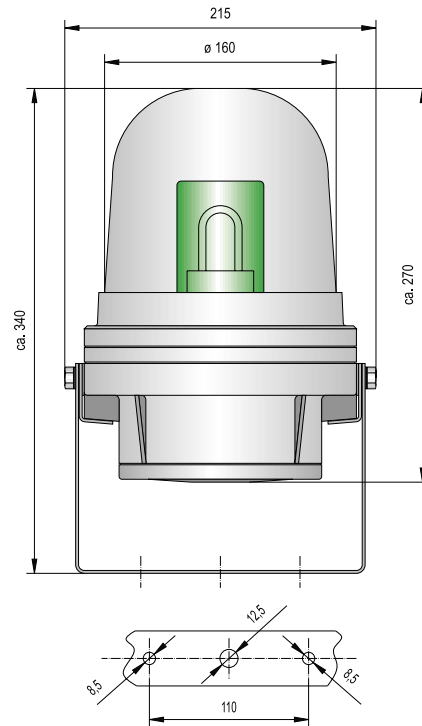




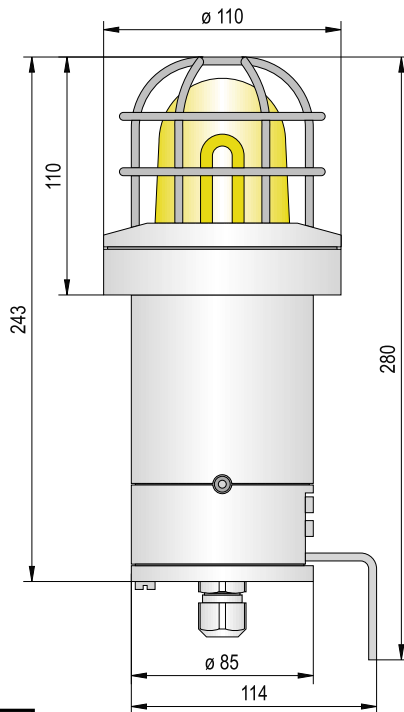
Technical data

| Type | dHF |
|---------------------------|---|
| Housing, Colour | glassfibre reinforced polyester dark grey RAL 7024 |
| Lens | polycarbonate (makrolon) |
| Lens colour | amber, red, blue, green (inner lens) |
| Terminal | 1,5 mm ² fine wire 2,5 mm ² single wire |
| Cable entry | cable gland M20 x 1,5 and blind plug M20 x 1,5 |
| Mounting | as required - swiveling mounting bracket |
| Strobe frequency/lifetime | ~ 1 Hz, approx. 5 x 10 ⁶ flashes |
| Operation | continuous |
| Insulation class | II no equipotential bonding |
| Weight | 5,9 kg |
| Approval | PTB 03 ATEX 1098 |

dHF



dSF



| Type | dSF |
|---------------------------|--|
| Housing, Colour | aluminium, surface coated or powder coated (yellow/blue) |
| Lens | hardened borosilicate glass |
| Lens colour | amber, red, clear, blue, green |
| Terminal | 1,5 mm ² feindrhtig 2,5 mm ² eindrhtig |
| Cable entry | cable gland M20 x 1,5 and blind plug M20 x 1,5 |
| Mounting | mounting bracket |
| Strobe frequency/lifetime | ~ 1 Hz, approx. 5 x 10 ⁶ flashes |
| Operation | continuous |
| Insulation class | I – equipotential bonding: screw connection with wire protection clamp outside (cross section max. 4 mm ²) |
| Weight | 2 kg |
| Approval | PTB 03 ATEX 1230 |



Order data

Colour code for lens

| | | | |
|---|------------------|---|-------|
| 1 | amber | 5 | blue |
| 2 | red | 6 | green |
| 4 | clear (only dSF) | | |

| Type | Order No. | Description | Strobe energy (J) | Nominal voltage | Voltage range | Nominal current (A) |
|------|-------------|------------------------|-------------------|-----------------------|---------------|---------------------|
| dHF1 | 340 00C 413 | Ex-proof strobe beacon | 15 | 230/240 V AC 50-60 Hz | 207-253 V AC | 0,20 |
| | 340 10C 410 | | 5 | 110/120 V AC 50-60 Hz | 103-127 V AC | 0,135 |
| | 340 10C 413 | | 5 | 230/240 V AC 50-60 Hz | 207-253 V AC | 0,13 |
| dHF2 | 340 00C 005 | Ex-proof strobe beacon | 15 | 24 V DC | 21-53 V DC | 1,00 |
| | 340 00C 009 | | | 80 V DC | 72-132 V DC | 0,25 |
| | 340 10C 004 | | | 12 V DC | 10-14 V DC | 0,600 |
| | 5 | | 340 10C 005 | 24 V DC | 21-53 V DC | 0,280 |
| | | | 340 10C 009 | 80 V DC | 72-132 V DC | 0,09 |
| | | | | | | |
| dSF1 | 335 00C 413 | Ex-proof strobe beacon | 15 | 230/240 V AC 50-60 Hz | 207-253 V AC | 0,20 |
| | 335 10C 410 | | 5 | 110/120 V AC 50-60 Hz | 103-127 V AC | 0,135 |
| | 335 10C 413 | | 5 | 230/240 V AC 50-60 Hz | 207-253 V AC | 0,13 |
| dSF2 | 335 00C 005 | Ex-proof strobe beacon | 15 | 24 V DC | 21-53 V DC | 1,00 |
| | 335 00C 009 | | | 80 V DC | 72-132 V DC | 0,25 |
| | 335 10C 005 | | | 24 V DC | 21-53 V DC | 0,28 |
| | 5 | | 335 10C 009 | 80 V DC | 72-132 V DC | 0,09 |
| | | | | | | |

