

# Ex-Proof Rotating Signal Beacon dHR

## Ex-Proof Steady Beacon dHL

dHR

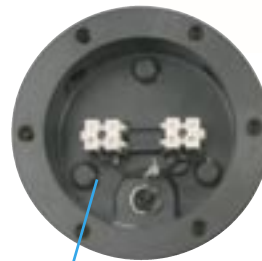
dHL



II 2 G EEx de IIC T6  
Zone 1 + 2



mounting bracket 4VA stainless



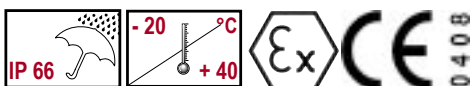
terminal connection chamber „e“

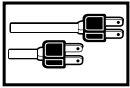
### Features

- ▶ visual rotating signalling device with powerful halogene bulb and triple lens optical system for use in explosion endangered areas of zone 1 and 2
- ▶ wear resistant friction gear
- ▶ modular system – synthetic housing made of glassfibre reinforced polyester
- ▶ lower weight – robust and corrosion proof design
- ▶ flameproof chamber „d“ – terminal connection chamber in protection class increased safety „e“
- ▶ for continuous operation
- ▶ 4 lens colours
- ▶ insulation class II – no equipotential bonding required

### Features

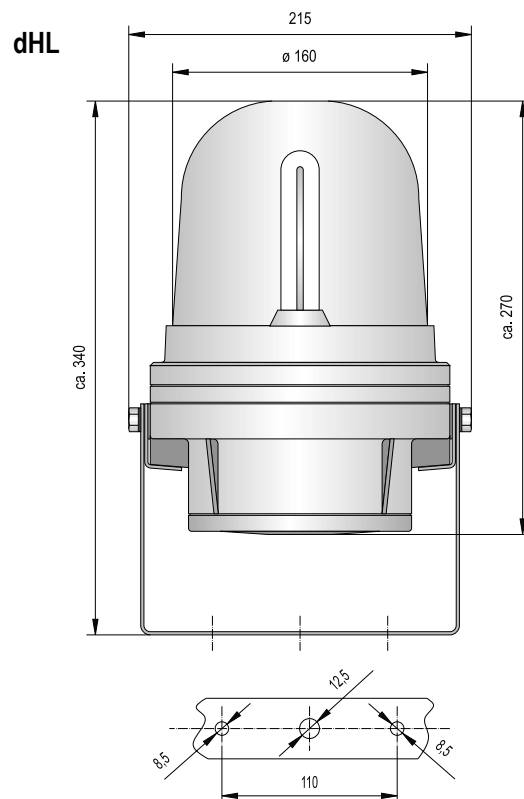
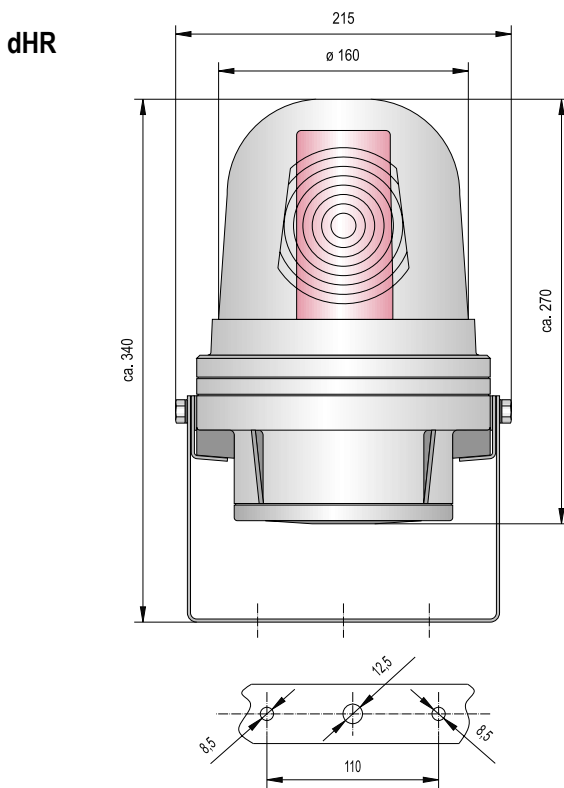
- ▶ steady beacon with energy saving bulb for use in explosion endangered areas of zone 1 and 2
- ▶ modular system – synthetic housing made of glassfibre reinforced polyester
- ▶ lower weight – robust and corrosion proof design
- ▶ flameproof chamber „d“ – terminal connection chamber in protection class increased safety „e“
- ▶ for continuous operation
- ▶ energy saving bulb available in 5 colours
- ▶ insulation class II – no equipotential bonding required





## Technical data

Type	dHR	dHL
Housing, Colour	glassfibre reinforced polyester dark grey RAL 7024	
Lens	polycarbonate (makrolon)	hardened borosilicate glass
Colours	amber, red, blue, green (inner lens)	amber, red, white, blue, green (energy saving bulb)
Terminal	1,5 mm <sup>2</sup> fine wire 2,5 mm <sup>2</sup> single wire	
Light source	halogene bulb 20 W	energy saving bulb 15 W
Optics	triple lens optical system (fresnel lens)	---
Rotation speed	~ 60 rds/min	---
Cable entry	cable gland M20 x 1,5 and blind plug M20 x 1,5	
Operation	continuous operation	
Insulation class	II no equipotential bonding required	
Weight	5,5 kg	
Approval	PTB 03 ATEX 1098	



## Order data

Type	Order No.	Description	Nominal voltage	Voltage range	Nominal current (A)
dHR1	350 00C 405	Ex-proof rotating signal beacon	24 V AC/DC	+/- 10%	0,90
	350 00C 410		110/120 V AC 50-60 Hz		0,20
	350 00C 413		230/240 V AC 50-60 Hz		0,10
dHR2	350 00C 004		12 V DC		1,70
dHL1	310 00C 413	Ex-proof steady beacon	230/240 V AC 50-60 Hz		0,15

### Colour code for lens

1	amber	5	blue
2	red	6	green
3	white (only dHL)		

