



63mm, glycerine filled

- Stainless steel case
- Copper alloy measuring system
- Pressure ranges from -1...15 bar to 0...1000 bar
- Dual scale bar/psi indication



Germanischer Lloyd

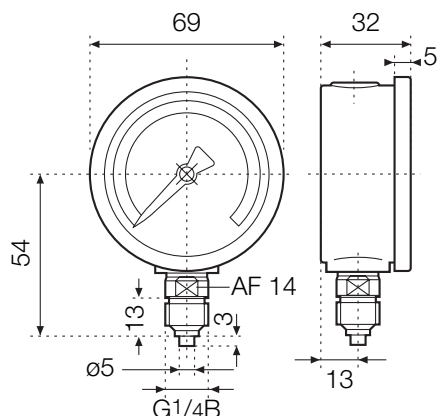
Technical specification

Nominal size (mm)	63
Accuracy class	1.6 to EN 837-1
Operating range	Constant load: 3/4 x full scale Alternating load: 2/3 x full scale Short time: full scale
Case	Stainless steel 1.4301 (304)
Bezel	Stainless steel 1.4301 (304)
Window	Plexiglass
Dial	Aluminium. White background, scale black
Pointer	Aluminium, black
Movement	Cu Zn (Brass)
Measuring element	≤40 bar Bourdon tube, copper alloy ≥60 bar... 400 bar Helical tube, copper alloy ≥400 bar Helical tube, 1.4571 (s.s.316)

Pressure connection	Cu Zn (Brass)
Connection thread	G1/4 B (1/4" BSP) DIN ISO228
Liquid filling	Glycerine: <2.5 bar 86.5% ≥2.5 bar 99.5%
Temperature ranges	
Media	-25°C to +80°C
Ambient	-25°C to +60°C
Protection	IP65 to EN 60529/IEC 529
Weight approx (Kg)	1454 - 0.21 1453 - 0.26
Options	Connection threads Panel mounting (flange)

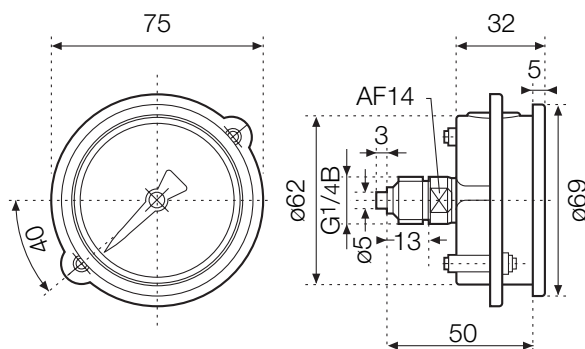
Dimensions

Type 1454



Type 1453

With included mounting bracket (1370 054 001)



All dimensions in mm

Ordering Information

Model

1454

1453



1454

1453



Range (bar)	Part number	
-1...0	1454016001*	1453016002*
-1...0.6	1454042901*	1453042902*
-1...1.5	1454043001*	1453043902*
-1...3	1454044001*	1453044902*
-1...5	1454045001*	1453045902*
-1...9	1454046901*	1453046902*
-1...15	1454049901*	1453049902*
0...1	1454069002	1453069004
0...1.6	1454070002	1453070004
0...2.5	1454072002	1453072004
0...4	1454073002	1453073004
0...6	1454074002	1453074004

Range (bar)	Part number	
0...10	1454075002	1453075004
0...16	1454076002	1453076004
0...25	1454078002	1453078004
0...40	1454079002	1453079004
0...60	1454080002	1453080004
0...100	1454081002	1453081004
0...160	1454082002	1453082004
0...250	1454084002	1453084004
0...400	1454086002	1453086004
0...600	1454087002	1453087004
0...1000	1454088002	1453088904

* indicates bar scale only