



63mm and 100mm,
for low pressures

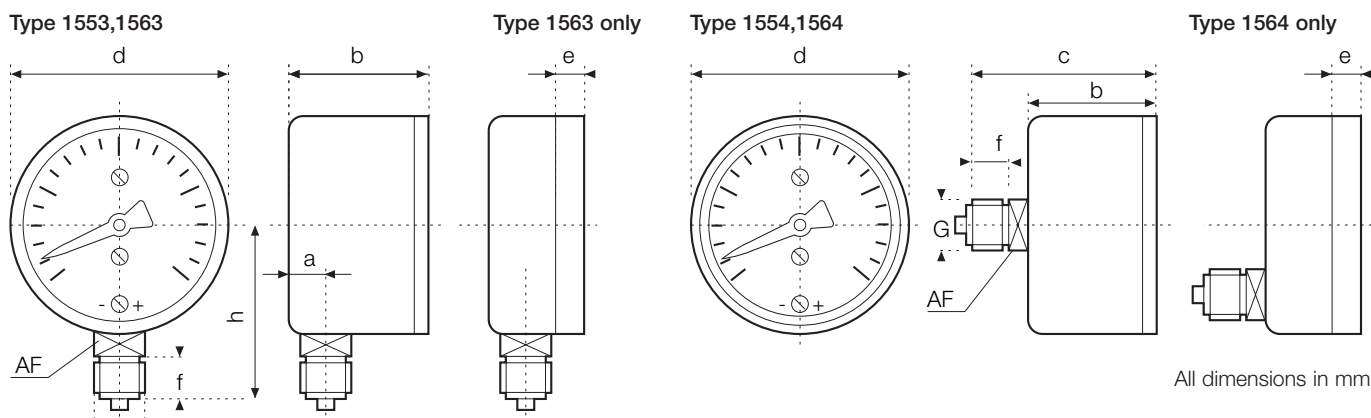
- Steel case
- Copper alloy measuring system
- Pressure ranges from -600...0 mbar to 0...600 mbar

Technical specification

Nominal size (mm)	63 and 100
Accuracy class	1.6 to EN 837-3
Operating range	Constant load: up to full scale Alternating load: up to 0.9x full scale Overpressure: 63 - 10x for short time 100 - 1.3x for short time
Case	63 - steel painted black 100 - stainless steel 1.4301
Bezel	None
Window	63 - plexiglass, 100 - glass lens
Dial	Aluminium white, scale black
Pointer	Aluminium, black
Movement	CuZn alloy with zero adjustment
Measuring element	Cu alloy

Pressure connection	Cu alloy
Connection thread	63 - G1/4 B, 100 - G1/2 B
Temperature ranges	-20°C to +80°C
Media	-20°C to +60°C
Ambient	63 - IP43 to EN 60529/IEC 529 100 - IP54 to EN 60529/IEC 529
Protection	
Weight approx (Kg)	63 - 0.3, 100 - 0.6
Options	Dual scale mbar/psi Connection threads 1564 - front/back flange 1563/1564 - safety glass All stainless steel version

Dimensions



Model	Dimensions in mm									
	ND	a± 0.5	b± 1	c± 0.5	d± 0.5	e± 1	f± 0.5	G	h± 1	AF
1553	63	9.5	40	-	62	-	13	G1/4 B	51	14
1554	63	-	40	55.5	62	-	13	G1/4 B	-	14
1563	100	15.5	49.5	-	101	17.5	30	G1/2 B	87	22
1564	100	-	49.5	83	101	17.5	30	G1/2 B	-	22

Ordering information



Range (mbar)	Part number			
-40...0	1553009903	1554009903	1563009903	1564009903
-60...0	1553010903	1554010903	1563010903	1564010903
-100...0	1553011903	1554011903	1563011903	1564011903
-160...0	1553012903	1554012903	1563012903	1564012903
-250...0	1553013903	1554013903	1563013903	1564013903
-400...0	1553014903	1554014903	1563014903	1564014903
-600...0	1553826903	1554826903	1563826903	1564826903

Above part numbers are for 10x Overpressure

Range (mbar)	Part number			
0...40	1553061003	1554061903	1563061003	1564061903
0...60	1553062003	1554062903	1563062003	1564062903
0...100	1553063003	1554063903	1563063003	1564063903
0...160	1553064003	1554064903	1563064003	1564064903
0...250	1553065003	1554065903	1563065003	1564065903
0...400	1553066003	1554066903	1563066003	1564066903
0...600	1553094003	1554094903	1563094003	1564094903

Above part numbers are for 10x Overpressure