



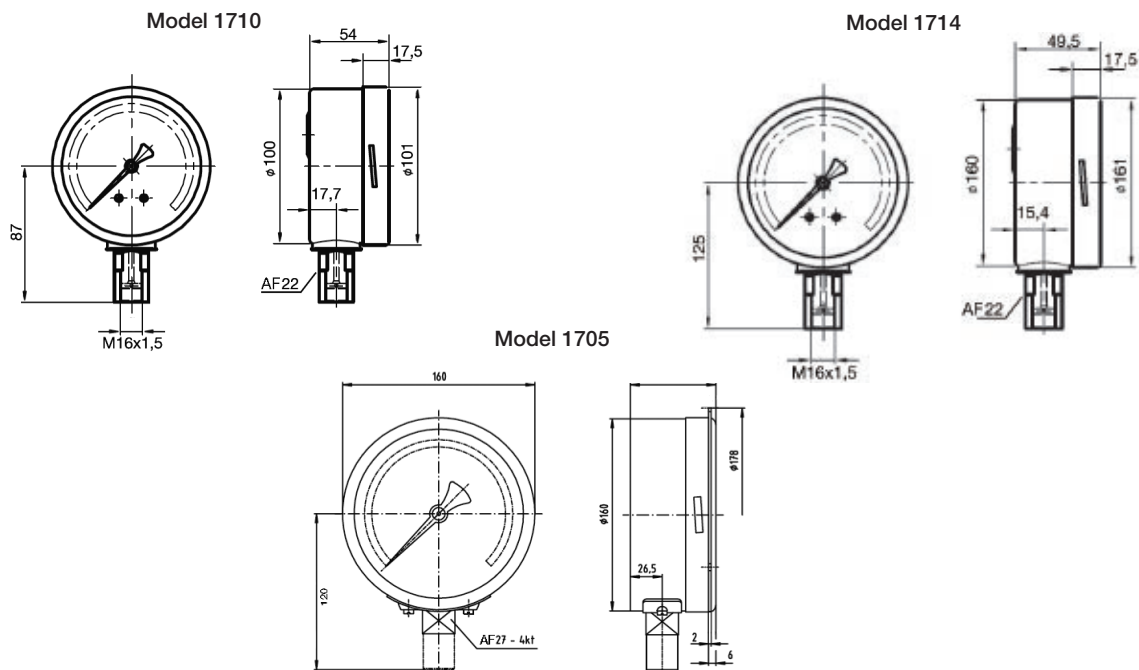
100mm and 160mm,
ultra high pressures

- Stainless steel case and measuring system
- Pressure ranges from 0...1600 bar to 0...7000 bar

Technical specification

Nominal size (mm)	100, 160	Pressure connection	Stainless steel 316L
Accuracy class	1710/1714 - 1.6, EN 837-1 / S3 1705 - 1.0 to EN 837-1 / S3	Connection thread	M16 x 1.5 female with 60° cone
Operating range	Constant load: 3/4 full scale Alternating load: 2/3 full scale Overpressure: 1.3x for short time (1705x1.05)	Temperature range	-20°C to +80°C
Case	Stainless steel 1.4301 (Pressure relief opening, sealed with rubber cover) 1705 with safety separation wall and blow out back	Media	-25° to +60°C
Bezel	Stainless steel 1.4301 bayonet ring	Ambient	-25° to +60°C
Window	Laminated safety glass	Protection	IP65 EN 60529/IEC 529
Dial pointer	Aluminium, white, scale black	Orifice	Stainless steel 0.6
Movement	Stainless steel	Weight approx (Kg)	1710 – 0.7, 1714 – 1.1, 1705 – 2.0
Measuring element	≤1600 bar stainless steel ≥2500 bar NiSpan C	Options	Connection threads Front flange Glycerine filling Orifices Accuracy 0.6, 0.25 Magnetic and inductive contacts Higher pressure ranges

Dimensions



Ordering information

Model	1710	1714	1705

Range	Part number		
0...1600	1710089901	-	-
0...2500	1710090901	1714090901	1705090001
0...4000	1710091901	1714091901	1705091001
0...6000	-	-	1705092001
0...7000	-	-	1705093001