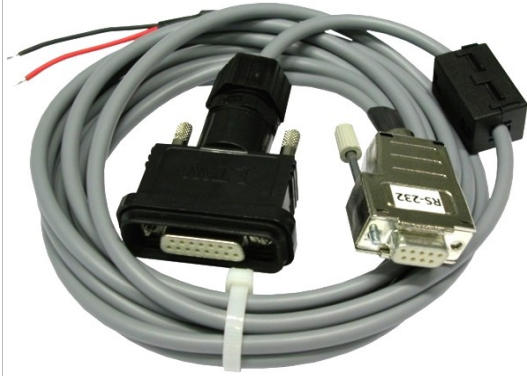


RS232 Configuration cable DLS/FLS

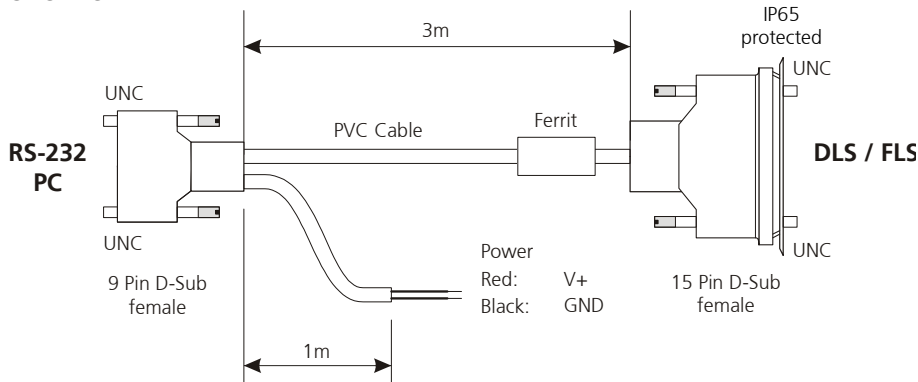
Part No. 500200



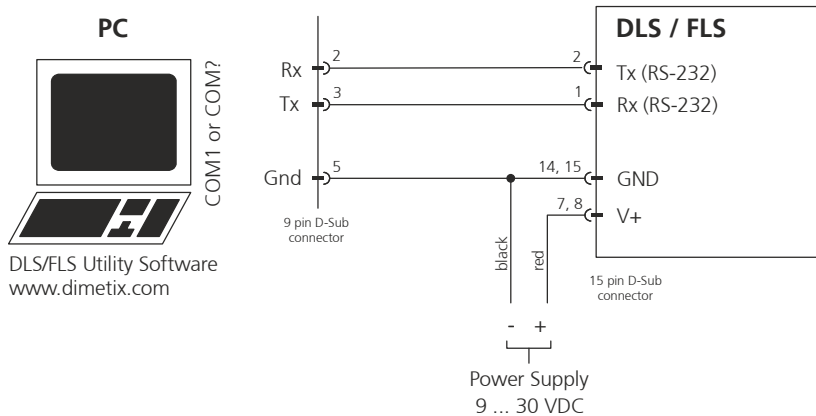
This RS-232 configuration cable is made to connect the DLS/FLS Laser Distance Sensor to a PC and power supply with the simple configuration.

Do not use for devices with the heater!

Overview



Wiring diagramm



Order information

Part No.	Description
500200	RS-232 Configuration cable DLS/FLS Length = 3m, with 15 pin connector IP65 and 9 pin connector

