

**Recovery of valuable raw materials -  
Protection of machines and plants**



**Technology  
Full Of  
Attraction**



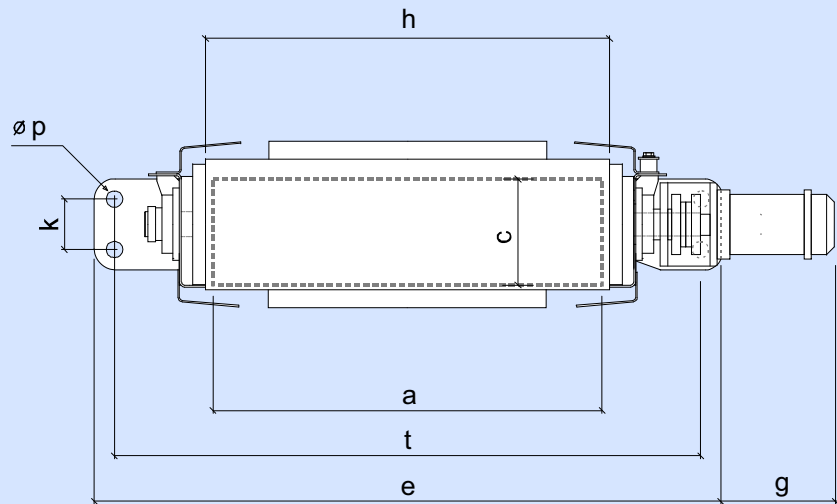
wagner  
magnete

Wagner Magnete GmbH & Co. KG  
Spann- und Umwelttechnik  
Obere Straße 15  
D- 87751 Heimertingen  
Telefon (08335) 980-0  
Telefax (08335) 980-270  
Internet [www.wagner-magnete.de](http://www.wagner-magnete.de)  
E-Mail [info@wagner-magnete.de](mailto:info@wagner-magnete.de)

# L 0452N e

## NEODYM- PERMANENT- MAGNETIC- BELT SEPARATOR

- + Nonmagnetic frame
- + Two-pole magnetic system
- + Shielded magnet body
- + Nonmagnetic protection devices
- + Nonmagnetic drums
- + Optimized torque bearing



Changes of dimensions and design are subject to alternations!

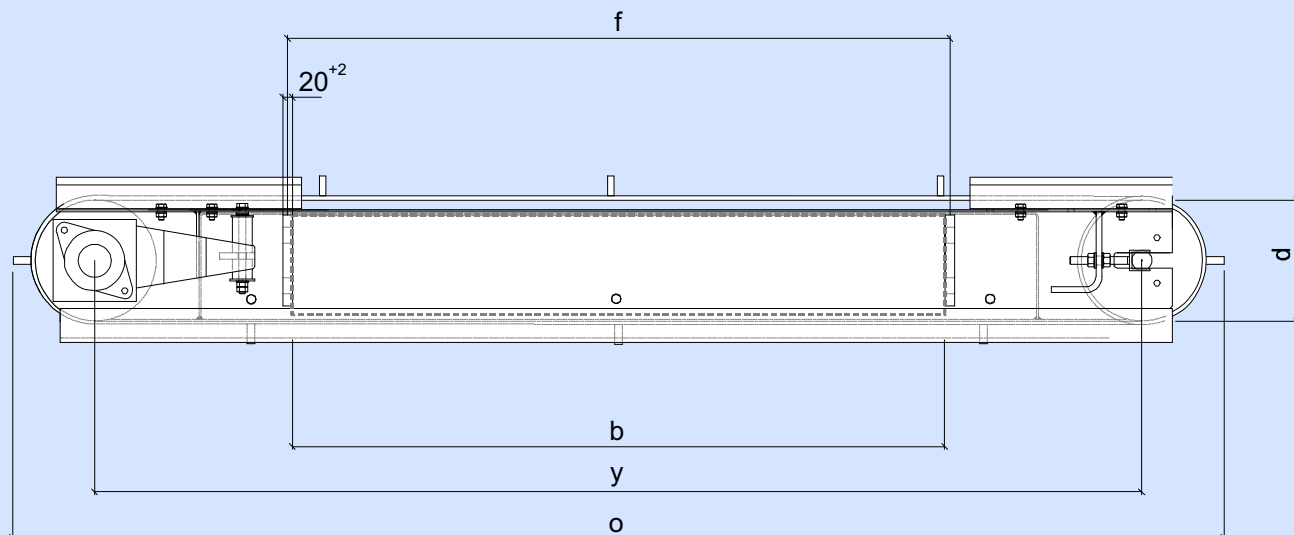
### DIMENSIONS AND TECHNICAL DATA

Type	belt width mm		working distance mm	weight kg	drive kW	overall dimensions		
	across	inline				length	width	height
0452N-40/50-150	500	400	120-200	280	1,5	1300	1150	280
0452N-40/70-150	650	400	120-200	305	1,5	1500	1150	280
0452N-40/90-150	800	400	120-200	330	1,5	1700	1150	280
0452N-40/110-150	1000	400	120-200	355	1,5	1900	1150	280
0452N-40/130-150	1200	400	120-200	380	1,5	2100	1150	280
0452N-60/70-150	650	650	170-250	440	2,2	1500	1400	280
0452N-60/90-150	800	650	170-250	520	2,2	1700	1400	280
0452N-60/110-150	1000	650	170-250	600	2,2	1900	1400	280
0452N-60/130-150	1200	650	170-250	680	2,2	2100	1400	280
0452N-60/150-150	1400	650	170-250	760	2,2	2300	1400	280
0452N-60/170-150	1600	650	170-250	840	2,2	2500	1400	280
0452N-60/190-150	1800	650	170-250	920	2,2	2700	1400	280
0452N-75/70-150	650	800	300-380	740	5,5	1500	1550	280
0452N-75/90-150	800	800	300-380	860	5,5	1700	1550	280
0452N-75/110-150	1000	800	300-380	980	5,5	1900	1550	280
0452N-75/130-150	1200	800	300-380	1100	5,5	2100	1550	280
0452N-75/150-150	1400	800	300-380	1220	5,5	2300	1550	280
0452N-75/170-150	1600	800	300-380	1340	5,5	2500	1550	280
0452N-75/190-150	1800	800	300-380	1460	5,5	2700	1550	280

### Application examples:



We would be more than happy to help you select the right magnet separator for your purposes. Please give us a call or send us a fax or e-mail. A corresponding data sheet that can be downloaded and filled in can be found at: [www.wagner-magnete.de](http://www.wagner-magnete.de)

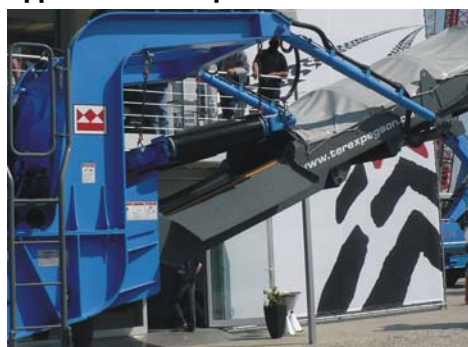


Changes of dimensions and design are subject to alternations!

## DIMENSIONS

magnet dimensions			d	e	f	g	h	k	o	p	t	y
a	b	c										
400	500	150	165	850	550	170	450	85	1450	24	838	1000
400	700	150	165	850	750	170	450	85	1650	24	838	1200
400	900	150	165	850	950	170	450	85	1850	24	838	1400
400	1100	150	165	850	1150	170	450	85	2050	24	838	1600
400	1300	150	165	850	1350	170	450	85	2250	24	838	1800
600	700	150	165	1050	750	170	650	85	1650	24	988	1200
600	900	150	165	1050	950	170	650	85	1850	24	988	1400
600	1100	150	165	1050	1150	170	650	85	2050	24	988	1600
600	1300	150	165	1050	1135	170	650	85	2250	24	988	1800
600	1500	150	165	1050	1550	170	650	85	2450	24	988	2000
600	1700	150	165	1050	1750	170	650	85	2650	24	988	2200
600	1900	150	165	1050	1950	170	650	85	2850	24	988	2400
750	700	150	165	1200	750	170	800	85	1650	24	1160	1200
750	900	150	165	1200	950	170	800	85	1850	24	1160	1400
750	1100	150	165	1200	1150	170	800	85	2050	24	1160	1600
750	1300	150	165	1200	1350	170	800	85	2250	24	1160	1800
750	1500	150	165	1200	1550	170	800	85	2450	24	1160	2000
750	1700	150	165	1200	1750	170	800	85	2650	24	1160	2200
750	1900	150	165	1200	1950	170	800	85	2850	24	1160	2400

### Application examples:



The magnetic separators can also be delivered as devices protected against explosions according to ATEX 95 (RL94/9). For additional information, please see our I Ex-1 leaflet!



## NEODYM-PERMANENT MAGNETIC BELT SEPARATOR

### Perfect for mobile shredders and crushers

The proven concept of a non-magnetic frame construction made of laser cut manganese hard steel sheet metal together with a computer-designed high-performance neodymium magnetic system allow the realization of lightweight and extra strong magnet separators for heavy duty applications.

### Highest magnetic strength and extra low weight

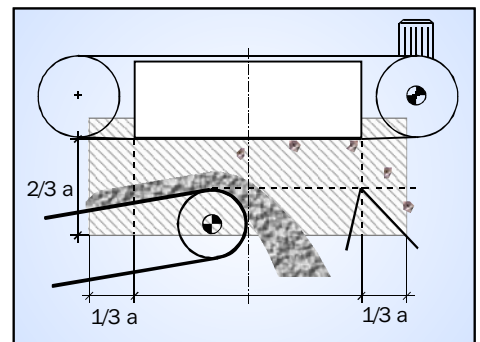
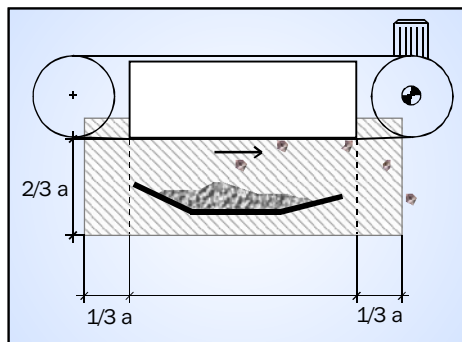
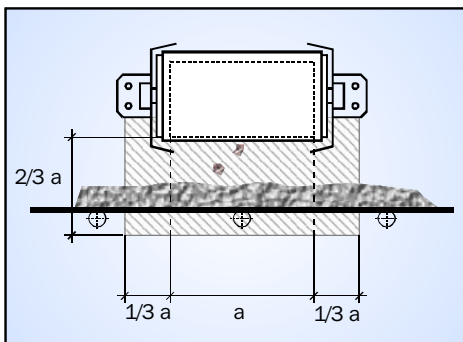
We use magnetic material with the currently highest available energy density. Weight reduction will be up to 60% in comparison to conventional devices with comparable magnetic capacity.

### Extensive shielding of the high-capacity magnet

The magnetic field shows full effectiveness at the bottom side of the magnet without disturbing stray flux. This enables significant reduction of disturbing deposits at the frame so that cleaning is easy.

### Installation notes

The distance between a magnet and the conveyor should be as small as possible because the magnetic force decreases exponentially over distance. At the same time, it is important to make sure that the distance is at least large enough so that the studs on the discharge belt can securely remove all attracted ferrous items from the material flow. When removing items crosswise, we recommend a low trough formed conveyor belt. This improves ferrous item removal and prevents damage caused by wedging large ferrous items between the magnet and conveyor equipment.



### Non-magnetic area

In the hatched area, no construction parts that can be magnetized are permitted, otherwise the effectiveness of the magnets will be reduced. Carrier rollers and material guides must be removed or made of material that cannot be magnetized. When using the in-line Arrangement, the head roller must be non-magnetic

### Driving motor possibilities:

H1/125: hydraulic drive OMP125  
H1/250: hydraulic drive OMP250  
H1/315: hydraulic drive OMP315

K6: bevel gear drive motor NORD  
T7: drum motor drive Van der Graaf

K: with temperature sensor

### Available discharge belts:

BF: oil resistant belt  
BV: improved belt  
BR: belt with REMA coating  
BH: heat resistant belt  
BS: belt with special studs  
BW: belt with 35/60 mm high studs

Special designs can be manufactured.

### Accessories:

Off-track monitor  
Suspension devices  
Zero-speed monitor  
Special protection devices  
Nonmagnetic conveyor rollers