

GENERAL
BROCHURE
2021

A close-up, black and white photograph of a metallic gear or turbine component. The image shows several curved, parallel blades or teeth, creating a sense of depth and motion. The lighting highlights the metallic texture and the sharp edges of the component.

BE- YOND MO- TION



BEYOND MOTION

Always ahead.

**Moving the world forward hand in hand
with our customers. This is our vision.**

Developing next generation high performance ball screws by delivering all inclusive technology products. This is our mission.

We are IPIRANGA

Welcome to *Beyond Motion*

IPIRANGA BEYOND MOTION

Disclaimer

All information concerning these products and/or all suggestions for handling and use contained herein are offered in good faith and believed to be reliable.

Husillos Ipiranga S.L., however, makes no warranty as to the accuracy and/or sufficiency of such information and/or suggestions, as to the products' merchantability or fitness for any particular purpose without previous project planning process to ensure the suitability of these products or specialty developments for particular purposes. The user may forward, distribute and/or photocopy this document only if unaltered and complete, including all of its headers and footers, and should refrain from any unauthorized use. You may not copy this document to a website.

©2021 Ipiranga Beyond Motion. All rights reserved.

"Beyond Motion" is a trademark of Husillos Ipiranga S.L.

INDEX

ABOUT US	06
Quick Facts	08
Time Line	10
Unique Partner	12
SOLUTIONS	14
Motion Fit Solutions	16
Project Planning	18
Understanding Our References	20
INDUSTRIES WE SERVE	22
Machine Tools	24
General Industry	26
Power Industry	28
BALL SCREWS	30
PABS Positioning Accuracy Ball Screws	32
•PABS DOUBLE NUT	
•PABS SINGLE NUT BALL SIZE PRELOAD	
•PABS SINGLE NUT PITCH SHIFT DEVIATION PRELOAD	
•PABS SINGLE NUT START DEVIATION PRELOAD	
HLBS High Loads Ball Screws	98
•HLBS SINGLE NUT HIGH LOAD	
TMBS Transport Motion Ball Screws	130
•TMBS SINGLE NUT	
DEBS Demanding Environments Ball Screws	212
•DEBS ROTATING DOUBLE NUT ROLLER BEARING	
•DEBS ROTATING SINGLE NUT COMPACT BEARING	
•DEBS COOLING SINGLE NUT	
•EXTRA PERFORMANCE	
RLD Rolled Ball Screws	228
•RLD SERIES 10	
•RLD SERIES 12	
•RLD SERIES 14	
•RLD SERIES 16	
•RLD SERIES 18	
•RLD SERIES 20	
•RLD SERIES 22	
•RLD SERIES 24	



ABOUT US

01
ABOUT
US

DELIVERING HIGHEST PERFORMANCE BALL SCREWS SINCE 1967.

We are one of the first companies in the world **specialized in the manufacture of high-performance ball screws** thanks to our close relationship with the machine tool industry and sector-leading companies from our very beginnings to the present day.

Being pioners has been possible thanks to our close relationship with the machine tool industry and sector leading companies from our very beginnings to the present day.

Our headquarters are located in the province of Gipuzkoa - Basque Country - northern Spain, historically a machine tool industry reference region.



IPIRANGA HEADQUARTERS
 Polígono Industrial Erratzu
 Parcela G3. Pabellón 221 - Apdo.65
 E-20130 Urnieta. Gipuzkoa
 SPAIN



Today, with more than half a century of motion technologies and innovation knowledge, **we accompany our customers in the most demanding industries.** We deliver value-added solutions.



More than
20.000
 projects
 developed since 1967



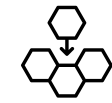
Product development with more than
1.400
 customers



Ipiranga ball screws working worldwide in
40
 countries



More than
50
 applications covered



400
 specialty
 product developments
 per year



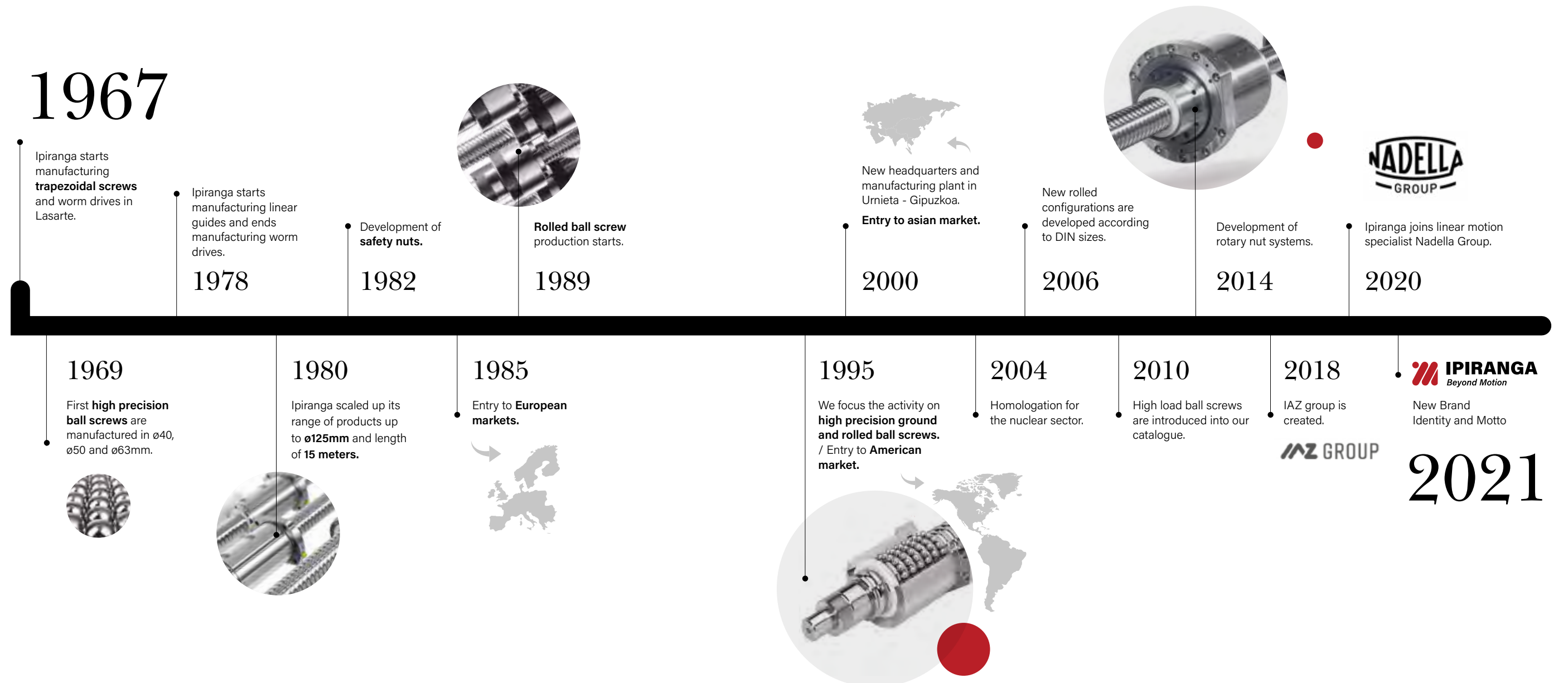
ISO 9001
ISO 14001
 certified



DIN 69051
ISO 3408
 standards

ANSWERING TO MOTION CHALLENGES SINCE 1967

The most demanding industries have always been our playground. **Delivering value-added & turnkey solutions** that meet any requirement has always been our goal. As we never rest on past success, when necessary, we engineer turnkey configurations that meet our customers' needs. We deliver solutions.

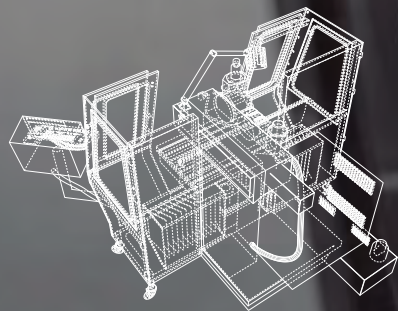


We deliver solutions.

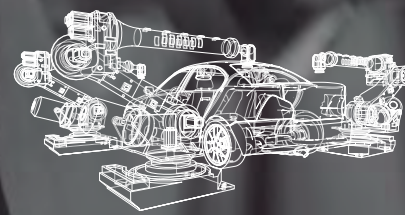
TRUSTED PARTNER WORLDWIDE.

The world's infrastructure industries rely on Ipiranga to solve their most complex motion challenges. **We provide a range of ball screw solutions for a variety of industries** including machine tools, general industries and energy.

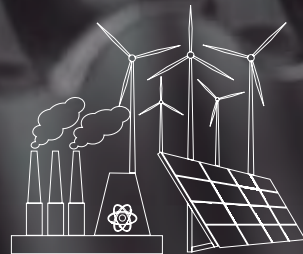
We deliver more than tailored ball screws; we help our customers increase plant uptime, enhance operational efficiency, and improve plant safety so they can optimize production and reduce costs.



**MACHINE
TOOLS**



**GENERAL
INDUSTRIES**



ENERGY



UNLIMITED MOVEMENT PERFORMANCE

Ipiranga is unique in the motion industry because of our deep application expertise in a variety of industries. We understand the challenges customers' face.

Our application knowledge and technical expertise enable us to design reliable ball screws and linear motion equipment customers can trust even in the most aggressive environments.





SOLU- TIONS

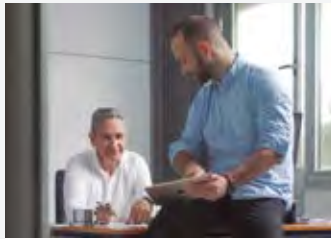


| SOLUTIONS |

02
SOLUTIONS



Enabling future motion solutions with industry-specific motion technologies.



Frameworks

NEXT GENERATION PERFORMANCE

Our ball screws help to meet next generation performance through simulations, tribology and materials. Focusing on specific working conditions to achieve highest performance and lowest maintenance.

Innovation

MANUFACTURING & ENGINEERING EXPERTISE

Each of our products is the result of research and development. Thanks to our closest collaboration with our clients we own proven manufacturing & engineering expertise.

Technology

ALL-INCLUSIVE-TEC BALL SCREWS

State-of-the-art technologies add a plus in efficiency, safety and sustainability. Motion Fit technology focuses on the implementation of optimal core technologies into specific screw - nut - balls configurations.

**IPIRANGA
MOTION FIT
SOLUTIONS**

OUR COMMITMENT TO OUR CUSTOMERS

Our commitment goes further than our commercial interests and guides us to transform the world hand in hand with our clients. This is possible thanks to our **Motion Fit Solutions methodology**. Including a comprehensive range of **value added processes and services** for our customers.

Delivering highest performance ball screws for the most demanding applications.

FRAMEWORK

Multiple working conditions & tough environments matter to us.

PROTECT

Ball screws working in **tough environments** require specific rust prevention and coatings, specialty materials and component heat treatment or protective surface treatments are needed.

TEMP

Operating temperature prevention and reduction. Optimal configuration for the application avoids high environmental temperatures and thermal expansion of a ball screw.

LOW NOISE

Certain applications require **operating silence** of ball screw assembly. An optimal configuration of return systems, backlash and materials guarantees a low noise result in the application.

Extra performance and equipment always at hand.

ROTATING

When the **operational speeds and lengths** of the ball screw does not allow high Rpm, the Rotary Nuts of Ipiranga satisfy the feed rates making the nut turning and getting the screw static.

SAFETY

Safety requirements are becoming more important, implementing Ipiranga embedded or integrated Safety nuts guarantee the load will be transferred from the ball nut to the safety nut in the event of failure of the system.

COOLING

When a heating is produced in the ball screw assembly, the accuracy and the life time of the ball screws are affected due to the deformations. Keeping an **equilibrate temperature** of the ball screw assembly we reduce such risks.

INNOVATION

TAILORED ENGINEERING

A trend that continues is the adoption of ball screws into **new applications**. Ipiranga tailored engineering reaches ball screw configurations that satisfy customers' performance requirements.

CUSTOM MANUFACTURING

Recent generation ball screws have greater capabilities. Ipiranga in-house production facilities grant customized **IT1, IT3 & IT5** Ground high performance ball s screws and **IT5 & IT7** rolled.

DESIGN ECO

Hydraulic systems are being replaced by electromechanics in different fields of application where **energy efficiency and service life** are major design demands.

TECHNOLOGY

ACCURACY

Applications that demand accuracy in both positioning and changing of direction are obtainable through lead deviation and preload configurations. **IT1-IT3-IT5 compliant technology.**

SPEED

High speed requirements are reachable by a high DN. This is due to optimal returns systems and the type of balls. **Up to 225,000 DN compliant technology.**

LOADS

Applications with both high working load capacity and extreme working conditions requirements need specific high dynamics configurations. **Up to 1800 kN dynamic load technology.**

ROLLED

All-inclusive-technology that combines positioning accuracy up to IT5; high loads up to 130 kN dynamic load; DN up to 150,000; multiple starts and leads.

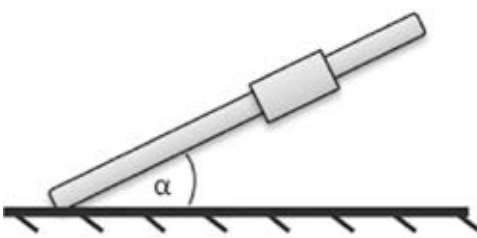
TRANSPORT

All-inclusive-technology that combines positioning accuracy up to IT5; high loads up to 1800 kN dynamic load and DN up to 225,000.

PROJECT PLANNING SHEET

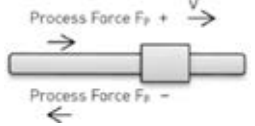
Ipiranga manufactures high performance ball screws in line with made to order catalogued product references; according to customer drawings; or developing tailor made specialty solutions. Project planning ensures that the ball screw is ideally adapted to customers' requirements. You can count on our advice.

Customer Data	
Company:	Contact Person:
	Department:
	Phone:
Project:	Email:
	Application type
	Special operating conditions (e.g. dust, chips, fluid)

Installation	Dimensions
	External screw diameter [mm]
	Total length [mm]
	Type of nut Double - Single
	Axial preload Newtons
	Axial backlash (Single nut) [mm]
	Pitch [mm]
$\alpha = 0^\circ$ <input type="checkbox"/> horizontal $\alpha = 90^\circ$ <input type="checkbox"/> vertical $\alpha = ___^\circ$	Thread length [mm]
	Thread direction Right-left
	Other information:


Type of supports	Operation	Technology requirements
Fixed - Fixed <input type="checkbox"/>	Rotating screw <input type="checkbox"/>	Tolerances: IT1 IT3 IT5 IT7 compliant technologies Rotational Speed: Up to 225,000 DN compliant technologies. Dynamic Loads: Up to 1800 kN dynamic load compliant technologies.
Fixed - Supported <input type="checkbox"/>	Rotating nut <input type="checkbox"/>	
Supported - Supported <input type="checkbox"/>	Safety nut <input type="checkbox"/>	
Fixed - Free <input type="checkbox"/>	Cooling nut <input type="checkbox"/>	

	Direction a			Direction b		
	Load N	Speed RPM	Time %	Load N	Speed RPM	Time %
1						
2						
3						
4						
5						
6						
7						
8						
9						
10						

Mass to be displaced	Kg.	Cycle data  (1) Direction
Max. working force	Newtons	
Speed	m/minute	
Acceleration	m/sec ²	
Guide friction coefficient		

Operation time		Required lifetime		
Cycles/hour [z/h] =	1-shift-operating <input type="checkbox"/>	Cycles [z]	Lz =	
	2-shift-operating <input type="checkbox"/>		Kilometers [km]	Lkm =
	3-shift-operating <input type="checkbox"/>		Years [y]	Ly =
Working days/year [d/y] =				

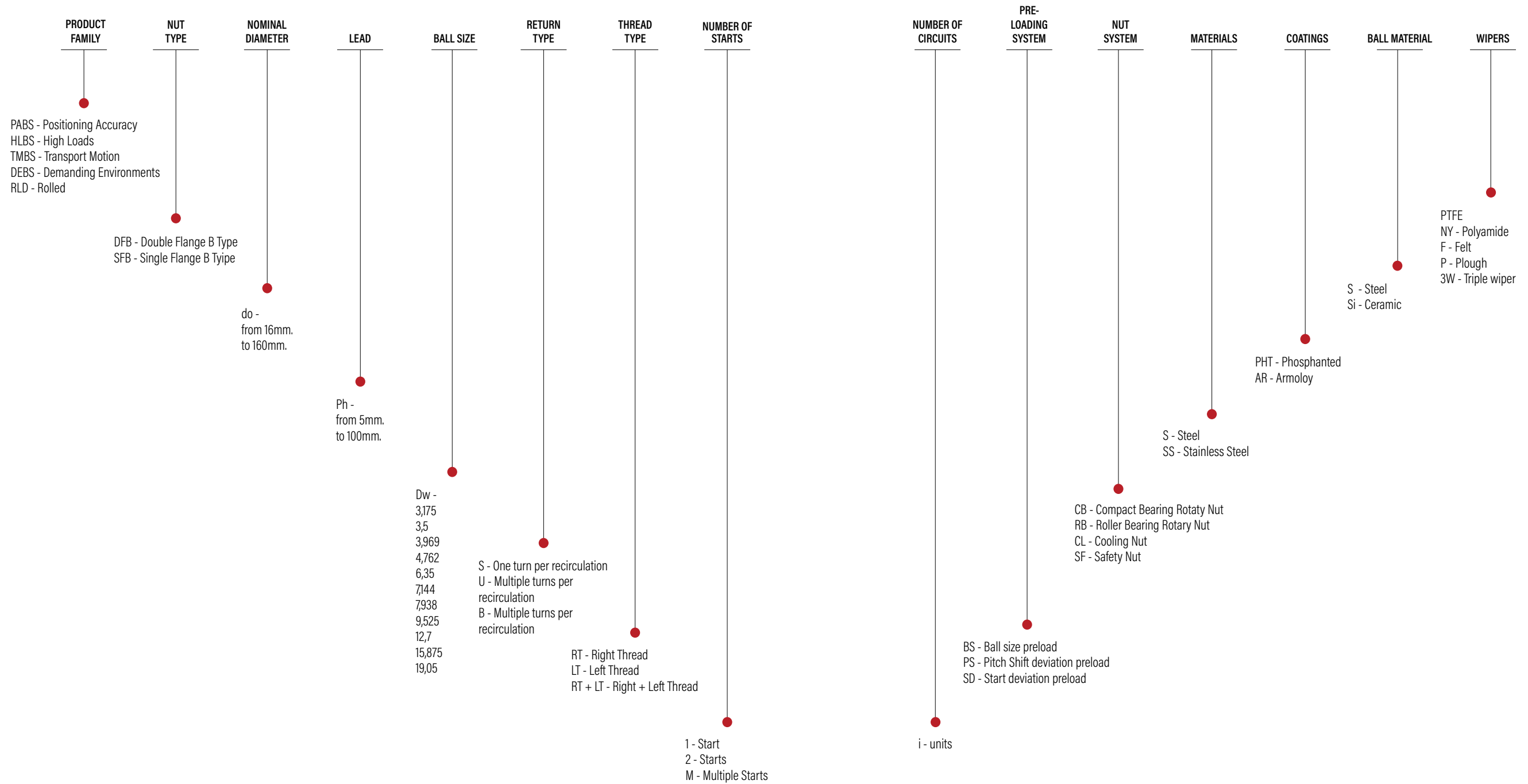
Downloadable file



UNDERSTANDING OUR REFERENCES

By product family

The following diagram summarizes all the abbreviations we use when coding our products in the technical specification tables



Other configurations under request.



INDUS- TRIES

| INDUSTRIES |

03
INDUSTRIES

MACHINE TOOLS

We help our clients in the development of high-performance machine tools.

Ipiranga high performance ball screws are suitable for high speed requirements, high load ratings and higher positioning accuracy demands.

APPLICATION AREAS

- Vertical lathes
- Horizontal lathes
- Milling machines
- Grinding machines
- Boring machines
- Machining centers

| INDUSTRIES |

IPIRANGA STATE OF THE ART TECHNOLOGY.



HIGH-SPEED REQUIREMENTS

Reduction of time processes with high feed rates, tool changing's and ultra fast machining.



HIGH LOAD REQUIREMENTS

Reduction of time processes with high machining power.



HIGHER POSITIONING ACCURACY

Because of the high rigidity we achieve high repeatability and accuracy machining with high performance.

APPLICATION AREAS

- Actuators
- Aeronautics and Aerospace
- Automatism
- Automotive
- Railways
- Injection molding and presses
- Boarding bridges and elevators
- Public work

| INDUSTRIES |

GENERAL INDUSTRY

We provide the optimal solution whatever the application.

Ipiranga has a global portfolio of solutions and technical expertise capable of tackling the stringent and often unique requirements found in the aeronautics and aerospace, automatism, automotive, railways, injectors and presses, boarding bridges and elevators, public work, actuators and other general industries.

IPIRANGA IMMEASURABLE VERSATILITY.



HIGH EFFICIENCY

Great functioning performance with the minimum energy cost.



DEMANDING DUTY CYCLES

High product flexibility to adjust to the more diverse duty cycles of the industry.



HIGH ACCURACY

Quality precision for the highest demand and reliability applications.



HEAVY LOADS

Replacement from hydraulic to electromechanical systems.

**APPLICATION
AREAS**

Nuclear
Wind
Solar

INDUSTRIES

POWER INDUSTRY

We provide solutions for the most demanding working conditions wherever energy is produced.

Rapid load variations; frequent stops and starts; high temperatures and pressures are common in the energy industry. Ipiranga develops motion solutions that overcome these challenges while adhering to the most stringent quality and safety standards.

IPIRANGA RELIABILITY, MATERIALS, COATINGS



RELIABILITY, MATERIALS, COATINGS

The energy industry requires special materials for aggressive environments applications. Our coatings and materials satisfy those needs of protection keeping the highest reliability.



QUALITY STANDARDS & TESTING

Due to the high safety requirements, IPIRANGA provide the highest quality and manufacturing processes along with the most demanding tests and trials of the market.



CERTIFICATIONS

The certification of the product is the base of the energy industry. IPIRANGA is endorsed as high quality supplier.



BALL SCREWS

HIGH PERFORMANCE

04
BALL SCREWS

| BALL SCREWS |

IPIRANGA PABS POSITIONING ACCURACY

DRIVING OUR CUSTOMERS' SUCCESS

Ipiranga PABS Positioning Accuracy Ball Screws are highest precision requirements compliant.

IPIRANGA PABS are designed to achieve the highest **rigidity** and **speed** requirements. Combined by optimum return systems, diameters, leads and balls, we are able to get the maximum **DN**.



Drive technology applied to precision requirements.

Improved velocity and acceleration results.

FEATURES & BENEFITS

PRODUCT RANGE

- From 16mm to 160mm diameters
- From 5mm to 100mm pitches
- Lengths up to 20 meters
- IT1, IT3 & IT5 compliant

MANUFACTURING PROCESSES AVAILABLE

- According to DIN 69051 and ISO 3408 standards
- ISO 9001 and ISO 14001 certified
- Ground

PRODUCT FAMILIES

- PABS DOUBLE NUT
- PABS SINGLE NUT BALL SIZE PRELOAD
- PABS SINGLE NUT PITCH SHIFT DEVIATION PRELOAD
- PABS SINGLE NUT START DEVIATION PRELOAD

MotionFit SOLUTIONS

FRAMEWORK

- Multiple working conditions
 - Protect
 - Temp
 - Low noise

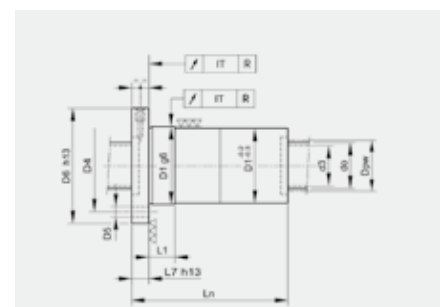
INNOVATION

- Tailored engineering
- Custom manufacturing
- Design eco

TECHNOLOGY

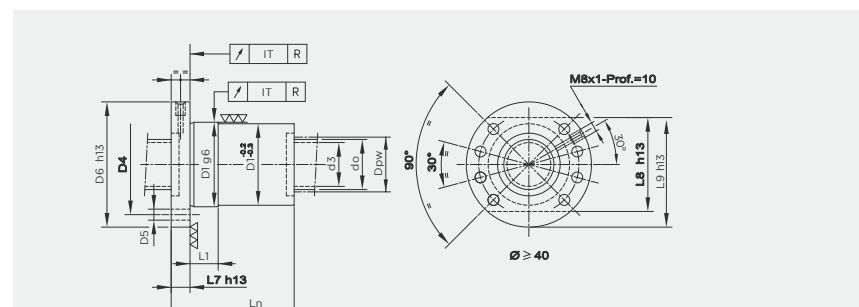
- Accuracy
- Speed

NUT CONFIGURATIONS



DOUBLE NUT CONFIGURATION

Preloaded double nut with high rigidity provided by preloading it with 7-10% of the dynamic load.



PRELOADED SINGLE NUT

Preloaded single nut with high rigidity provided by preloading.

BALL SIZE

3.5-5% dynamic load.

PITCH SHIFT

5-7% dynamic load.

START DEVIATION

5-7% dynamic load.

EXTRA PERFORMANCE & EQUIPMENT ALWAYS AT HAND

MotionFit ROTATING

When the **operational speeds and lengths** of the ball screw does not allow high Rpm, the Rotary Nuts of Ipiranga satisfy the feed rates making the nut turning and getting the screw static.

MotionFit COOLING

When a heating is produced in the ball screw assembly, the accuracy and the life time of the ball screws are affected due to the deformations. Keeping an **equilibrate temperature** of the ball screw assembly we reduce such risks.

MotionFit SAFETY

Safety requirements are becoming more important, implementing Ipiranga embedded or integrated Safety nuts guarantee the load will be transferred from the ball nut to the safety nut in the event of failure of the system.

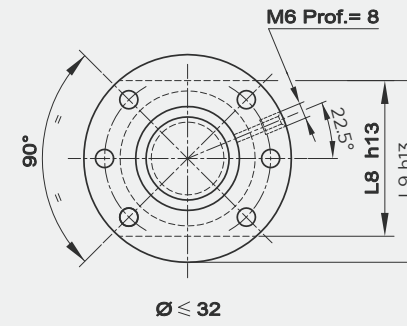
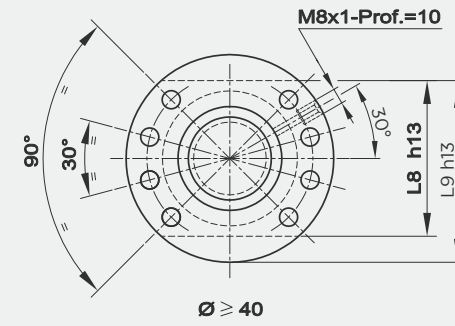
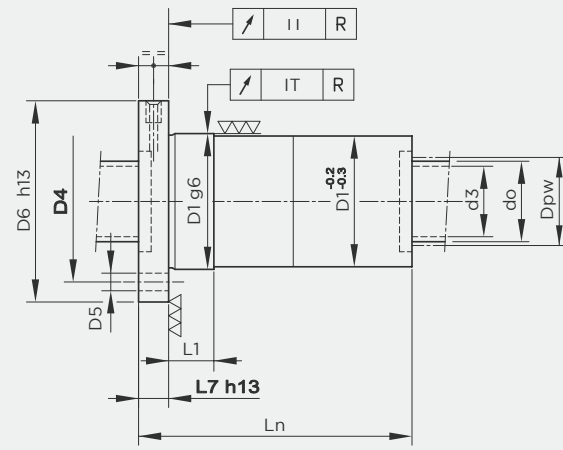
WIPER CONFIGURATION

- PTFE/Polyamide wiper
- Plough wiper
- Encapsulated felt wiper
- Triple wiper

MATERIALS & COATINGS

- Magnesium Phosphate
- Armoloy
- Stainless steel
- Ceramic balls

IPIRANGA PABS DOUBLE NUT



Reference	Recirculation	Nominal diameter	Lead	Ball diameter	Root diameter	Circuits	Dimensions					Dimensions					Loads and rigidity					
							Ln	D1	D4	D6	D5	L7	L1	L8	L9	Cam	Coam	Rsm	Rbt	Rnu	Rnu.ar	
Ref	Typo	mm	mm	mm	mm	units	mm	mm	mm	mm	mm	mm	mm	mm	mm	mm	KN	KN	N/μm	N/μm	N/μm	N/μm
DFB-16-5-4-3	S	16	5	3,969	13	3	79	28	38	48	5,5	10	10	40	44	14,3	23,2	33	706	657	329	
DFB-16-5-5-4	S	16	5	3,969	13	4	90	28	38	48	5,5	10	10	40	44	18,6	31,6	33	933	869	435	
DFB-16-5-4-5	S	16	5	3,969	13	5	100	28	38	48	5,5	10	10	40	44	22,7	40,2	33	1157	1078	539	
DFB-20-5-4-3	S	20	5	3,969	17	3	79	36	47	58	6,6	10	10	44	51	16,4	30	54	870	806	403	
DFB-20-5-4-4	S	20	5	3,969	17	4	90	36	47	58	6,6	10	10	44	51	21,2	40,8	54	1148	1064	532	
DFB-20-5-4-5	S	20	5	3,969	17	5	100	36	47	58	6,6	10	10	44	51	25,9	51,9	54	1424	1320	660	
DFB-20-5-4-6	S	20	5	3,969	17	6	110	36	47	58	6,6	10	10	44	51	30,5	63,3	54	1698	1575	788	
DFB-25-5-4-3	S	25	5	3,969	22	3	79	40	51	62	6,6	10	10	48	55	18,6	39,1	88	1075	963	482	
DFB-25-5-4-4	S	25	5	3,969	22	4	90	40	51	62	6,6	10	10	48	55	24,1	53	88	1419	1273	637	
DFB-25-5-4-5	S	25	5	3,969	22	5	100	40	51	62	6,6	10	10	48	55	29,3	67,5	88	1757	1577	789	
DFB-25-5-4-6	S	25	5	3,969	22	6	110	40	51	62	6,6	10	10	48	55	34,5	82,3	88	2095	1882	941	
DFB-25-10-4-3	S	25	10	3,969	22,06	3	126	40	51	62	6,6	10	10	48	55	17,1	34,5	88	957	910	455	
DFB-25-10-4-4	S	25	10	3,969	22,06	4	148	40	51	62	6,6	10	10	48	55	22,1	46,9	88	1263	1202	601	
DFB-25-10-5-3	S	25	10	4,762	21,5	3	126	40	51	62	6,6	10	10	48	55	21,2	39,2	85	952	902	451	
DFB-25-10-5-4	S	25	10	4,762	21,5	4	148	40	51	62	6,6	10	10	48	55	27,3	53,2	85	1255	1190	595	
DFB-32-5-4-3	S	32	5	3,969	29	3	80	50	65	80	9	10	10	62	71	20,9	50,4	149	1317	1156	578	
DFB-32-5-4-4	S	32	5	3,969	29	4	92	50	65	80	9	10	10	62	71	26,9	68,5	149	1736	1525	763	
DFB-32-5-4-5	S	32	5	3,969	29	5	102	50	65	80	9	10	10	62	71	32,8	87	149	2152	1893	947	
DFB-32-5-4-6	S	32	5	3,969	29	6	112	50	65	80	9	10	10	62	71	38,5	106,1	149	2563	2256	1128	
DFB-32-10-6-3	S	32	10	6,35	27,2	3	132	50	65	80	9	10	10	62	71	38,9	68,5	137	1290	1193	597	
DFB-32-10-6-3	U	32	10	6,35	26,5	3	126	56	71	86	9	14	20	65	75,5	38,6	76,8	130	1413	1326	663	
DFB-32-10-6-4	S	32	10	6,35	27,2	4	154	50	65	80	9	12	20	62	71	50,1	92,6	137	1699	1572	786	
DFB-32-10-6-4	U	32	10	6,35	26,5	4	146	56	71	86	9	14	20	65	75,5	52	110,9	130	1973	1846	923	
DFB-32-10-6-5	S	32	10	6,35	27,2	5	176	50	65	80	9	12	20	62	71	61,1	117,3	137	2107	1951	976	
DFB-32-10-6-5	U	32	10	6,35	26,5	5	166	56	71	86	9	14	20	65	75,5	63,6	140,6	130	2448	2291	1146	
DFB-32-10-6-6	S	32	10	6,35	27,2	6	196	50	65	80	9	12	20	62	71	71,9	142,5	137	2512	2327	1164	
DFB-32-10-6-6	U	32	10	6,35	26,5	6	186	56	71	86	9	14	20	65	75,5	74,9	171	130	2920	2733	1367	
DFB-32-12-6-3	U	32	12	6,35	26,5	3	132	56	71	86	9	14	20	65	75,5	38,5	76,7	130	1407	1334	667	
DFB-32-12-6-4	U	32	12	6,35	26,5	4	156	56	71	86	9	14	20	65	75,5	51,9	110,7	130	1965	1859	930	
DFB-32-12-6-5	U	32	12	6,35	26,5	5	180	56	71	86	9	14	20	65	75,5	63,4	140,3	130	2437	2306	1153	
DFB-32-12-6-6	U	32	12	6,35	26,5	6	204	56	71	86	9	14	20	65	75,5	74,7	170,7	130	2907	2751	1376	
DFB-32-16-6-3	U	32	16	6,35	26,5	3	162	56	71	86	9	14	20	65	75,5	38,2	76,3	130	1391	1337	669	
DFB-32-16-6-4	U	32	16	6,35	26,5	4	194	56	71	86	9	14	20	65	75,5	51,6	110,1	130	1945	1866	933	
DFB-32-16-6-5	U	32	16	6,35	26,5	5	213	56	71	86	9	14	20	65	75,5	63	139,6	130	2412	2314	1157	
DFB-32-20-6-3	U	32	20	6,35	26,5	3	171	56	71	86	9	14	20	65	75,5	37,9	75,8	130	1373	1331	666	
DFB-32-20-6-4	U	32	20	6,35	26,5	4	211	56	71	86	9	14	20	65	75,5	51,1	109,4	130	1918	1856	928	

IPIRANGA PABS DOUBLE NUT

Reference	Recirculation	Nominal diameter	Lead	Ball diameter	Root diameter	Circuits	Dimensions					Dimensions					Loads and rigidity				
							Ln	D1	D4	D6	D5	L7	L1	L8	L9	Cam KN	Coam KN	Rsm N/μm	Rbt N/μm	Rnu N/μm	Rnu.ar N/μm
DOUBLE NUT Ref	S/U/B Tipo	do mm	Ph mm	Dw mm	d3 mm	i units	Ln mm	D1 mm	D4 mm	D6 mm	D5 mm	L7 mm	L1 mm	L8 mm	L9 mm	Cam KN	Coam KN	Rsm N/μm	Rbt N/μm	Rnu N/μm	Rnu.ar N/μm
DFB-32-20-8-3	U	32	20	7,938	25,3	3	177	63	78	93	9	16	20	70	81,5	58,8	103,4	123	1569	1519	760
DFB-32-20-8-4	U	32	20	7,938	25,3	4	217	63	78	93	9	16	20	70	81,5	75,9	139,6	123	2070	2005	1003
DFB-40-5-4-3	S	40	5	3,969	37	3	83	63	78	93	9	14	10	70	81,5	23,6	66,3	238	1639	1409	705
DFB-40-5-4-4	S	40	5	3,969	37	4	95	63	78	93	9	14	10	70	81,5	30,4	89,9	238	2160	1860	930
DFB-40-5-4-5	S	40	5	3,969	37	5	105	63	78	93	9	14	10	70	81,5	37,1	114,3	238	2678	2309	1155
DFB-40-5-4-6	S	40	5	3,969	37	6	114	63	78	93	9	14	10	70	81,5	43,5	139,3	238	3189	2752	1376
DFB-40-10-6-3	U	40	10	6,35	34,5	3	127	63	78	93	9	14	16	70	81,5	43,7	98,8	214	1729	1581	791
DFB-40-10-6-4	U	40	10	6,35	34,5	4	147	63	78	93	9	14	16	70	81,5	56,4	133,6	214	2280	2087	1044
DFB-40-10-6-5	U	40	10	6,35	34,5	5	167	63	78	93	9	14	16	70	81,5	71,2	178,3	214	2959	2700	1350
DFB-40-10-6-6	U	40	10	6,35	34,5	6	187	63	78	93	9	14	16	70	81,5	83,9	216,7	214	3529	3222	1611
DFB-40-10-6-7	U	40	10	6,35	34,5	7	207	63	78	93	9	14	16	70	81,5	96,3	256,1	214	4095	3740	1870
DFB-40-10-6-8	U	40	10	6,35	34,5	8	227	63	78	93	9	14	16	70	81,5	108,1	292,7	214	4652	4251	2126
DFB-40-10-7-3	S	40	10	7,144	34,6	3	134	63	78	93	9	14	10	70	81,5	49,3	93	219	1529	1403	702
DFB-40-10-7-4	S	40	10	7,144	34,6	4	156	63	78	93	9	14	10	70	81,5	63,6	125,5	219	2016	1851	926
DFB-40-10-7-5	S	40	10	7,144	34,6	5	178	63	78	93	9	14	10	70	81,5	77,5	158,8	219	2498	2296	1148
DFB-40-12-6-3	U	40	12	6,35	34,5	3	130	63	78	93	9	14	20	70	81,5	43,6	98,7	214	1724	1600	800
DFB-40-12-6-4	U	40	12	6,35	34,5	4	154	63	78	93	9	14	20	70	81,5	56,3	133,4	214	2274	2112	1056
DFB-40-12-6-5	U	40	12	6,35	34,5	5	178	63	78	93	9	14	20	70	81,5	71,1	178	214	2951	2733	1367
DFB-40-12-6-6	U	40	12	6,35	34,5	6	202	63	78	93	9	14	20	70	81,5	83,7	216,5	214	3519	3261	1631
DFB-40-12-6-7	U	40	12	6,35	34,5	7	226	63	78	93	9	14	20	70	81,5	96,2	255,8	214	4085	3786	1893
DFB-40-12-6-8	U	40	12	6,35	34,5	8	250	63	78	93	9	14	20	70	81,5	107,9	292,3	214	4639	4302	2151
DFB-40-12-8-3	U	40	12	7,938	33,3	3	142	70	85	100	9	18	25	75	87,5	66,8	131,1	205	1924	1789	895
DFB-40-12-8-4	U	40	12	7,938	33,3	4	166	70	85	100	9	18	25	75	87,5	86	176,8	205	2536	2360	1180
DFB-40-12-8-5	U	40	12	7,938	33,3	5	190	70	85	100	9	18	25	75	87,5	104,8	223,5	205	3143	2926	1463
DFB-40-12-8-6	U	40	12	7,938	33,3	6	214	70	85	100	9	18	25	75	87,5	123,2	271,1	205	3746	3489	1745
DFB-40-16-6-3	U	40	16	6,35	34,5	3	163	65	78	93	9	16	20	70	81,5	43,5	98,3	214	1713	1625	813
DFB-40-16-6-4	U	40	16	6,35	34,5	4	195	65	78	93	9	16	20	70	81,5	56,1	133	214	2259	2144	1072
DFB-40-16-6-5	U	40	16	6,35	34,5	5	227	65	78	93	9	16	20	70	81,5	70,8	177,4	214	2931	2777	1389
DFB-40-16-6-6	U	40	16	6,35	34,5	6	259	65	78	93	9	16	20	70	81,5	83,4	215,7	214	3495	3312	1656
DFB-40-16-8-3	U	40	16	7,938	33,3	3	160	70	85	100	9	18	25	75	87,5	66,5	130,7	205	1911	1809	905
DFB-40-16-8-4	U	40	16	7,938	33,3	4	192	70	85	100	9	18	25	75	87,5	85,7	176,3	205	2519	2386	1193
DFB-40-16-8-5	U	40	16	7,938	33,3	5	224	70	85	100	9	18	25	75	87,5	104,4	222,8	205	3122	2959	1480
DFB-40-16-8-6	U	40	16	7,938	33,3	6	256	70	85	100	9	18	25	75	87,5	122,7	270,2	205	3720	3527	1764
DFB-40-20-6-3	U	40	20	6,35	34,5	3	174	65	78	93	9	18	20	70	81,5	43,2	97,9	214	1697	1628	814
DFB-40-20-6-4	U	40	20	6,35	34,5	4	214	65	78	93	9	18	20	70	81,5	55,8	132,4	214	2239	2148	1074
DFB-40-20-6-5	U	40	20	6,35	34,5	5	254	65	78	93	9	18	20	70	81,5	70,4	176,7	214	2904	2782	1391
DFB-40-20-6-6	U	40	20	6,35	34,5	6	294	65	78	93	9	18	20	70	81,5	82,9	214,8	214	3463	3318	1659
DFB-40-20-8-3	U	40	20	7,938	33,3	3	180	70	85	100	9	18	25	75	87,5	66,1	130,2	205	1894	1813	907
DFB-40-20-8-4	U	40	20	7,938	33,3	4	220	70	85	100	9	18	25	75	87,5	85,2	175,5	205	2497	2392	1196
DFB-40-20-8-5	U	40	20	7,938	33,3	5	260	70	85	100	9	18	25	75	87,5	103,8	221,9	205	3094	2964	1482
DFB-40-20-8-6	U	40	20	7,938	33,3	6	300	70	85	100	9	18	25	75	87,5	122,1	269,1	205	3689	3535	1768
DFB-40-30-6-3	U	40	30	6,35	34,5	3	236	70	85	100	9	18	20	75	87,5	42,4	96,5	214	1646	1607	804

IPIRANGA PABS DOUBLE NUT

Reference	Recirculation	Nominal diameter	Lead	Ball diameter	Root diameter	Circuits	Dimensions					Dimensions					Loads and rigidity				
							Ln	D1	D4	D6	D5	L7	L1	L8	L9	Cam KN	Coam KN	Rsm N/μm	Rbt N/μm	Rnu N/μm	Rnu.ar N/μm
DOUBLE NUT	S/U/B	do	Ph	Dw	d3	i	Ln	D1	D4	D6	D5	L7	L1	L8	L9	Cam	Coam	Rsm	Rbt	Rnu	Rnu.ar
Ref	Tipo	mm	mm	mm	mm	units	mm	mm	mm	mm	mm	mm	mm	mm	mm	KN	KN	N/μm	N/μm	N/μm	N/μm
DFB-40-30-6-4	U	40	30	6,35	34,5	4	305	70	85	100	9	18	20	75	87,5	54,7	130,5	214	2171	2120	1060
DFB-40-30-8-3	U	40	30	7,938	33,3	3	236	75	90	105	9	18	25	80	92,5	64,9	128,3	205	1839	1793	897
DFB-40-30-8-4	U	40	30	7,938	33,3	4	306	75	90	105	9	18	25	80	92,5	83,6	173,1	205	2423	2363	1182
DFB-40-40-6-3	U	40	40	6,35	34,5	3	290	70	85	100	9	18	20	75	87,5	41,3	94,6	214	1579	1552	776
DFB-40-40-8-3	U	40	40	7,938	33,3	3	292	75	90	105	9	18	25	80	92,5	63,3	125,9	205	1766	1734	867
DFB-50-5-4-3	S	50	5	3,969	47	3	85	75	93	110	11	16	10	85	97,5	25,7	82,2	380	1940	1610	805
DFB-50-5-4-4	S	50	5	3,969	47	4	97	75	93	110	11	16	10	85	97,5	33,1	111,6	380	2557	2126	1063
DFB-50-5-4-5	S	50	5	3,969	47	5	107	75	93	110	11	16	10	85	97,5	40,2	141,8	380	3165	2636	1318
DFB-50-5-4-6	S	50	5	3,969	47	6	117	75	93	110	11	16	10	85	97,5	47,2	172,8	380	3771	3144	1572
DFB-50-10-6-3	U	50	10	6,35	44,5	3	128	75	93	110	11	16	16	85	97,5	49	126,2	350	2103	1878	939
DFB-50-10-6-4	U	50	10	6,35	44,5	4	148	75	93	110	11	16	16	85	97,5	63,1	170,7	350	2771	2477	1239
DFB-50-10-6-5	U	50	10	6,35	44,5	5	168	75	93	110	11	16	16	85	97,5	77	216,3	350	3437	3075	1538
DFB-50-10-6-6	U	50	10	6,35	44,5	6	188	75	93	110	11	16	16	85	97,5	93,1	273,9	350	4248	3789	1895
DFB-50-10-6-7	U	50	10	6,35	44,5	7	208	75	93	110	11	16	16	85	97,5	106,8	323,5	350	4929	4398	2199
DFB-50-10-7-3	S	50	10	7,144	44,6	3	136	75	93	110	11	16	10	85	97,5	57,9	127,7	355	1981	1766	883
DFB-50-10-7-4	S	50	10	7,144	44,6	4	158	75	93	110	11	16	10	85	97,5	74,6	172,4	355	2611	2330	1165
DFB-50-10-7-5	S	50	10	7,144	44,6	5	180	75	93	110	11	16	10	85	97,5	90,8	218	355	3235	2890	1445
DFB-50-10-7-6	S	50	10	7,144	44,6	6	201	75	93	110	11	16	10	85	97,5	106,8	264,6	355	3856	3447	1724
DFB-50-12-6-3	U	50	12	6,35	44,5	3	132	75	93	110	11	16	20	85	97,5	48,9	126,1	350	2099	1909	955
DFB-50-12-6-4	U	50	12	6,35	44,5	4	156	75	93	110	11	16	20	85	97,5	63,1	170,6	350	2768	2519	1260
DFB-50-12-6-5	U	50	12	6,35	44,5	5	180	75	93	110	11	16	20	85	97,5	76,9	216,1	350	3430	3124	1562
DFB-50-12-6-6	U	50	12	6,35	44,5	6	204	75	93	110	11	16	20	85	97,5	93	273,6	350	4241	3852	1926
DFB-50-12-6-7	U	50	12	6,35	44,5	7	228	75	93	110	11	16	20	85	97,5	106,7	323,2	350	4920	4471	2236
DFB-50-12-8-3	S	50	12	7,938	44,1	3	169	75	93	110	11	16	10	85	97,5	66,1	138,9	350	1988	1796	898
DFB-50-12-8-3	U	50	12	7,938	43,3	3	140	82	100	118	11	16	25	92	105	72	157,9	338	2219	2031	1016
DFB-50-12-8-4	S	50	12	7,938	44,1	4	194	75	93	110	11	16	10	85	97,5	85,1	187,3	350	2619	2369	1185
DFB-50-12-8-4	U	50	12	7,938	43,3	4	164	82	100	118	11	16	25	92	105	95,9	224,1	338	3060	2793	1397
DFB-50-12-8-5	S	50	12	7,938	44,1	5	219	75	93	110	11	16	10	85	97,5	103,6	236,7	350	3245	2937	1469
DFB-50-12-8-5	U	50	12	7,938	43,3	5	188	82	100	118	11	16	25	92	105	116,8	283,2	338	3792	3463	1732
DFB-50-12-8-6	U	50	12	7,938	43,3	6	212	82	100	118	11	16	25	92	105	137,2	343,4	338	4518	4129	2065
DFB-50-12-8-7	U	50	12	7,938	43,3	7	236	82	100	118	11	16	25	92	105	157,3	404,7	338	5240	4791	2396
DFB-50-12-8-8	U	50	12	7,938	43,3	8	260	82	100	118	11	16	25	92	105	176,5	462,5	338	5952	5445	2723
DFB-50-12-8-9	U	50	12	7,938	43,3	9	284	82	100	118	11	16	25	92	105	195,3	520,3	338	6659	6094	3047
DFB-50-12-8-10	U	50	12	7,938	43,3	10	308	82	100	118	11	16	25	92	105	213,8	578,1	338	7363	6741	3371
DFB-50-16-6-3	U	50	16	6,35	44,5	3	164	75	93	110	11	16	20	85	97,5	48,8	125,8	350	2090	1945	973
DFB-50-16-6-4	U	50	16	6,35	44,5	4	196	75	93	110	11	16	20	85	97,5	62,9	170,2	350	2755	2566	1283
DFB-50-16-6-5	U	50	16	6,35	44,5	5	228	75	93	110	11	16	20	85	97,5	76,7	215,6	350	3415	3183	1592
DFB-50-16-6-6	U	50	16	6,35	44,5	6	260	75	93	110	11	16	20	85	97,5	92,7	273	350	4221	3926	1963
DFB-50-16-6-7	U	50	16	6,35	44,5	7	292	75	93	110	11	16	20	85	97,5	106,4	322,5	350	4898	4557	2279
DFB-50-16-8-3	S	50	16	7,938	44,1	3	196	75	93	110	11	16	10	85	97,5	63,3	130,4	350	1875	1743	872
DFB-50-16-8-3	U	50	16	7,938	43,3	3	162	82	100	118	11	16	25	92	105	71,8	157,6	338	2209	2067	1034
DFB-50-16-8-4	S	50	16	7,938	44,1	4	230	75	93	110	11	16	10	85	97,5	81,5	175,9	350	2471	2299	1150

IPIRANGA PABS DOUBLE NUT

Reference	Recirculation	Nominal diameter	Lead	Ball diameter	Root diameter	Circuits	Dimensions					Dimensions					Loads and rigidity				
							Ln	D1	D4	D6	D5	L7	L1	L8	L9	Cam KN	Coam KN	Rsm N/μm	Rbt N/μm	Rnu N/μm	Rnu.ar N/μm
DOUBLE NUT Ref	S/U/B Tipo	do mm	Ph mm	Dw mm	d3 mm	i units	Ln mm	D1 mm	D4 mm	D6 mm	D5 mm	L7 mm	L1 mm	L8 mm	L9 mm	Cam KN	Coam KN	Rsm N/μm	Rbt N/μm	Rnu N/μm	Rnu.ar N/μm
DFB-50-16-8-4	U	50	16	7,938	43,3	4	194	82	100	118	11	16	25	92	105	95,7	223,7	338	3047	2844	1422
DFB-50-16-8-5	S	50	16	7,938	44,1	5	263	75	93	110	11	16	10	85	97,5	99,2	222,3	350	3061	2850	1425
DFB-50-16-8-5	U	50	16	7,938	43,3	5	226	82	100	118	11	16	25	92	105	116,5	282,6	338	3775	3525	1763
DFB-50-16-8-6	U	50	16	7,938	43,3	6	258	82	100	118	11	16	25	92	105	136,8	342,7	338	4498	4202	2101
DFB-50-16-8-7	U	50	16	7,938	43,3	7	290	82	100	118	11	16	25	92	105	156,9	403,8	338	5217	4876	2438
DFB-50-16-8-8	U	50	16	7,938	43,3	8	322	82	100	118	11	16	25	92	105	176	461,5	338	5926	5541	2771
DFB-50-16-9-2	B	50	16	9,525	42,2	2	153	90	108	125	11	20	25	95	110	64,1	123,3	327	1550	1446	723
DFB-50-16-9-3	B	50	16	9,525	42,2	3	185	90	108	125	11	20	25	95	110	91,4	187	327	2286	2135	1068
DFB-50-16-9-4	B	50	16	9,525	42,2	4	217	90	108	125	11	20	25	95	110	122,5	267,6	327	3179	2961	1481
DFB-50-16-9-5	B	50	16	9,525	42,2	5	249	90	108	125	11	20	25	95	110	149,2	337,8	327	3939	3671	1836
DFB-50-16-9-6	B	50	16	9,525	42,2	6	281	90	108	125	11	20	25	95	110	175,3	409,3	327	4694	4376	2188
DFB-50-16-9-7	B	50	16	9,525	42,2	7	311	85	105	125	13,5	20	25	95	110	201,1	482	327	5445	5079	2540
DFB-50-16-9-8	B	50	16	9,525	42,2	8	343	85	105	125	13,5	20	25	95	110	225,6	550,8	327	6185	5771	2886
DFB-50-16-9-9	B	50	16	9,525	42,2	9	367	85	105	125	13,5	20	25	95	110	249,6	619,7	327	6919	6458	3229
DFB-50-20-6-3	U	50	20	6,35	44,5	3	176	75	93	110	11	18	25	85	97,5	48,6	125,5	350	2077	1961	981
DFB-50-20-6-4	U	50	20	6,35	44,5	4	216	75	93	110	11	18	25	85	97,5	62,7	169,7	350	2739	2588	1294
DFB-50-20-6-5	U	50	20	6,35	44,5	5	256	75	93	110	11	18	25	85	97,5	76,4	215	350	3395	3209	1605
DFB-50-20-6-6	U	50	20	6,35	44,5	6	296	75	93	110	11	18	25	85	97,5	92,4	272,3	350	4197	3960	1980
DFB-50-20-6-7	U	50	20	6,35	44,5	7	336	75	93	110	11	18	25	85	97,5	106	321,6	350	4869	4595	2298
DFB-50-20-8-3	S	50	20	7,938	44,1	3	221	75	93	110	11	16	10	85	97,5	63,1	130,1	350	1865	1759	880
DFB-50-20-8-3	U	50	20	7,938	43,3	3	184	82	100	118	11	18	25	92	105	71,5	157,2	338	2196	2082	1041
DFB-50-20-8-4	S	50	20	7,938	44,1	4	264	75	93	110	11	16	10	85	97,5	81,2	175,5	350	2457	2319	1160
DFB-50-20-8-4	U	50	20	7,938	43,3	4	224	82	100	118	11	18	25	92	105	95,3	223	338	3029	2866	1433
DFB-50-20-8-5	S	50	20	7,938	44,1	5	306	75	93	110	11	16	10	85	97,5	98,9	221,7	350	3045	2876	1438
DFB-50-20-8-5	U	50	20	7,938	43,3	5	264	82	100	118	11	18	25	92	105	116	281,8	338	3753	3553	1777
DFB-50-20-8-6	U	50	20	7,938	43,3	6	304	82	100	118	11	18	25	92	105	136,4	341,7	338	4473	4236	2118
DFB-50-20-8-7	U	50	20	7,938	43,3	7	344	82	100	118	11	18	25	92	105	156,3	402,7	338	5187	4914	2457
DFB-50-20-9-2	B	50	20	9,525	42,2	2	167	90	108	125	11	20	25	95	110	63,9	123	327	1542	1459	730
DFB-50-20-9-3	B	50	20	9,525	42,2	3	207	90	108	125	11	20	25	95	110	91	186,5	327	2272	2151	1076
DFB-50-20-9-4	B	50	20	9,525	42,2	4	247	90	108	125	11	20	25	95	110	122,1	266,9	327	3161	2986	1493
DFB-50-20-9-5	B	50	20	9,525	42,2	5	287	90	108	125	11	20	25	95	110	148,6	336,9	327	3916	3701	1851
DFB-50-20-9-6	B	50	20	9,525	42,2	6	327	90	108	125	11	20	25	95	110	174,7	408,2	327	4668	4413	2207
DFB-50-20-9-7	B	50	20	9,525	42,2	7	365	85	105	125	13,5	20	25	95	110	200,4	480,7	327	5415	5121	2561
DFB-50-30-6-3	U	50	30	6,35	44,5	3	243	75	93	110	11	18	25	85	97,5	48	124,3	350	2036	1960	980
DFB-50-30-6-4	U	50	30	6,35	44,5	4	303	75	93	110	11	18	25	85	97,5	61,9	168,1	350	2685	2586	1293
DFB-50-30-6-5	U	50	30	6,35	44,5	5	363	75	93	110	11	18	25	85	97,5	75,5	213	350	3328	3207	1604
DFB-50-30-8-3	U	50	30	7,938	43,3	3	248	82	100	118	11	18	25	92	105	70,7	155,7	338	2154	2080	1040
DFB-50-30-8-4	U	50	30	7,938	43,3	4	308	82	100	118	11	18	25	92	105	94,2	221	338	2971	2865	1433
DFB-50-30-8-5	U	50	30	7,938	43,3	5	368	82	100	118	11	18	25	92	105	114,6	279,2	338	3680	3550	1775
DFB-50-30-9-2	B	50	30	9,525	42,2	2	193	90	108	125	11	20	25	95	110	63,1	121,9	327	1512	1458	729
DFB-50-30-9-3	B	50	30	9,525	42,2	3	253	90	108	125	11	20	25	95	110	90	184,8	327	2230	2151	1076
DFB-50-30-9-4	B	50	30	9,525	42,2	4	313	90	108	125	11	20	25	95	110	120,6	264,4	327	3101	2987	1494

IPIRANGA PABS DOUBLE NUT

Reference	Recirculation	Nominal diameter	Lead	Ball diameter	Root diameter	Circuits	Dimensions					Dimensions					Loads and rigidity					
							Ln	D1	D4	D6	D5	L7	L1	L8	L9	Cam	Coam	Rsm	Rbt	Rnu	Rnu.ar	
DOUBLE NUT Ref	S/U/B Tipo	do mm	Ph mm	Dw mm	d3 mm	i units	mm	mm	mm	mm	mm	mm	mm	mm	mm	KN	KN	N/μm	N/μm	N/μm	N/μm	
DFB-50-30-9-5	B	50	30	9,525	42,2	5	373	90	108		125	11	20	25	95	110	146,9	333,8	327	3842	3702	1851
DFB-50-40-6-3	U	50	40	6,35	44,5	3	294	75	93		110	11	18	25	85	97,5	47,2	122,7	350	1981	1927	964
DFB-50-40-6-4	U	50	40	6,35	44,5	4	374	75	93		110	11	18	25	85	97,5	60,9	165,9	350	2613	2542	1271
DFB-50-40-8-3	U	50	40	7,938	43,3	3	298	85	103		120	11	18	25	95	107,5	69,5	153,7	338	2097	2047	1024
DFB-50-40-8-4	U	50	40	7,938	43,3	4	378	85	103		120	11	18	25	95	107,5	92,6	218,2	338	2892	2821	1411
DFB-50-40-9-2	B	50	40	9,525	42,2	2	216	90	108		125	11	20	25	95	110	62,1	120,4	327	1473	1434	717
DFB-50-40-9-3	B	50	40	9,525	42,2	3	296	90	108		125	11	20	25	95	110	88,5	182,5	327	2172	2116	1058
DFB-50-50-6-3	U	50	50	6,35	44,5	3	349	75	93		110	11	18	25	85	97,5	46,2	120,7	350	1915	1874	937
DFB-50-50-8-3	U	50	50	7,938	43,3	3	352	85	103		120	11	18	25	95	107,5	68,1	151,3	338	2028	1991	996
DFB-50-50-9-2	B	50	50	9,525	42,2	2	248	90	108		125	11	20	25	95	110	60,8	118,5	327	1425	1396	698
DFB-50-50-9-3	B	50	50	9,525	42,2	3	348	90	108		125	11	20	25	95	110	86,7	179,6	327	2101	2059	1030
DFB-63-5-4-3	S	63	5	3,969	60,06	3	82	90	108		125	11	18	10	95	110	28,7	107,2	614	2395	1881	941
DFB-63-5-4-4	S	63	5	3,969	60	4	99	90	108		125	11	18	10	95	110	37	145,4	614	3157	2485	1243
DFB-63-5-4-5	S	63	5	3,969	60	5	109	90	108		125	11	18	10	95	110	45	184,7	614	3911	3084	1542
DFB-63-5-4-6	S	63	5	3,969	60	6	119	90	108		125	11	18	10	95	110	52,8	225,1	614	4658	3679	1840
DFB-63-10-6-3	U	63	10	6,35	57,5	3	122	90	108		125	11	18	16	95	110	54	159,3	575	2524	2186	1093
DFB-63-10-6-4	U	63	10	6,35	57,5	4	142	90	108		125	11	18	16	95	110	69,6	215,3	575	3327	2886	1443
DFB-63-10-6-5	U	63	10	6,35	57,5	5	162	90	108		125	11	18	16	95	110	86,6	281,8	575	4244	3671	1836
DFB-63-10-6-6	U	63	10	6,35	57,5	6	182	90	108		125	11	18	16	95	110	101,9	342,6	575	5060	4381	2191
DFB-63-10-7-3	S	63	10	7,144	57,6	3	148	90	108		125	11	18	20	95	110	66	169,7	582	2488	2139	1070
DFB-63-10-7-4	S	63	10	7,144	57,6	4	160	90	108		125	11	18	20	95	110	84,9	229	582	3277	2822	1411
DFB-63-10-7-5	S	63	10	7,144	57,6	5	182	90	108		125	11	18	20	95	110	103,4	289,5	582	4061	3501	1751
DFB-63-10-7-6	S	63	10	7,144	57,6	6	203	90	108		125	11	18	20	95	110	121,5	351,3	582	4839	4175	2088
DFB-63-12-6-3	U	63	12	6,35	57,5	3	134	95	115		135	13,5	20	25	100	117,5	53,9	159,2	575	2520	2266	1133
DFB-63-12-6-4	U	63	12	6,35	57,5	4	158	95	115		135	13,5	20	25	100	117,5	69,5	215,2	575	3323	2991	1496
DFB-63-12-6-5	U	63	12	6,35	57,5	5	182	95	115		135	13,5	20	25	100	117,5	86,6	281,7	575	4240	3808	1904
DFB-63-12-6-6	U	63	12	6,35	57,5	6	206	95	115		135	13,5	20	25	100	117,5	101,8	342,4	575	5054	4543	2272
DFB-63-12-8-3	U	63	12	7,938	56,3	3	140	95	115		135	13,5	20	25	100	117,5	80	201,7	560	2690	2387	1194
DFB-63-12-8-4	S	63	12	7,938	57,1	4	198	95	115		135	13,5	20	25	100	117,5	96,2	245,1	576	3246	2903	1452
DFB-63-12-8-4	U	63	12	7,938	56,3	4	164	95	115		135	13,5	20	25	100	117,5	103	272	560	3546	3150	1575
DFB-63-12-8-5	S	63	12	7,938	57,1	5	223	95	115		135	13,5	20	25	100	117,5	117,1	309,7	576	4022	3600	1800
DFB-63-12-8-5	U	63	12	7,938	56,3	5	188	95	115		135	13,5	20	25	100	117,5	128,8	357,9	560	4555	4034	2017
DFB-63-12-8-6	S	63	12	7,938	57,1	6	248	95	115		135	13,5	20	25	100	117,5	137,5	375,5	576	4791	4291	2146
DFB-63-12-8-6	U	63	12	7,938	56,3	6	212	95	115		135	13,5	20	25	100	117,5	151,2	433,9	560	5426	4810	2405
DFB-63-12-8-7	U	63	12	7,938	56,3	7	236	95	115		135	13,5	20	25	100	117,5	173,3	511,2	560	6292	5581	2791
DFB-63-16-6-3	U	63	16	6,35	57,5	3	156	95	115		135	13,5	20	25	100	117,5	53,8	158,9	575	2513	2319	1160
DFB-63-16-6-4	U	63	16	6,35	57,5	4	188	95	115		135	13,5	20	25	100	117,5	69,4	214,9	575	3313	3059	1530
DFB-63-16-6-5	U	63	16	6,35	57,5	5	220	95	115		135	13,5	20	25	100	117,5	86,4	281,3	575	4228	3898	1949
DFB-63-16-6-6	U	63	16	6,35	57,5	6	252	95	115		135	13,5	20	25	100	117,5	101,6	341,9	575	5039	4648	2324
DFB-63-16-8-3	U	63	16	7,938	56,3	3	172	95	115		135	13,5	20	25	100	117,5	79,9	201,5	560	2683	2450	1225
DFB-63-16-8-4	S	63	16	7,938	57,1	4	234	95	115		135	13,5	20	25	100	117,5	93,1	233,6	576	3106	2863	1432
DFB-63-16-8-4	U	63	16	7,938	56,3	4	204	95	115		135	13,5	20	25	100	117,5	102,8	271,6	560	3535	3232	1616

IPIRANGA PABS DOUBLE NUT

Reference	Recirculation	Nominal diameter	Lead	Ball diameter	Root diameter	Circuits	Dimensions					Dimensions					Loads and rigidity				
							Ln	D1	D4	D6	D5	L7	L1	L8	L9	Cam KN	Coam KN	Rsm N/μm	Rbt N/μm	Rnu N/μm	Rnu.ar N/μm
DOUBLE NUT	S/U/B	do	Ph	Dw	d3	i	Ln	D1	D4	D6	D5	L7	L1	L8	L9	Cam	Coam	Rsm	Rbt	Rnu	Rnu.ar
Ref	Tipo	mm	mm	mm	mm	units	mm	mm	mm	mm	mm	mm	mm	mm	mm	KN	KN	N/μm	N/μm	N/μm	N/μm
DFB-63-16-8-5	S	63	16	7,938	57,1	5	267	95	115	135	13,5	20	25	100	117,5	113,3	295,2	576	3848	3549	1775
DFB-63-16-8-5	U	63	16	7,938	56,3	5	236	95	115	135	13,5	20	25	100	117,5	128,6	357,4	560	4542	4142	2071
DFB-63-16-8-6	S	63	16	7,938	57,1	6	300	95	115	135	13,5	20	25	100	117,5	133,1	358	576	4585	4232	2116
DFB-63-16-8-6	U	63	16	7,938	56,3	6	268	95	115	135	13,5	20	25	100	117,5	151	433,3	560	5411	4938	2469
DFB-63-16-8-7	U	63	16	7,938	56,3	7	300	95	115	135	13,5	20	25	100	117,5	173	510,5	560	6275	5729	2865
DFB-63-16-9-3	B	63	16	9,525	55,2	3	178	105	125	145	13,5	20	25	110	127,5	101,7	237,1	546	2757	2526	1263
DFB-63-16-9-4	B	63	16	9,525	55,2	4	210	105	125	145	13,5	20	25	110	127,5	135,2	335,2	546	3794	3466	1733
DFB-63-16-9-5	B	63	16	9,525	55,2	5	242	105	125	145	13,5	20	25	110	127,5	164,5	423,1	546	4700	4297	2149
DFB-63-16-9-6	B	63	16	9,525	55,2	6	279	100	120	140	13,5	20	25	105	122,5	193,3	512,6	546	5601	5124	2562
DFB-63-16-9-7	B	63	16	9,525	55,2	7	311	100	120	140	13,5	20	25	105	122,5	221,6	603,5	546	6496	5946	2973
DFB-63-16-9-8	B	63	16	9,525	55,2	8	343	100	120	140	13,5	20	25	105	122,5	248,5	689,7	546	7377	6755	3378
DFB-63-16-9-9	B	63	16	9,525	55,2	9	375	100	120	140	13,5	20	25	105	122,5	275	775,9	546	8254	7562	3781
DFB-63-16-9-10	B	63	16	9,525	55,2	10	407	100	120	140	13,5	20	25	105	122,5	301,1	862,1	546	9126	8364	4182
DFB-63-16-12-2	B	63	16	12,7	54	2	144	110	130	150	13,5	25	25	115	132,5	109	221,3	536	2049	1871	936
DFB-63-16-12-3	B	63	16	12,7	54	3	176	110	130	150	13,5	25	25	115	132,5	155,2	334,5	536	3021	2763	1382
DFB-63-16-12-4	B	63	16	12,7	54	4	208	110	130	150	13,5	25	25	115	132,5	199,5	449,5	536	3979	3643	1822
DFB-63-16-12-5	B	63	16	12,7	54	5	240	110	130	150	13,5	25	25	115	132,5	242,7	566,1	536	4929	4516	2258
DFB-63-16-12-6	B	63	16	12,7	54	6	272	110	130	150	13,5	25	25	115	132,5	285	684,3	536	5872	5383	2692
DFB-63-16-12-7	B	63	16	12,7	54	7	320	110	130	150	13,5	25	25	115	132,5	326,5	804,1	536	6809	6245	3123
DFB-63-16-12-8	B	63	16	12,7	54	8	352	110	130	150	13,5	25	25	115	132,5	366,3	918,9	536	7733	7096	3548
DFB-63-16-12-9	B	63	16	12,7	54	9	384	110	130	150	13,5	25	25	115	132,5	405,3	1033,8	536	8652	7943	3972
DFB-63-16-12-10	B	63	16	12,7	54	10	416	110	130	150	13,5	25	25	115	132,5	443,8	1148,7	536	9567	8787	4394
DFB-63-20-6-3	U	63	20	6,35	57,5	3	178	95	115	135	13,5	20	25	100	117,5	53,7	158,7	575	2504	2347	1174
DFB-63-20-6-4	U	63	20	6,35	57,5	4	218	95	115	135	13,5	20	25	100	117,5	69,2	214,5	575	3301	3096	1548
DFB-63-20-6-5	U	63	20	6,35	57,5	5	258	95	115	135	13,5	20	25	100	117,5	86,2	280,8	575	4212	3946	1973
DFB-63-20-6-6	U	63	20	6,35	57,5	6	298	95	115	135	13,5	20	25	100	117,5	101,4	341,3	575	5021	4705	2353
DFB-63-20-8-3	U	63	20	7,938	56,3	3	184	95	115	135	13,5	20	25	100	117,5	79,7	201,1	560	2673	2485	1243
DFB-63-20-8-4	U	63	20	7,938	56,3	4	224	95	115	135	13,5	20	25	100	117,5	102,6	271,1	560	3523	3278	1639
DFB-63-20-8-5	U	63	20	7,938	56,3	5	264	95	115	135	13,5	20	25	100	117,5	128,3	356,8	560	4525	4202	2101
DFB-63-20-8-6	U	63	20	7,938	56,3	6	304	95	115	135	13,5	20	25	100	117,5	150,6	432,5	560	5390	5008	2504
DFB-63-20-8-7	U	63	20	7,938	56,3	7	344	95	115	135	13,5	20	25	100	117,5	172,6	509,6	560	6252	5811	2906
DFB-63-20-9-3	S	63	20	9,525	55,9	3	236	95	115	135	13,5	20	25	100	117,5	90	197,3	559	2333	2176	1088
DFB-63-20-9-3	U	63	20	9,525	55,2	3	209	105	125	145	13,5	20	25	110	127,5	101,5	236,7	546	2748	2578	1289
DFB-63-20-9-3	B	63	20	9,525	55,2	3	209	105	125	145	13,5	20	25	110	127,5	101,5	236,7	546	2748	2561	1281
DFB-63-20-9-4	S	63	20	9,525	55,9	4	278	95	115	135	13,5	20	25	100	117,5	115,8	265,6	559	3074	2869	1435
DFB-63-20-9-4	U	63	20	9,525	55,2	4	249	105	125	145	13,5	20	25	110	127,5	134,9	334,7	546	3780	3538	1769
DFB-63-20-9-4	B	63	20	9,525	55,2	4	249	105	125	145	13,5	20	25	110	127,5	134,9	334,7	546	3780	3515	1758
DFB-63-20-9-5	S	63	20	9,525	55,9	5	320	95	115	135	13,5	20	25	100	117,5	140,9	335,3	559	3808	3556	1778
DFB-63-20-9-5	U	63	20	9,525	55,2	5	289	105	125	145	13,5	20	25	110	127,5	164,2	422,4	546	4684	4387	2194
DFB-63-20-9-5	B	63	20	9,525	55,2	5	289	105	125	145	13,5	20	25	110	127,5	164,2	422,4	546	4684	4358	2179
DFB-63-20-9-6	U	63	20	9,525	55,2	6	329	105	125	145	13,5	20	25	110	127,5	192,9	511,7	546	5581	5229	2615
DFB-63-20-9-6	B	63	20	9,525	55,2	6	335	100	120	140	13,5	20	25	105	122,5	192,9	511,7	546	5581	5195	2598

IPIRANGA PABS DOUBLE NUT

Reference	Recirculation	Nominal diameter	Lead	Ball diameter	Root diameter	Circuits	Dimensions					Dimensions					Loads and rigidity				
							Ln	D1	D4	D6	D5	L7	L1	L8	L9	Cam	Coam	Rsm	Rbt	Rnu	Rnu.ar
DOUBLE NUT Ref	S/U/B Tipo	do mm	Ph mm	Dw mm	d3 mm	i units	mm	mm	mm	mm	mm	mm	mm	mm	mm	KN	KN	N/μm	N/μm	N/μm	N/μm
DFB-63-20-9-7	U	63	20	9,525	55,2	7	369	105	125	145	13,5	20	25	110	127,5	221,1	602,4	546	6473	6067	3034
DFB-63-20-9-7	B	63	20	9,525	55,2	7	375	100	120	140	13,5	20	25	105	122,5	221,1	602,4	546	6473	6028	3014
DFB-63-20-9-8	U	63	20	9,525	55,2	8	409	105	125	145	13,5	20	25	110	127,5	248	688,5	546	7351	6893	3447
DFB-63-20-9-8	B	63	20	9,525	55,2	8	415	100	120	140	13,5	20	25	105	122,5	248	688,5	546	7351	6849	3425
DFB-63-20-9-9	U	63	20	9,525	55,2	9	449	105	125	145	13,5	20	25	110	127,5	274,4	774,6	546	8224	7714	3857
DFB-63-20-9-9	B	63	20	9,525	55,2	9	455	100	120	140	13,5	20	25	105	122,5	274,4	774,6	546	8224	7665	3833
DFB-63-20-9-10	B	63	20	9,525	55,2	10	495	100	120	140	13,5	20	25	105	122,5	300,4	860,6	546	9093	8478	4239
DFB-63-20-12-3	B	63	20	12,7	54	3	204	110	130	150	13,5	25	25	115	132,5	154,8	334	536	3010	2802	1401
DFB-63-20-12-4	B	63	20	12,7	54	4	244	110	130	150	13,5	25	25	115	132,5	199,1	448,7	536	3965	3693	1847
DFB-63-20-12-5	B	63	20	12,7	54	5	284	110	130	150	13,5	25	25	115	132,5	242,2	565,2	536	4912	4578	2289
DFB-63-20-12-6	B	63	20	12,7	54	6	324	110	130	150	13,5	25	25	115	132,5	284,4	683,2	536	5852	5457	2729
DFB-63-20-12-7	B	63	20	12,7	54	7	384	110	130	150	13,5	25	25	115	132,5	325,8	802,8	536	6786	6330	3165
DFB-63-20-12-8	B	63	20	12,7	54	8	424	110	130	150	13,5	25	25	115	132,5	365,5	917,4	536	7707	7193	3597
DFB-63-20-12-9	B	63	20	12,7	54	9	464	110	130	150	13,5	25	25	115	132,5	404,5	1032,1	536	8623	8050	4025
DFB-63-20-12-10	B	63	20	12,7	54	10	504	110	130	150	13,5	25	25	115	132,5	442,8	1146,8	536	9534	8904	4452
DFB-63-20-15-2	B	63	20	15,875	50	2	175	120	140	160	13,5	30	25	125	142,5	147	328,2	477	2168	2023	1012
DFB-63-20-15-3	B	63	20	15,875	50	3	215	120	140	160	13,5	30	25	125	142,5	209,4	496	477	3197	2986	1493
DFB-63-20-15-4	B	63	20	15,875	50	4	255	120	140	160	13,5	30	25	125	142,5	269,5	666,3	477	4212	3937	1969
DFB-63-20-15-5	B	63	20	15,875	50	5	295	120	140	160	13,5	30	25	125	142,5	328,2	839	477	5219	4880	2440
DFB-63-20-15-6	B	63	20	15,875	50	6	335	120	140	160	13,5	30	25	125	142,5	385,7	1014	477	6220	5819	2910
DFB-63-20-15-7	B	63	20	15,875	50	7	375	120	140	160	13,5	30	25	125	142,5	442,4	1191,3	477	7215	6752	3376
DFB-63-20-15-8	B	63	20	15,875	50	8	415	120	140	160	13,5	30	25	125	142,5	496,3	1361,5	477	8195	7672	3836
DFB-63-20-15-9	B	63	20	15,875	50	9	475	120	140	160	13,5	30	25	125	142,5	549,2	1531,7	477	9169	8587	4294
DFB-63-20-15-10	B	63	20	15,875	50	10	515	120	140	160	13,5	30	25	125	142,5	601,2	1701,9	477	10137	9497	4749
DFB-63-30-6-3	U	63	30	6,35	57,5	3	247	95	115	135	13,5	20	25	100	117,5	53,3	157,7	575	2473	2369	1185
DFB-63-30-6-4	U	63	30	6,35	57,5	4	307	95	115	135	13,5	20	25	100	117,5	68,7	213,2	575	3259	3123	1562
DFB-63-30-6-5	U	63	30	6,35	57,5	5	367	95	115	135	13,5	20	25	100	117,5	85,5	279,1	575	4158	3981	1991
DFB-63-30-6-6	U	63	30	6,35	57,5	6	427	95	115	135	13,5	20	25	100	117,5	100,6	339,2	575	4957	4748	2374
DFB-63-30-8-3	U	63	30	7,938	56,3	3	249	95	115	135	13,5	20	25	100	117,5	79,1	199,9	560	2640	2515	1258
DFB-63-30-8-4	U	63	30	7,938	56,3	4	309	95	115	135	13,5	20	25	100	117,5	101,8	269,5	560	3479	3316	1658
DFB-63-30-8-5	U	63	30	7,938	56,3	5	369	95	115	135	13,5	20	25	100	117,5	127,3	354,6	560	4469	4254	2127
DFB-63-30-8-6	U	63	30	7,938	56,3	6	429	95	115	135	13,5	20	25	100	117,5	149,5	429,9	560	5324	5069	2535
DFB-63-30-9-3	U	63	30	9,525	55,2	3	256	105	125	145	13,5	20	25	110	127,5	100,7	235,3	546	2714	2601	1301
DFB-63-30-9-3	B	63	30	9,525	55,2	3	256	105	125	145	13,5	20	25	110	127,5	100,7	235,3	546	2714	2590	1295
DFB-63-30-9-4	U	63	30	9,525	55,2	4	316	105	125	145	13,5	20	25	110	127,5	133,9	332,7	546	3734	3573	1787
DFB-63-30-9-4	B	63	30	9,525	55,2	4	316	105	125	145	13,5	20	25	110	127,5	133,9	332,7	546	3734	3558	1779
DFB-63-30-9-5	U	63	30	9,525	55,2	5	376	105	125	145	13,5	20	25	110	127,5	162,9	419,9	546	4626	4429	2215
DFB-63-30-9-5	B	63	30	9,525	55,2	5	376	105	125	145	13,5	20	25	110	127,5	162,9	419,9	546	4626	4409	2205
DFB-63-30-9-6	U	63	30	9,525	55,2	6	436	105	125	145	13,5	20	25	110	127,5	191,4	508,7	546	5512	5278	2639
DFB-63-30-9-6	B	63	30	9,525	55,2	6	460	100	120	140	13,5	20	25	105	122,5	191,4	508,7	546	5512	5255	2628
DFB-63-30-12-3	B	63	30	12,7	54	3	259	110	130	150	13,5	25	25	115	132,5	153,7	332,1	536	2975	2836	1418
DFB-63-30-12-4	B	63	30	12,7	54	4	319	110	130	150	13,5	25	25	115	132,5	197,7	446,3	536	3920	3739	1870

IPIRANGA PABS DOUBLE NUT

Reference	Recirculation	Nominal diameter	Lead	Ball diameter	Root diameter	Circuits	Dimensions					Dimensions					Loads and rigidity					
							Ln	D1	D4	D6	D5	L7	L1	L8	L9	Cam	Coam	Rsm	Rbt	Rnu	Rnu.ar	
DOUBLE NUT Ref	S/U/B Tipo	do mm	Ph mm	Dw mm	d3 mm	i units	mm	mm	mm	mm	mm	mm	mm	mm	mm	KN	KN	N/μm	N/μm	N/μm	N/μm	
DFB-63-30-12-5	B	63	30	12,7	54	5	379	110	130		150	13,5	25	25	115	132,5	240,4	562	536	4855	4633	2317
DFB-63-30-12-6	B	63	30	12,7	54	6	439	110	130		150	13,5	25	25	115	132,5	282,3	679,4	536	5783	5520	2760
DFB-63-30-15-3	B	63	30	15,875	50	3	270	120	140		160	13,5	30	25	125	142,5	207,9	493,2	477	3159	3018	1509
DFB-63-30-15-4	B	63	30	15,875	50	4	330	120	140		160	13,5	30	25	125	142,5	267,6	662,5	477	4163	3980	1990
DFB-63-30-15-5	B	63	30	15,875	50	5	390	120	140		160	13,5	30	25	125	142,5	325,7	834,2	477	5157	4932	2466
DFB-63-30-15-6	B	63	30	15,875	50	6	450	120	140		160	13,5	30	25	125	142,5	382,9	1008,2	477	6146	5879	2940
DFB-63-40-6-3	U	63	40	6,35	57,5	3	296	95	115		135	13,5	20	25	100	117,5	52,7	156,4	575	2429	2353	1177
DFB-63-40-6-4	U	63	40	6,35	57,5	4	376	95	115		135	13,5	20	25	100	117,5	67,9	211,4	575	3202	3103	1552
DFB-63-40-6-5	U	63	40	6,35	57,5	5	456	95	115		135	13,5	20	25	100	117,5	84,6	276,8	575	4086	3957	1979
DFB-63-40-8-3	U	63	40	7,938	56,3	3	296	95	115		135	13,5	20	25	100	117,5	78,3	198,3	560	2595	2503	1252
DFB-63-40-8-4	U	63	40	7,938	56,3	4	376	95	115		135	13,5	20	25	100	117,5	100,7	267,3	560	3419	3300	1650
DFB-63-40-8-5	U	63	40	7,938	56,3	5	456	95	115		135	13,5	20	25	100	117,5	125,9	351,7	560	4391	4233	2117
DFB-63-40-9-2	B	63	40	9,525	55,2	2	222	105	125		145	13,5	20	25	110	127,5	70	154	546	1810	1747	874
DFB-63-40-9-3	U	63	40	9,525	55,2	3	302	105	125		145	13,5	20	25	110	127,5	99,6	233,4	546	2667	2584	1292
DFB-63-40-9-3	B	63	40	9,525	55,2	3	302	105	125		145	13,5	20	25	110	127,5	99,6	233,4	546	2667	2576	1288
DFB-63-40-9-4	U	63	40	9,525	55,2	4	382	105	125		145	13,5	20	25	110	127,5	132,5	330	546	3671	3553	1777
DFB-63-40-9-4	B	63	40	9,525	55,2	4	382	105	125		145	13,5	20	25	110	127,5	132,5	330	546	3671	3542	1771
DFB-63-40-9-5	U	63	40	9,525	55,2	5	462	105	125		145	13,5	20	25	110	127,5	161,2	416,5	546	4547	4403	2202
DFB-63-40-9-5	B	63	40	9,525	55,2	5	462	105	125		145	13,5	20	25	110	127,5	161,2	416,5	546	4547	4388	2194
DFB-63-40-12-2	B	63	40	12,7	54	2	244	110	130		150	13,5	25	25	115	132,5	106,9	218	536	1986	1916	958
DFB-63-40-12-3	B	63	40	12,7	54	3	324	110	130		150	13,5	25	25	115	132,5	152,2	329,6	536	2928	2826	1413
DFB-63-40-12-4	B	63	40	12,7	54	4	404	110	130		150	13,5	25	25	115	132,5	195,7	442,8	536	3857	3724	1862
DFB-63-40-12-5	B	63	40	12,7	54	5	484	110	130		150	13,5	25	25	115	132,5	238,1	557,7	536	4777	4614	2307
DFB-63-40-15-2	B	63	40	15,875	50	2	255	120	140		160	13,5	30	25	125	142,5	144,4	323,8	477	2107	2036	1018
DFB-63-40-15-3	B	63	40	15,875	50	3	335	120	140		160	13,5	30	25	125	142,5	205,8	489,4	477	3107	3004	1502
DFB-63-40-15-4	B	63	40	15,875	50	4	415	120	140		160	13,5	30	25	125	142,5	480,7	1314,7	477	4994	4795	2398
DFB-63-40-15-5	B	63	40	15,875	50	5	495	120	140		160	13,5	30	25	125	142,5	683,7	1700,8	477	6845	6547	3274
DFB-63-40-15-6	B	63	40	15,875	50	6	615	120	140		160	13,5	30	25	125	142,5	803,6	2057,7	477	8157	7804	3902
DFB-63-50-6-3	U	63	50	6,35	57,5	3	354	95	115		135	13,5	20	25	100	117,5	52	154,7	575	2376	2318	1159
DFB-63-50-6-4	U	63	50	6,35	57,5	4	454	95	115		135	13,5	20	25	100	117,5	67	209,2	575	3132	3056	1528
DFB-63-50-8-3	U	63	50	7,938	56,3	3	356	95	115		135	13,5	20	25	100	117,5	77,2	196,2	560	2538	2467	1234
DFB-63-50-8-4	U	63	50	7,938	56,3	4	456	95	115		135	13,5	20	25	100	117,5	99,3	264,5	560	3344	3252	1626
DFB-63-50-9-2	B	63	50	9,525	55,2	2	256	105	125		145	13,5	20	25	110	127,5	69	152,4	546	1771	1723	862
DFB-63-50-9-3	B	63	50	9,525	55,2	3	356	105	125		145	13,5	20	25	110	127,5	98,3	231	546	2610	2540	1270
DFB-63-50-9-4	B	63	50	9,525	55,2	4	456	105	125		145	13,5	20	25	110	127,5	130,7	326,6	546	3592	3492	1746
DFB-63-50-12-2	B	63	50	12,7	54	2	289	110	130		150	13,5	25	25	115	132,5	105,6	215,9	536	1946	1892	946
DFB-63-50-12-3	B	63	50	12,7	54	3	389	110	130		150	13,5	25	25	115	132,5	150,3	326,4	536	2869	2790	1395
DFB-63-50-12-4	B	63	50	12,7	54	4	489	110	130		150	13,5	25	25	115	132,5	193,3	438,6	536	3779	3676	1838
DFB-63-50-15-2	B	63	50	15,875	50	2	300	120	140		160	13,5	30	25	125	142,5	142,6	320,6	477	2064	2009	1005
DFB-63-50-15-3	B	63	50	15,875	50	3	400	120	140		160	13,5	30	25	125	142,5	203,1	484,5	477	3043	2963	1482
DFB-63-50-15-4	B	63	50	15,875	50	4	500	120	140		160	13,5	30	25	125	142,5	261,4	650,9	477	4010	3906	1953
DFB-63-50-15-5	B	63	50	15,875	50	5	650	120	140		160	13,5	30	25	125	142,5	318,3	819,5	477	4968	4840	2420

IPIRANGA
PABS
DOUBLE NUT

Reference	Recirculation	Nominal diameter	Lead	Ball diameter	Root diameter	Circuits	Dimensions					Dimensions					Loads and rigidity				
							Ln	D1	D4	D6	D5	L7	L1	L8	L9	Cam KN	Coam KN	Rsm N/μm	Rbt N/μm	Rnu N/μm	Rnu.ar N/μm
DOUBLE NUT Ref	S/U/B Tipo	do mm	Ph mm	Dw mm	d3 mm	i units	Ln mm	D1 mm	D4 mm	D6 mm	D5 mm	L7 mm	L1 mm	L8 mm	L9 mm	Cam KN	Coam KN	Rsm N/μm	Rbt N/μm	Rnu N/μm	Rnu.ar N/μm
DFB-70-10-6-3	U	70	10	6,35	64,5	3	122	105	123	140	11	20	25	110	125	56,1	175,8	719	2725	2381	1191
DFB-70-10-6-4	U	70	10	6,35	64,5	4	142	105	123	140	11	20	25	110	125	73,7	244,9	719	3688	3216	1608
DFB-70-10-6-5	U	70	10	6,35	64,5	5	162	105	123	140	11	20	25	110	125	89,8	310,2	719	4571	3990	1995
DFB-70-12-8-3	U	70	12	7,938	63,3	3	152	105	125	145	13,5	20	25	110	127,5	84,4	227,9	703	2964	2605	1303
DFB-70-12-8-4	U	70	12	7,938	63,3	4	176	105	125	145	13,5	20	25	110	127,5	108,6	307,2	703	3906	3437	1719
DFB-70-12-8-5	U	70	12	7,938	63,3	5	200	105	125	145	13,5	20	25	110	127,5	132,2	388,1	703	4839	4263	2132
DFB-70-12-8-6	U	70	12	7,938	63,3	6	224	105	125	145	13,5	20	25	110	127,5	159	487,9	703	5954	5229	2615
DFB-70-16-8-3	U	70	16	7,938	63,3	3	171	105	125	145	13,5	20	25	110	127,5	84,3	227,7	703	2958	2681	1341
DFB-70-16-8-4	U	70	16	7,938	63,3	4	203	105	125	145	13,5	20	25	110	127,5	108,5	306,9	703	3897	3536	1768
DFB-70-16-8-5	U	70	16	7,938	63,3	5	235	105	125	145	13,5	20	25	110	127,5	132	387,7	703	4828	4385	2193
DFB-70-16-8-6	U	70	16	7,938	63,3	6	267	105	125	145	13,5	20	25	110	127,5	158,8	487,4	703	5940	5382	2691
DFB-70-16-9-3	B	70	16	9,525	62,2	3	179	110	130	150	13,5	25	25	115	132,5	109,2	274,1	687	3102	2814	1407
DFB-70-16-9-4	B	70	16	9,525	62,2	4	211	110	130	150	13,5	25	25	115	132,5	140,5	369,1	687	4088	3712	1856
DFB-70-16-9-5	B	70	16	9,525	62,2	5	247	110	130	150	13,5	25	25	115	132,5	170,9	465,9	687	5063	4601	2301
DFB-70-16-9-6	B	70	16	9,525	62,2	6	279	110	130	150	13,5	25	25	115	132,5	200,7	564,3	687	6032	5486	2743
DFB-70-16-9-7	B	70	16	9,525	62,2	7	311	110	130	150	13,5	25	25	115	132,5	230,1	664,3	687	6997	6366	3183
DFB-70-16-9-8	B	70	16	9,525	62,2	8	343	110	130	150	13,5	25	25	115	132,5	258	759,2	687	7945	7233	3617
DFB-70-16-9-9	B	70	16	9,525	62,2	9	391	110	130	150	13,5	25	25	115	132,5	285,6	854,1	687	8890	8097	4049
DFB-70-16-9-10	B	70	16	9,525	62,2	10	423	110	130	150	13,5	25	25	115	132,5	312,6	949	687	9829	8956	4478
DFB-70-16-12-2	B	70	16	12,7	61	2	144	120	140	160	13,5	25	25	125	142,5	111,6	236,7	676	2153	1958	979
DFB-70-16-12-3	B	70	16	12,7	61	3	176	120	140	160	13,5	25	25	125	142,5	158,8	357,8	676	3173	2890	1445
DFB-70-16-12-4	B	70	16	12,7	61	4	208	120	140	160	13,5	25	25	125	142,5	212,1	509	676	4397	3990	1995
DFB-70-16-12-5	B	70	16	12,7	61	5	240	120	140	160	13,5	25	25	125	142,5	258	641	676	5447	4947	2474
DFB-70-16-12-6	B	70	16	12,7	61	6	272	120	140	160	13,5	25	25	125	142,5	302,8	774,8	676	6488	5896	2948
DFB-70-16-12-7	B	70	16	12,7	61	7	320	120	140	160	13,5	25	25	125	142,5	346,9	910,4	676	7523	6841	3421
DFB-70-16-12-8	B	70	16	12,7	61	8	352	120	140	160	13,5	25	25	125	142,5	389,1	1040,4	676	8544	7773	3887
DFB-70-16-12-9	B	70	16	12,7	61	9	384	120	140	160	13,5	25	25	125	142,5	430,6	1170,5	676	9560	8702	4351
DFB-70-16-12-10	B	70	16	12,7	61	10	416	120	140	160	13,5	25	25	125	142,5	471,4	1300,5	676	10569	9625	4813
DFB-70-20-8-3	U	70	20	7,938	63,3	3	202	105	125	145	13,5	20	25	110	127,5	84,2	227,3	703	2950	2726	1363
DFB-70-20-8-4	U	70	20	7,938	63,3	4	242	105	125	145	13,5	20	25	110	127,5	108,3	306,5	703	3886	3594	1797
DFB-70-20-8-5	U	70	20	7,938	63,3	5	282	105	125	145	13,5	20	25	110	127,5	131,7	387,1	703	4813	4454	2227
DFB-70-20-8-6	U	70	20	7,938	63,3	6	322	105	125	145	13,5	20	25	110	127,5	158,5	486,7	703	5923	5470	2735
DFB-70-20-9-3	U	70	20	9,525	62,2	3	198	110	130	150	13,5	25	25	115	132,5	105,8	261,8	687	2973	2757	1379
DFB-70-20-9-3	B	70	20	9,525	62,2	3	198	110	130	150	13,5	25	25	115	132,5	109	273,7	687	3093	2860	1430
DFB-70-20-9-4	U	70	20	9,525	62,2	4	238	110	130	150	13,5	25	25	115	132,5	140,2	368,6	687	4075	3771	1886
DFB-70-20-9-4	B	70	20	9,525	62,2	4	238	110	130	150	13,5	25	25	115	132,5	140,2	368,6	687	4075	3771	1886
DFB-70-20-9-5	U	70	20	9,525	62,2	5	278	110	130	150	13,5	25	25	115	132,5	170,6	465,2	687	5048	4674	2337
DFB-70-20-9-5	B	70	20	9,525	62,2	5	295	110	130	150	13,5	25	25	115	132,5	170,6	465,2	687	5048	4674	2337
DFB-70-20-9-6	U	70	20	9,525	62,2	6	318	110	130	150	13,5	25	25	115	132,5	200,4	563,5	687	6015	5572	2786
DFB-70-20-9-6	B	70	20	9,525	62,2	6	335	110	130	150	13,5	25	25	115	132,5	200,4	563,5	687	6015	5572	2786
DFB-70-20-9-7	U	70	20	9,525	62,2	7	358	110	130	150	13,5	25	25	115	132,5	229,6	663,4	687	6975	6464	3232
DFB-70-20-9-7	B	70	20	9,525	62,2	7	375	110	130	150	13,5	25	25	115	132,5	229,6	663,4	687	6975	6464	3232

PABS

IPIRANGA
PABS
DOUBLE NUT

Reference	Recirculation	Nominal diameter	Lead	Ball diameter	Root diameter	Circuits	Dimensions					Dimensions					Loads and rigidity				
							Ln	D1	D4	D6	D5	L7	L1	L8	L9	Cam	Coam	Rsm	Rbt	Rnu	Rnu.ar
DOUBLE NUT Ref	S/U/B Tipo	do mm	Ph mm	Dw mm	d3 mm	i units	mm	mm	mm	mm	mm	mm	mm	mm	mm	KN	KN	N/μm	N/μm	N/μm	N/μm
DFB-70-20-9-8	U	70	20	9,525	62,2	8	398	110	130	150	13,5	25	25	115	132,5	257,6	758,1	687	7923	7346	3673
DFB-70-20-9-8	B	70	20	9,525	62,2	8	415	110	130	150	13,5	25	25	115	132,5	257,6	758,1	687	7923	7346	3673
DFB-70-20-9-9	B	70	20	9,525	62,2	9	475	110	130	150	13,5	25	25	115	132,5	285	852,9	687	8864	8222	4111
DFB-70-20-9-10	B	70	20	9,525	62,2	10	515	110	130	150	13,5	25	25	115	132,5	312,1	947,7	687	9801	9094	4547
DFB-70-20-12-3	B	70	20	12,7	61	3	219	120	140	160	13,5	25	25	125	142,5	158,6	357,3	676	3165	2935	1468
DFB-70-20-12-4	B	70	20	12,7	61	4	259	120	140	160	13,5	25	25	125	142,5	211,8	508,3	676	4385	4055	2028
DFB-70-20-12-5	B	70	20	12,7	61	5	299	120	140	160	13,5	25	25	125	142,5	257,5	640,1	676	5431	5026	2513
DFB-70-20-12-6	B	70	20	12,7	61	6	339	120	140	160	13,5	25	25	125	142,5	302,3	773,8	676	6470	5990	2995
DFB-70-20-12-7	B	70	20	12,7	61	7	384	120	140	160	13,5	25	25	125	142,5	346,3	909,1	676	7502	6949	3475
DFB-70-20-12-8	B	70	20	12,7	61	8	424	120	140	160	13,5	25	25	125	142,5	388,4	1039	676	8520	7896	3948
DFB-70-20-12-9	B	70	20	12,7	61	9	464	120	140	160	13,5	25	25	125	142,5	429,8	1168,9	676	9533	8838	4419
DFB-70-20-12-10	B	70	20	12,7	61	10	504	120	140	160	13,5	25	25	125	142,5	470,6	1298,8	676	10540	9775	4888
DFB-70-30-8-3	U	70	30	7,938	63,3	3	250	105	125	145	13,5	20	25	110	127,5	83,6	226,2	703	2919	2769	1385
DFB-70-30-8-4	U	70	30	7,938	63,3	4	310	105	125	145	13,5	20	25	110	127,5	107,6	305	703	3846	3650	1825
DFB-70-30-8-5	U	70	30	7,938	63,3	5	370	105	125	145	13,5	20	25	110	127,5	130,9	385,2	703	4764	4523	2262
DFB-70-30-8-6	U	70	30	7,938	63,3	6	430	105	125	145	13,5	20	25	110	127,5	157,5	484,3	703	5862	5559	2780
DFB-70-30-9-3	U	70	30	9,525	62,2	3	256	110	130	150	13,5	25	25	115	132,5	105,2	260,6	687	2944	2799	1400
DFB-70-30-9-3	B	70	30	9,525	62,2	3	256	110	130	150	13,5	25	25	115	132,5	108,3	272,4	687	3062	2906	1453
DFB-70-30-9-4	U	70	30	9,525	62,2	4	316	110	130	150	13,5	25	25	115	132,5	139,4	366,8	687	4035	3831	1916
DFB-70-30-9-4	B	70	30	9,525	62,2	4	316	110	130	150	13,5	25	25	115	132,5	139,4	366,8	687	4035	3831	1916
DFB-70-30-9-5	U	70	30	9,525	62,2	5	376	110	130	150	13,5	25	25	115	132,5	169,6	463	687	4998	4748	2374
DFB-70-30-9-5	B	70	30	9,525	62,2	5	400	110	130	150	13,5	25	25	115	132,5	169,6	463	687	4998	4748	2374
DFB-70-30-9-6	U	70	30	9,525	62,2	6	436	110	130	150	13,5	25	25	115	132,5	199,1	560,8	687	5954	5658	2829
DFB-70-30-9-6	B	70	30	9,525	62,2	6	460	110	130	150	13,5	25	25	115	132,5	199,1	560,8	687	5954	5658	2829
DFB-70-30-12-3	B	70	30	12,7	61	3	266	120	140	160	13,5	25	25	125	142,5	157,6	355,7	676	3134	2980	1490
DFB-70-30-12-4	B	70	30	12,7	61	4	326	120	140	160	13,5	25	25	125	142,5	210,5	506	676	4343	4122	2061
DFB-70-30-12-5	B	70	30	12,7	61	5	386	120	140	160	13,5	25	25	125	142,5	256	637,2	676	5379	5107	2554
DFB-70-30-12-6	B	70	30	12,7	61	6	446	120	140	160	13,5	25	25	125	142,5	300,5	770,2	676	6408	6086	3043
DFB-70-40-8-3	U	70	40	7,938	63,3	3	298	105	125	145	13,5	20	25	110	127,5	82,9	224,7	703	2878	2767	1384
DFB-70-40-8-4	U	70	40	7,938	63,3	4	378	105	125	145	13,5	20	25	110	127,5	106,7	302,9	703	3792	3647	1824
DFB-70-40-8-5	U	70	40	7,938	63,3	5	458	105	125	145	13,5	20	25	110	127,5	129,7	382,6	703	4696	4518	2259
DFB-70-40-9-2	B	70	40	9,525	62,2	2	224	110	130	150	13,5	25	25	115	132,5	75,4	178,6	687	2048	1969	985
DFB-70-40-9-3	U	70	40	9,525	62,2	3	304	110	130	150	13,5	25	25	115	132,5	104,2	258,8	687	2902	2795	1398
DFB-70-40-9-3	B	70	40	9,525	62,2	3	304	110	130	150	13,5	25	25	115	132,5	107,4	270,6	687	3020	2905	1453
DFB-70-40-9-4	U	70	40	9,525	62,2	4	384	110	130	150	13,5	25	25	115	132,5	138,2	364,4	687	3979	3828	1914
DFB-70-40-9-4	B	70	40	9,525	62,2	4	384	110	130	150	13,5	25	25	115	132,5	138,2	364,4	687	3979	3828	1914
DFB-70-40-9-5	U	70	40	9,525	62,2	5	464	110	130	150	13,5	25	25	115	132,5	168,1	459,9	687	4928	4743	2372
DFB-70-40-9-5	B	70	40	9,525	62,2	5	515	110	130	150	13,5	25	25	115	132,5	168,1	459,9	687	4928	4743	2372
DFB-70-40-12-2	B	70	40	12,7	61	2	252	120	140	160	13,5	25	25	125	142,5	109,9	233,8	676	2099	2021	1011
DFB-70-40-12-3	B	70	40	12,7	61	3	332	120	140	160	13,5	25	25	125	142,5	156,3	353,5	676	3092	2978	1489
DFB-70-40-12-4	B	70	40	12,7	61	4	412	120	140	160	13,5	25	25	125	142,5	208,8	502,8	676	4286	4122	2061
DFB-70-40-12-5	B	70	40	12,7	61	5	492	120	140	160	13,5	25	25	125	142,5	253,9	633,2	676	5308	5107	2554

PABS

IPIRANGA
PABS
DOUBLE NUT

Reference	Recirculation	Nominal diameter	Lead	Ball diameter	Root diameter	Circuits	Dimensions					Dimensions					Loads and rigidity				
							Ln	D1	D4	D6	D5	L7	L1	L8	L9	Cam KN	Coam KN	Rsm N/μm	Rbt N/μm	Rnu N/μm	Rnu.ar N/μm
DOUBLE NUT	S/U/B	do	Ph	Dw	d3	i	Ln	D1	D4	D6	D5	L7	L1	L8	L9	Cam	Coam	Rsm	Rbt	Rnu	Rnu.ar
Ref	Tipo	mm	mm	mm	mm	units	mm	mm	mm	mm	mm	mm	mm	mm	mm	KN	KN	N/μm	N/μm	N/μm	N/μm
DFB-70-50-8-3	U	70	50	7,938	63,3	3	358	105	125	145	13,5	20	25	110	127,5	82	222,8	703	2827	2741	1371
DFB-70-50-8-4	U	70	50	7,938	63,3	4	458	105	125	145	13,5	20	25	110	127,5	105,5	300,3	703	3724	3612	1806
DFB-70-50-9-2	B	70	50	9,525	62,2	2	258	110	130	150	13,5	25	25	115	132,5	74,6	177,1	687	2012	1950	975
DFB-70-50-9-3	U	70	50	9,525	62,2	3	358	110	130	150	13,5	25	25	115	132,5	103,1	256,7	687	2851	2768	1384
DFB-70-50-9-3	B	70	50	9,525	62,2	3	358	110	130	150	13,5	25	25	115	132,5	106,2	268,3	687	2966	2876	1438
DFB-70-50-9-4	U	70	50	9,525	62,2	4	458	110	130	150	13,5	25	25	115	132,5	136,6	361,3	687	3908	3791	1896
DFB-70-50-9-4	B	70	50	9,525	62,2	4	458	110	130	150	13,5	25	25	115	132,5	136,6	361,3	687	3908	3791	1896
DFB-70-50-12-2	B	70	50	12,7	61	2	270	120	140	160	13,5	25	25	125	142,5	108,7	232	676	2063	2002	1001
DFB-70-50-12-3	B	70	50	12,7	61	3	370	120	140	160	13,5	25	25	125	142,5	154,7	350,6	676	3041	2953	1477
DFB-70-50-12-4	B	70	50	12,7	61	4	470	120	140	160	13,5	25	25	125	142,5	206,6	498,8	676	4214	4087	2044
DFB-80-10-6-3	U	80	10	6,35	74,5	3	122	115	135	155	13,5	20	16	120	137,5	59,6	203,2	954	3056	2601	1301
DFB-80-10-6-4	U	80	10	6,35	74,5	4	142	115	135	155	13,5	20	16	120	137,5	76,7	274,7	954	4027	3433	1717
DFB-80-10-7-3	S	80	10	7,144	74,73	3	146	105	125	145	13,5	20	16	110	127,5	73,3	218,9	962	3040	2427	1214
DFB-80-10-7-4	S	80	10	7,144	74,6	4	168	105	125	145	13,5	20	16	110	127,5	94,3	295,4	962	4005	3204	1602
DFB-80-10-7-5	S	80	10	7,144	74,6	5	189	105	125	145	13,5	20	16	110	127,5	114,7	373,4	962	4960	3976	1988
DFB-80-10-7-6	S	80	10	7,144	74,6	6	210	105	125	145	13,5	20	16	110	127,5	134,7	453,1	962	5910	4744	2372
DFB-80-12-8-3	U	80	12	7,938	73,3	3	154	125	145	165	13,5	25	25	130	147,5	87,6	254,5	934	3222	2842	1421
DFB-80-12-8-4	S	80	12	7,938	74,1	4	203	105	125	145	13,5	25	25	110	127,5	109,1	325,9	954	4074	3332	1666
DFB-80-12-8-4	U	80	12	7,938	73,3	4	178	125	145	165	13,5	25	25	130	147,5	115,2	354,4	934	4370	3847	1924
DFB-80-12-8-5	S	80	12	7,938	74,1	5	228	105	125	145	13,5	25	25	110	127,5	132,8	411,8	954	5048	4135	2068
DFB-80-12-8-5	U	80	12	7,938	73,3	5	202	125	145	165	13,5	25	25	130	147,5	140,1	447,6	934	5413	4770	2385
DFB-80-12-8-6	S	80	12	7,938	74,1	6	253	105	125	145	13,5	25	25	110	127,5	156	499,3	954	6015	4934	2467
DFB-80-12-8-6	U	80	12	7,938	73,3	6	226	125	145	165	13,5	25	25	130	147,5	164,5	542,6	934	6449	5688	2844
DFB-80-16-8-3	U	80	16	7,938	73,3	3	173	125	145	165	13,5	25	25	130	147,5	87,5	254,2	934	3216	2924	1462
DFB-80-16-8-4	S	80	16	7,938	74,1	4	239	105	125	145	13,5	25	25	110	127,5	106,5	314,4	954	3943	3395	1698
DFB-80-16-8-4	U	80	16	7,938	73,3	4	205	125	145	165	13,5	25	25	130	147,5	115,1	354,1	934	4363	3960	1980
DFB-80-16-8-5	S	80	16	7,938	74,1	5	272	105	125	145	13,5	25	25	110	127,5	129,6	397,3	954	4885	4211	2106
DFB-80-16-8-5	U	80	16	7,938	73,3	5	237	125	145	165	13,5	25	25	130	147,5	140	447,3	934	5404	4909	2455
DFB-80-16-8-6	S	80	16	7,938	74,1	6	305	105	125	145	13,5	25	25	110	127,5	152,2	481,7	954	5820	5021	2511
DFB-80-16-8-6	U	80	16	7,938	73,3	6	269	125	145	165	13,5	25	25	130	147,5	164,3	542,1	934	6437	5851	2926
DFB-80-16-9-3	B	80	16	9,525	72,2	3	179	125	145	165	13,5	25	25	130	147,5	115	311,7	916	3429	3057	1529
DFB-80-16-9-4	B	80	16	9,525	72,2	4	211	125	145	165	13,5	25	25	130	147,5	147,9	419,7	916	4517	4032	2016
DFB-80-16-9-5	B	80	16	9,525	72,2	5	247	120	140	160	13,5	25	25	125	142,5	179,9	529,7	916	5595	4998	2499
DFB-80-16-9-6	B	80	16	9,525	72,2	6	279	120	140	160	13,5	25	25	125	142,5	211,2	641,5	916	6665	5959	2980
DFB-80-16-9-7	B	80	16	9,525	72,2	7	311	120	140	160	13,5	25	25	125	142,5	242	755,2	916	7729	6914	3457
DFB-80-16-9-8	B	80	16	9,525	72,2	8	343	120	140	160	13,5	25	25	125	142,5	271,4	863,1	916	8778	7858	3929
DFB-80-16-9-9	B	80	16	9,525	72,2	9	391	120	140	160	13,5	25	25	125	142,5	300,4	970,9	916	9822	8798	4399
DFB-80-16-9-10	B	80	16	9,525	72,2	10	423	120	140	160	13,5	25	25	125	142,5	328,9	1078,8	916	10860	9732	4866
DFB-80-16-12-2	B	80	16	12,7	71	2	144	130	150	170	13,5	30	25	135	152,5	121,4	280,6	903	2470	2201	1101
DFB-80-16-12-3	B	80	16	12,7	71	3	176	130	150	170	13,5	30	25	135	152,5	172,7	424,1	903	3640	3249	1625
DFB-80-16-12-4	B	80	16	12,7	71	4	208	130	150	170	13,5	30	25	135	152,5	221,9	569,8	903	4794	4285	2143
DFB-80-16-12-5	B	80	16	12,7	71	5	240	130	150	170	13,5	30	25	135	152,5	269,8	717,4	903	5937	5311	2656

PABS

IPIRANGA PABS DOUBLE NUT

Reference	Recirculation	Nominal diameter	Lead	Ball diameter	Root diameter	Circuits	Dimensions					Dimensions					Loads and rigidity						
							Ln	D1	D4	D6	D5	L7	L1	L8	L9	Cam	Coam	Rsm	Rbt	Rnu	Rnu.ar		
DOUBLE NUT Ref	S/U/B Tipo	do mm	Ph mm	Dw mm	d3 mm	i units	mm	mm	mm	mm	mm	mm	mm	mm	mm	KN	KN	N/μm	N/μm	N/μm	N/μm		
DFB-80-16-12-6	B	80	16	12,7	71	6	288	130	150			13,5	30	25	135	152,5	316,6	867,1	903	7071	6331	3166	
DFB-80-16-12-7	B	80	16	12,7	71	7	320	130	150			170	13,5	30	25	135	152,5	362,6	1018,7	903	8199	7345	3673
DFB-80-16-12-8	B	80	16	12,7	71	8	352	130	150			170	13,5	30	25	135	152,5	406,7	1164,3	903	9312	8348	4174
DFB-80-16-12-9	B	80	16	12,7	71	9	384	130	150			170	13,5	30	25	135	152,5	450,1	1309,8	903	10419	9345	4673
DFB-80-16-12-10	B	80	16	12,7	71	10	416	130	150			170	13,5	30	25	135	152,5	492,8	1455,3	903	11520	10338	5169
DFB-80-20-8-3	U	80	20	7,938	73,3	3	203	125	145			170	13,5	25	25	130	147,5	87,4	254	934	3209	2972	1486
DFB-80-20-8-4	U	80	20	7,938	73,3	4	243	125	145			165	13,5	25	25	130	147,5	114,9	353,7	934	4352	4025	2013
DFB-80-20-8-5	U	80	20	7,938	73,3	5	283	125	145			165	13,5	25	25	130	147,5	139,8	446,8	934	5392	4990	2495
DFB-80-20-8-6	U	80	20	7,938	73,3	6	323	125	145			165	13,5	25	25	130	147,5	164,1	541,6	934	6422	5947	2974
DFB-80-20-9-3	U	80	20	9,525	72,2	3	198	125	145			165	13,5	25	25	130	147,5	114,8	311,4	916	3421	3143	1572
DFB-80-20-9-4	S	80	20	9,525	72,9	4	292	125	145			165	13,5	25	25	130	147,5	130,7	347,9	933	3813	3546	1773
DFB-80-20-9-4	U	80	20	9,525	72,2	4	238	125	145			165	13,5	25	25	130	147,5	147,7	419,3	916	4507	4144	2072
DFB-80-20-9-5	S	80	20	9,525	72,9	5	334	125	145			165	13,5	25	25	130	147,5	159	439	933	4723	4395	2198
DFB-80-20-9-5	U	80	20	9,525	72,2	5	278	125	145			165	13,5	25	25	130	147,5	179,6	529,1	916	5582	5137	2569
DFB-80-20-9-6	S	80	20	9,525	72,9	6	375	125	145			165	13,5	25	25	130	147,5	186,7	531,7	933	5627	5239	2620
DFB-80-20-9-6	U	80	20	9,525	72,2	6	318	125	145			165	13,5	25	25	130	147,5	210,9	640,8	916	6650	6123	3062
DFB-80-20-9-7	U	80	20	9,525	72,2	7	358	125	145			165	13,5	25	25	130	147,5	241,6	754,4	916	7711	7103	3552
DFB-80-20-9-7	B	80	20	9,525	72,2	7	375	120	140			165	13,5	25	25	125	142,5	241,6	754,4	916	7711	7048	3524
DFB-80-20-9-8	B	80	20	9,525	72,2	8	415	120	140			160	13,5	25	25	125	142,5	271,1	862,1	916	8759	8010	4005
DFB-80-20-9-9	B	80	20	9,525	72,2	9	475	120	140			160	13,5	25	25	125	142,5	299,9	969,9	916	9799	8966	4483
DFB-80-20-9-10	B	80	20	9,525	72,2	10	515	120	140			160	13,5	25	25	125	142,5	328,4	1077,7	916	10835	9918	4959
DFB-80-20-12-3	U	80	20	12,7	71	3	220	135	155			160	13,5	25	25	140	157,5	172,4	423,7	903	3632	3335	1668
DFB-80-20-12-4	U	80	20	12,7	71	4	260	135	155			175	13,5	25	25	140	157,5	221,6	569,2	903	4783	4397	2199
DFB-80-20-12-5	U	80	20	12,7	71	5	300	135	155			175	13,5	25	25	140	157,5	269,4	716,7	903	5924	5450	2725
DFB-80-20-12-6	U	80	20	12,7	71	6	340	135	155			175	13,5	25	25	140	157,5	316,2	866,2	903	7056	6495	3248
DFB-80-20-12-7	U	80	20	12,7	71	7	380	135	155			175	13,5	25	25	140	157,5	362,1	1017,7	903	8181	7534	3767
DFB-80-20-12-8	U	80	20	12,7	71	8	420	135	155			175	13,5	25	25	140	157,5	406,2	1163,1	903	9292	8561	4281
DFB-80-20-12-8	B	80	20	12,7	71	8	424	130	150			175	13,5	30	25	135	152,5	406,2	1163,1	903	9292	8508	4254
DFB-80-20-12-9	U	80	20	12,7	71	9	460	135	155			170	13,5	25	25	140	157,5	449,5	1308,4	903	10396	9582	4791
DFB-80-20-12-9	B	80	20	12,7	71	9	464	130	150			175	13,5	30	25	135	152,5	449,5	1308,4	903	10396	9523	4762
DFB-80-20-12-10	U	80	20	12,7	71	10	500	135	155			170	13,5	25	25	140	157,5	492,1	1453,8	903	11495	10599	5300
DFB-80-20-12-10	B	80	20	12,7	71	10	504	130	150			175	13,5	30	25	135	152,5	492,1	1453,8	903	11495	10534	5267
DFB-80-20-15-2	B	80	20	15,875	67	2	175	140	166			170	17,5	30	25	145	168,5	165,6	411,9	826	2600	2380	1190
DFB-80-20-15-3	B	80	20	15,875	67	3	215	140	166			192	17,5	30	25	145	168,5	235,8	622,5	826	3832	3513	1757
DFB-80-20-15-4	B	80	20	15,875	67	4	255	140	166			192	17,5	30	25	145	168,5	303,3	836	826	5049	4633	2317
DFB-80-20-15-5	B	80	20	15,875	67	5	295	140	166			192	17,5	30	25	145	168,5	369	1052,5	826	6254	5743	2872
DFB-80-20-15-6	B	80	20	15,875	67	6	335	140	166			192	17,5	30	25	145	168,5	433,4	1271,7	826	7452	6847	3424
DFB-80-20-15-7	B	80	20	15,875	67	7	395	140	166			192	17,5	30	25	145	168,5	496,8	1493,8	826	8643	7945	3973
DFB-80-20-15-8	B	80	20	15,875	67	8	435	140	166			192	17,5	30	25	145	168,5	557,2	1707,2	826	9815	9027	4514
DFB-80-20-15-9	B	80	20	15,875	67	9	475	140	166			192	17,5	30	25	145	168,5	616,6	1920,6	826	10982	10105	5053
DFB-80-20-15-10	B	80	20	15,875	67	10	515	140	166			192	17,5	30	25	145	168,5	675,1	2134	826	12142	11176	5588
DFB-80-30-8-3	U	80	30	7,938	73,3	3	251	125	145			192	13,5	25	25	130	147,5	87	253	934	3184	3025	1513

IPIRANGA
PABS
DOUBLE NUT

Reference	Recirculation	Nominal diameter	Lead	Ball diameter	Root diameter	Circuits	Dimensions					Dimensions					Loads and rigidity				
							Ln	D1	D4	D6	D5	L7	L1	L8	L9	Cam	Coam	Rsm	Rbt	Rnu	Rnu.ar
DOUBLE NUT Ref	S/U/B Tipo	do mm	Ph mm	Dw mm	d3 mm	i units	mm	mm	mm	mm	mm	mm	mm	mm	mm	KN	KN	N/μm	N/μm	N/μm	N/μm
DFB-80-30-8-4	U	80	30	7,938	73,3	4	311	125	145	165	13,5	25	25	130	147,5	114,3	352,4	934	4318	4098	2049
DFB-80-30-8-5	U	80	30	7,938	73,3	5	371	125	145	165	13,5	25	25	130	147,5	139,1	445,1	934	5349	5079	2540
DFB-80-30-8-6	U	80	30	7,938	73,3	6	431	125	145	165	13,5	25	25	130	147,5	163,3	539,5	934	6372	6052	3026
DFB-80-30-9-2	B	80	30	9,525	72,2	2	198	125	145	165	13,5	25	25	130	147,5	80,2	204,7	916	2302	2161	1081
DFB-80-30-9-3	U	80	30	9,525	72,2	3	258	125	145	165	13,5	25	25	130	147,5	114,2	310,2	916	3394	3206	1603
DFB-80-30-9-3	B	80	30	9,525	72,2	3	258	125	145	165	13,5	25	25	130	147,5	114,2	310,2	916	3394	3189	1595
DFB-80-30-9-4	U	80	30	9,525	72,2	4	318	125	145	165	13,5	25	25	130	147,5	146,9	417,7	916	4471	4227	2114
DFB-80-30-9-4	B	80	30	9,525	72,2	4	318	125	145	165	13,5	25	25	130	147,5	146,9	417,7	916	4471	4204	2102
DFB-80-30-9-5	U	80	30	9,525	72,2	5	378	125	145	165	13,5	25	25	130	147,5	178,8	527,2	916	5539	5239	2620
DFB-80-30-9-5	B	80	30	9,525	72,2	5	400	120	140	165	13,5	25	25	125	142,5	178,8	527,2	916	5539	5211	2606
DFB-80-30-9-6	U	80	30	9,525	72,2	6	438	125	145	160	13,5	25	25	130	147,5	209,9	638,4	916	6598	6243	3122
DFB-80-30-9-6	B	80	30	9,525	72,2	6	460	120	140	165	13,5	25	25	125	142,5	209,9	638,4	916	6598	6210	3105
DFB-80-30-12-3	U	80	30	12,7	71	3	268	135	155	160	13,5	25	25	140	157,5	171,6	422,2	903	3605	3405	1703
DFB-80-30-12-4	U	80	30	12,7	71	4	328	135	155	175	13,5	25	25	140	157,5	220,6	567,1	903	4748	4487	2244
DFB-80-30-12-5	U	80	30	12,7	71	5	388	135	155	175	13,5	25	25	140	157,5	268,2	714,1	903	5880	5560	2780
DFB-80-30-12-6	U	80	30	12,7	71	6	448	135	155	175	13,5	25	25	140	157,5	314,7	863,1	903	7003	6624	3312
DFB-80-30-15-3	B	80	30	15,875	67	3	270	140	166	175	17,5	30	25	145	168,5	234,7	620,3	826	3803	3588	1794
DFB-80-30-15-4	B	80	30	15,875	67	4	330	140	166	192	17,5	30	25	145	168,5	301,9	833	826	5011	4730	2365
DFB-80-30-15-5	B	80	30	15,875	67	5	390	140	166	192	17,5	30	25	145	168,5	367,3	1048,6	826	6207	5862	2931
DFB-80-30-15-6	B	80	30	15,875	67	6	450	140	166	192	17,5	30	25	145	168,5	431,3	1267,1	826	7395	6987	3494
DFB-80-30-19-3	B	80	30	19,05	64,1	3	282	150	176	192	17,5	30	40	155	178,5	287,8	711,3	774	3758	3560	1780
DFB-80-30-19-4	B	80	30	19,05	64,1	4	342	150	176	202	17,5	30	40	155	178,5	370,1	954,3	774	4951	4693	2347
DFB-80-30-19-5	B	80	30	19,05	64,1	5	402	150	176	202	17,5	30	40	155	178,5	450,2	1200,2	774	6132	5816	2908
DFB-80-30-19-6	B	80	30	19,05	64,1	6	462	150	176	202	17,5	30	40	155	178,5	555,5	1560,4	774	7804	7378	3689
DFB-80-40-8-3	U	80	40	7,938	73,3	3	304	125	145	202	13,5	25	25	130	147,5	86,4	251,7	934	3149	3031	1516
DFB-80-40-8-4	U	80	40	7,938	73,3	4	384	125	145	165	13,5	25	25	130	147,5	113,6	350,5	934	4271	4108	2054
DFB-80-40-8-5	U	80	40	7,938	73,3	5	464	125	145	165	13,5	25	25	130	147,5	138,1	442,8	934	5290	5089	2545
DFB-80-40-9-2	B	80	40	9,525	72,2	2	228	125	145	165	13,5	25	25	130	147,5	79,7	203,7	916	2278	2173	1087
DFB-80-40-9-3	U	80	40	9,525	72,2	3	308	125	145	165	13,5	25	25	130	147,5	113,5	308,6	916	3358	3218	1609
DFB-80-40-9-3	B	80	40	9,525	72,2	3	308	125	145	165	13,5	25	25	130	147,5	113,5	308,6	916	3358	3218	1609
DFB-80-40-9-4	U	80	40	9,525	72,2	4	388	125	145	165	13,5	25	25	130	147,5	146	415,6	916	4423	4241	2121
DFB-80-40-9-4	B	80	40	9,525	72,2	4	388	125	145	165	13,5	25	25	130	147,5	146	415,6	916	4423	4224	2112
DFB-80-40-9-5	U	80	40	9,525	72,2	5	468	125	145	165	13,5	25	25	130	147,5	177,6	524,4	916	5479	5256	2628
DFB-80-40-9-5	B	80	40	9,525	72,2	5	515	120	140	165	13,5	25	25	125	142,5	177,6	524,4	916	5479	5235	2618
DFB-80-40-9-6	B	80	40	9,525	72,2	6	595	120	140	160	13,5	25	25	125	142,5	208,5	635,1	916	6527	6238	3119
DFB-80-40-12-2	B	80	40	12,7	71	2	254	135	155	160	13,5	25	25	140	157,5	119,9	277,9	903	2421	2310	1155
DFB-80-40-12-3	U	80	40	12,7	71	3	334	135	155	175	13,5	25	25	140	157,5	170,5	420,1	903	3567	3418	1709
DFB-80-40-12-3	B	80	40	12,7	71	3	334	135	155	175	13,5	25	25	140	157,5	170,5	420,1	903	3567	3407	1704
DFB-80-40-12-4	U	80	40	12,7	71	4	414	135	155	175	13,5	25	25	140	157,5	219,2	564,4	903	4699	4505	2253
DFB-80-40-12-4	B	80	40	12,7	71	4	414	135	155	175	13,5	25	25	140	157,5	219,2	564,4	903	4699	4490	2245
DFB-80-40-12-5	U	80	40	12,7	71	5	494	135	155	175	13,5	25	25	140	157,5	266,5	710,6	903	5820	5582	2791
DFB-80-40-12-5	B	80	40	12,7	71	5	494	135	155	175	13,5	25	25	140	157,5	266,5	710,6	903	5820	5563	2782

PABS

IPIRANGA PABS DOUBLE NUT

Reference	Recirculation	Nominal diameter	Lead	Ball diameter	Root diameter	Circuits	Dimensions					Dimensions					Loads and rigidity				
							Ln	D1	D4	D6	D5	L7	L1	L8	L9	Cam	Coam	Rsm	Rbt	Rnu	Rnu.ar
DOUBLE NUT Ref	S/U/B Tipo	do mm	Ph mm	Dw mm	d3 mm	i units	mm	mm	mm	mm	mm	mm	mm	mm	mm	KN	KN	N/μm	N/μm	N/μm	N/μm
DFB-80-40-12-6	B	80	40	12,7	71	6	604	130	150	175	13,5	30	25	135	152,5	312,7	858,9	903	6931	6627	3314
DFB-80-40-15-2	B	80	40	15,875	67	2	255	140	166	170	17,5	30	25	145	168,5	163,8	408,4	826	2553	2443	1222
DFB-80-40-15-3	B	80	40	15,875	67	3	335	140	166	192	17,5	30	25	145	168,5	233,1	617,1	826	3763	3603	1802
DFB-80-40-15-4	B	80	40	15,875	67	4	415	140	166	192	17,5	30	25	145	168,5	299,9	828,8	826	4958	4749	2375
DFB-80-40-15-5	B	80	40	15,875	67	5	495	140	166	192	17,5	30	25	145	168,5	364,9	1043,4	826	6142	5885	2943
DFB-80-40-15-6	B	80	40	15,875	67	6	615	140	166	192	17,5	30	25	145	168,5	428,5	1260,8	826	7317	7013	3507
DFB-80-40-19-2	B	80	40	19,05	64,1	2	267	150	176	192	17,5	30	40	155	178,5	200,9	468,9	774	2523	2422	1211
DFB-80-40-19-3	B	80	40	19,05	64,1	3	347	150	176	202	17,5	30	40	155	178,5	285,9	707,8	774	3719	3572	1786
DFB-80-40-19-4	B	80	40	19,05	64,1	4	427	150	176	202	17,5	30	40	155	178,5	367,7	949,6	774	4899	4707	2354
DFB-80-40-19-5	B	80	40	19,05	64,1	5	507	150	176	202	17,5	30	40	155	178,5	447,3	1194,3	774	6069	5834	2917
DFB-80-40-19-6	B	80	40	19,05	64,1	6	627	150	176	202	17,5	30	40	155	178,5	525,3	1441,8	774	7230	6951	3476
DFB-80-50-9-2	B	80	50	9,525	72,2	2	262	125	145	202	13,5	25	25	130	147,5	79	202,3	916	2246	2164	1082
DFB-80-50-9-3	U	80	50	9,525	72,2	3	362	125	145	165	13,5	25	25	130	147,5	112,5	306,6	916	3311	3202	1601
DFB-80-50-9-3	B	80	50	9,525	72,2	3	362	125	145	165	13,5	25	25	130	147,5	112,5	306,6	916	3311	3191	1596
DFB-80-50-9-4	U	80	50	9,525	72,2	4	462	125	145	165	13,5	25	25	130	147,5	144,7	412,8	916	4362	4219	2110
DFB-80-50-9-4	B	80	50	9,525	72,2	4	462	125	145	165	13,5	25	25	130	147,5	144,7	412,8	916	4362	4206	2103
DFB-80-50-9-5	B	80	50	9,525	72,2	5	630	120	140	165	13,5	25	25	125	142,5	176	521	916	5403	5211	2606
DFB-80-50-9-6	B	80	50	9,525	72,2	6	703	120	140	160	13,5	25	25	125	142,5	206,7	631	916	6437	6210	3105
DFB-80-50-12-2	B	80	50	12,7	71	2	274	135	155	160	13,5	25	25	140	157,5	118,9	276,2	903	2389	2302	1151
DFB-80-50-12-3	U	80	50	12,7	71	3	374	135	155	175	13,5	25	25	140	157,5	169,2	417,5	903	3521	3404	1702
DFB-80-50-12-3	B	80	50	12,7	71	3	374	135	155	175	13,5	25	25	140	157,5	169,2	417,5	903	3521	3395	1698
DFB-80-50-12-4	U	80	50	12,7	71	4	474	135	155	175	13,5	25	25	140	157,5	217,4	560,8	903	4637	4485	2243
DFB-80-50-12-4	B	80	50	12,7	71	4	474	135	155	175	13,5	25	25	140	157,5	217,4	560,8	903	4637	4473	2237
DFB-80-50-12-5	B	80	50	12,7	71	5	639	130	150	175	13,5	30	25	135	152,5	264,3	706,2	903	5743	5541	2771
DFB-80-50-12-6	B	80	50	12,7	71	6	712	130	150	175	13,5	30	25	135	152,5	310,2	853,5	903	6841	6602	3301
DFB-80-50-15-2	B	80	50	15,875	67	2	300	140	166	175	17,5	30	25	145	168,5	162,4	405,8	826	2519	2432	1216
DFB-80-50-15-3	B	80	50	15,875	67	3	400	140	166	192	17,5	30	25	145	168,5	231,2	613,2	826	3713	3587	1794
DFB-80-50-15-4	B	80	50	15,875	67	4	500	140	166	192	17,5	30	25	145	168,5	297,4	823,5	826	4892	4728	2364
DFB-80-50-15-5	B	80	50	15,875	67	5	650	140	166	192	17,5	30	25	145	168,5	361,8	1036,7	826	6060	5858	2929
DFB-80-50-15-6	B	80	50	15,875	67	6	723	140	166	192	17,5	30	25	145	168,5	425	1252,8	826	7220	6981	3491
DFB-80-50-19-2	B	80	50	19,05	64,1	2	312	150	176	192	17,5	30	40	155	178,5	199,3	465,9	774	2490	2411	1206
DFB-80-50-19-3	B	80	50	19,05	64,1	3	412	150	176	202	17,5	30	40	155	178,5	283,6	703,3	774	3670	3555	1778
DFB-80-50-19-4	B	80	50	19,05	64,1	4	512	150	176	202	17,5	30	40	155	178,5	364,7	943,6	774	4834	4684	2342
DFB-80-50-19-5	B	80	50	19,05	64,1	5	662	150	176	202	17,5	30	40	155	178,5	443,7	1186,7	774	5988	5803	2902
DFB-80-50-19-6	B	80	50	19,05	64,1	6	725	150	176	202	17,5	30	40	155	178,5	521	1432,6	774	7134	6915	3458
DFB-100-10-6-3	U	100	10	6,35	94,5	3	129	135	155	202	13,5	25	25	140	157,5	64,7	252,7	1521	3621	2924	1462
DFB-100-10-7-3	S	100	10	7,144	94,73	3	146	125	145	275	13,5	22	16	130	147,5	81,4	282,1	1532	3715	2726	1363
DFB-100-10-7-4	S	100	10	7,144	94,73	4	166	125	145	165	13,5	22	16	130	147,5	104,7	380,6	1532	4894	3603	1802
DFB-100-10-7-5	S	100	10	7,144	94,6	5	191	125	145	165	13,5	22	16	130	147,5	127,4	481,1	1532	6063	4474	2237
DFB-100-10-7-6	S	100	10	7,144	94,6	6	212	125	145	165	13,5	22	16	130	147,5	149,6	583,7	1532	7223	5340	2670
DFB-100-12-8-3	U	100	12	7,938	93,3	3	152	150	176	165	17,5	30	25	155	178,5	96,7	324,4	1497	3901	3336	1668
DFB-100-12-8-4	U	100	12	7,938	93,3	4	176	150	176	202	17,5	30	25	155	178,5	124,4	437,2	1497	5139	4402	2201

PABS

IPIRANGA PABS DOUBLE NUT

Reference	Recirculation	Nominal diameter	Lead	Ball diameter	Root diameter	Circuits	Dimensions					Dimensions					Loads and rigidity				
							Ln	D1	D4	D6	D5	L7	L1	L8	L9	Cam KN	Coam KN	Rsm N/μm	Rbt N/μm	Rnu N/μm	Rnu.ar N/μm
DOUBLE NUT Ref	S/U/B Tipo	do mm	Ph mm	Dw mm	d3 mm	i units	Ln mm	D1 mm	D4 mm	D6 mm	D5 mm	L7 mm	L1 mm	L8 mm	L9 mm	Cam KN	Coam KN	Rsm N/μm	Rbt N/μm	Rnu N/μm	Rnu.ar N/μm
DFB-100-16-8-3	U	100	16	7,938	93,3	3	172	150	176	202	175	30	25	155	178,5	96,7	324,2	1497	3897	3458	1729
DFB-100-16-8-4	U	100	16	7,938	93,3	4	204	150	176		175	30	25	155	178,5	124,3	437	1497	5133	4561	2281
DFB-100-16-9-3	U	100	16	9,525	92,2	3	178	150	176	202	175	30	25	155	178,5	125	386,8	1473	4054	3566	1783
DFB-100-16-9-3	B	100	16	9,525	92,2	3	178	150	176	202	175	30	25	155	178,5	125	386,8	1473	4054	3481	1741
DFB-100-16-9-4	U	100	16	9,525	92,2	4	210	150	176	202	175	30	25	155	178,5	160,7	520,8	1473	5340	4704	2352
DFB-100-16-9-4	B	100	16	9,525	92,2	4	215	140	166	192	175	30	25	145	168,5	160,7	520,8	1473	5340	4592	2296
DFB-100-16-9-5	U	100	16	9,525	92,2	5	242	150	176	202	175	30	25	155	178,5	199,5	677,7	1473	6798	5975	2988
DFB-100-16-9-5	B	100	16	9,525	92,2	5	247	140	166	192	175	30	25	145	168,5	195,4	657,1	1473	6614	5695	2848
DFB-100-16-9-6	B	100	16	9,525	92,2	6	279	140	166	192	175	30	25	145	168,5	229,4	795,8	1473	7878	6791	3396
DFB-100-16-9-7	B	100	16	9,525	92,2	7	327	140	166	192	175	30	25	145	168,5	262,8	936,6	1473	9136	7881	3941
DFB-100-16-9-8	B	100	16	9,525	92,2	8	359	140	166	192	175	30	25	145	168,5	294,7	1070,5	1473	10375	8958	4479
DFB-100-16-9-9	B	100	16	9,525	92,2	9	391	140	166	192	175	30	25	145	168,5	332,9	1241,9	1473	11930	10270	5135
DFB-100-16-9-10	B	100	16	9,525	92,2	10	439	140	166	192	175	30	25	145	168,5	357,1	1338,1	1473	12835	11098	5549
DFB-100-16-12-2	B	100	16	12,7	91	2	144	155	181	207	175	30	25	160	183,5	130,7	340,2	1458	2862	2494	1247
DFB-100-16-12-3	B	100	16	12,7	91	3	176	155	181	207	175	30	25	160	183,5	191	535,7	1458	4374	3802	1901
DFB-100-16-12-4	B	100	16	12,7	91	4	208	155	181	207	175	30	25	160	183,5	245,4	719,5	1458	5760	5015	2508
DFB-100-16-12-5	B	100	16	12,7	91	5	256	155	181	207	175	30	25	160	183,5	298,2	905,9	1458	7132	6217	3109
DFB-100-16-12-6	B	100	16	12,7	91	6	288	155	181	207	175	30	25	160	183,5	349,9	1094,7	1458	8495	7413	3707
DFB-100-16-12-7	B	100	16	12,7	91	7	320	155	181	207	175	30	25	160	183,5	400,6	1286	1458	9848	8600	4300
DFB-100-16-12-8	B	100	16	12,7	91	8	352	155	181	207	175	30	25	160	183,5	449,3	1469,7	1458	11185	9775	4888
DFB-100-16-12-9	B	100	16	12,7	91	9	400	155	181	207	175	30	25	160	183,5	497,2	1653,5	1458	12514	10944	5472
DFB-100-16-12-10	B	100	16	12,7	91	10	432	155	181	207	175	30	25	160	183,5	544,4	1837,2	1458	13836	12108	6054
DFB-100-20-8-3	U	100	20	7,938	93,3	3	203	150	176	202	175	30	25	155	178,5	96,6	324	1497	3891	3533	1767
DFB-100-20-8-4	U	100	20	7,938	93,3	4	243	150	176	202	175	30	25	155	178,5	124,2	436,7	1497	5126	4659	2330
DFB-100-20-9-3	U	100	20	9,525	92,2	3	200	150	176	202	175	30	25	155	178,5	124,9	386,6	1473	4048	3649	1825
DFB-100-20-9-3	B	100	20	9,525	92,2	3	200	150	176	202	175	30	25	155	178,5	124,9	386,6	1473	4048	3577	1789
DFB-100-20-9-4	S	100	20	9,525	92,9	4	299	150	176	202	175	30	25	155	178,5	148,8	462,5	1495	4795	4365	2183
DFB-100-20-9-4	U	100	20	9,525	92,2	4	240	150	176	202	175	30	25	155	178,5	160,6	520,4	1473	5333	4813	2407
DFB-100-20-9-4	B	100	20	9,525	92,2	4	255	140	166	192	175	30	25	145	168,5	160,6	520,4	1473	5333	4719	2360
DFB-100-20-9-5	S	100	20	9,525	92,9	5	341	150	176	202	175	30	25	155	178,5	181,1	583,6	1495	5941	5412	2706
DFB-100-20-9-5	U	100	20	9,525	92,2	5	280	150	176	202	175	30	25	155	178,5	199,3	677,2	1473	6787	6114	3057
DFB-100-20-9-5	B	100	20	9,525	92,2	5	295	140	166	192	175	30	25	145	168,5	195,3	656,7	1473	6605	5851	2926
DFB-100-20-9-6	S	100	20	9,525	92,9	6	382	150	176	202	175	30	25	155	178,5	212,6	706,7	1495	7077	6451	3226
DFB-100-20-9-6	B	100	20	9,525	92,2	6	335	140	166	192	175	30	25	145	168,5	229,2	795,2	1473	7867	6975	3488
DFB-100-20-9-7	B	100	20	9,525	92,2	7	395	140	166	192	175	30	25	145	168,5	262,5	936	1473	9122	8093	4047
DFB-100-20-9-8	B	100	20	9,525	92,2	8	435	140	166	192	175	30	25	145	168,5	294,5	1069,7	1473	10361	9199	4600
DFB-100-20-9-9	B	100	20	9,525	92,2	9	475	140	166	192	175	30	25	145	168,5	332,6	1241	1473	11913	10550	5275
DFB-100-20-9-10	B	100	20	9,525	92,2	10	535	140	166	192	175	30	25	145	168,5	356,8	1337,1	1473	12816	11391	5696
DFB-100-20-12-3	U	100	20	12,7	91	3	221	150	176	202	175	30	25	155	178,5	185,7	513,9	1458	4212	3741	1871
DFB-100-20-12-4	U	100	20	12,7	91	4	261	150	176	202	175	30	25	155	178,5	245,2	719	1458	5752	5095	2548
DFB-100-20-12-5	U	100	20	12,7	91	5	301	150	176	202	175	30	25	155	178,5	298	905,3	1458	7122	6315	3158
DFB-100-20-12-6	U	100	20	12,7	91	6	341	150	176	202	175	30	25	155	178,5	349,6	1094	1458	8483	7529	3765

IPIRANGA PABS DOUBLE NUT

Reference	Recirculation	Nominal diameter	Lead	Ball diameter	Root diameter	Circuits	Dimensions					Dimensions					Loads and rigidity					
							Ln	D1	D4	D6	D5	L7	L1	L8	L9	Cam	Coam	Rsm	Rbt	Rnu	Rnu.ar	
DOUBLE NUT Ref	S/U/B Tipo	do mm	Ph mm	Dw mm	d3 mm	i units	mm	mm	mm	mm	mm	mm	mm	mm	mm	KN	KN	N/μm	N/μm	N/μm	N/μm	
DFB-100-20-12-7	U	100	20	12,7	91	7	381	150	176		202	175	30	25	155	178,5	400,2	1285,2	1458	9834	8734	4367
DFB-100-20-12-7	B	100	20	12,7	91	7	384	155	181		207	175	30	25	160	183,5	400,2	1285,2	1458	9834	8812	4406
DFB-100-20-12-8	B	100	20	12,7	91	8	424	155	181		207	175	30	25	160	183,5	448,9	1468,7	1458	11169	10015	5008
DFB-100-20-12-9	B	100	20	12,7	91	9	484	155	181		207	175	30	25	160	183,5	496,8	1652,3	1458	12496	11211	5606
DFB-100-20-12-10	B	100	20	12,7	91	10	524	155	181		207	175	30	25	160	183,5	543,9	1835,9	1458	13817	12403	6202
DFB-100-20-15-2	B	100	20	15,875	87	2	182	160	186		212	175	30	40	165	188,5	180	496,2	1359	3004	2702	1351
DFB-100-20-15-3	S	100	20	15,875	88,3	3	265	160	186		212	175	30	25	165	188,5	224	527,8	1396	3767	3418	1709
DFB-100-20-15-3	B	100	20	15,875	87	3	222	160	186		212	175	30	40	165	188,5	256,1	749,7	1359	4427	3988	1994
DFB-100-20-15-4	S	100	20	15,875	88,3	4	308	160	186		212	175	30	25	165	188,5	288	708,5	1396	4962	4507	2254
DFB-100-20-15-4	B	100	20	15,875	87	4	262	160	186		212	175	30	40	165	188,5	340,7	1059,6	1359	6103	5480	2740
DFB-100-20-15-5	S	100	20	15,875	88,3	5	350	160	186		212	175	30	25	165	188,5	350,2	891,5	1396	6145	5586	2793
DFB-100-20-15-5	B	100	20	15,875	87	5	302	160	186		212	175	30	40	165	188,5	414,4	1333,8	1359	7559	6793	3397
DFB-100-20-15-6	S	100	20	15,875	88,3	6	392	160	186		212	175	30	25	165	188,5	411,1	1076,7	1396	7321	6660	3330
DFB-100-20-15-6	B	100	20	15,875	87	6	355	165	191		217	175	30	40	170	193,5	486,4	1611,4	1359	9004	8098	4049
DFB-100-20-15-7	B	100	20	15,875	87	7	395	165	191		217	175	30	40	170	193,5	557,3	1892,5	1359	10442	9397	4699
DFB-100-20-15-8	B	100	20	15,875	87	8	435	165	191		217	175	30	40	170	193,5	625,1	2162,9	1359	11859	10678	5339
DFB-100-20-15-9	B	100	20	15,875	87	9	475	165	191		217	175	30	40	170	193,5	691,8	2433,2	1359	13269	11954	5977
DFB-100-20-15-10	B	100	20	15,875	87	10	515	165	191		217	175	30	40	170	193,5	757,4	2703,6	1359	14671	13224	6612
DFB-100-30-9-3	U	100	30	9,525	92,2	3	256	150	176		202	175	30	25	155	178,5	124,5	385,6	1473	4028	3756	1878
DFB-100-30-9-3	B	100	30	9,525	92,2	3	256	150	176		202	175	30	25	155	178,5	124,5	385,6	1473	4028	3705	1853
DFB-100-30-9-4	U	100	30	9,525	92,2	4	316	150	176		202	175	30	25	155	178,5	160,1	519,2	1473	5306	4951	2476
DFB-100-30-9-4	B	100	30	9,525	92,2	4	340	140	166		192	175	30	25	145	168,5	160,1	519,2	1473	5306	4885	2443
DFB-100-30-9-5	U	100	30	9,525	92,2	5	376	150	176		202	175	30	25	155	178,5	198,7	675,6	1473	6753	6294	3147
DFB-100-30-9-5	B	100	30	9,525	92,2	5	400	140	166		192	175	30	25	145	168,5	194,6	655,1	1473	6570	6053	3027
DFB-100-30-9-6	B	100	30	9,525	92,2	6	460	140	166		192	175	30	25	145	168,5	228,5	793,3	1473	7827	7215	3608
DFB-100-30-12-3	U	100	30	12,7	91	3	272	150	176		202	175	30	25	155	178,5	185,2	512,7	1458	4192	3869	1935
DFB-100-30-12-4	U	100	30	12,7	91	4	332	150	176		202	175	30	25	155	178,5	244,5	717,4	1458	5724	5273	2637
DFB-100-30-12-5	U	100	30	12,7	91	5	392	150	176		202	175	30	25	155	178,5	297,1	903,2	1458	7088	6534	3267
DFB-100-30-12-6	U	100	30	12,7	91	6	452	150	176		202	175	30	25	155	178,5	348,5	1091,5	1458	8441	7786	3893
DFB-100-30-15-3	U	100	30	15,875	87	3	302	160	186		212	175	30	40	165	188,5	255,3	747,9	1359	4405	4087	2044
DFB-100-30-15-4	U	100	30	15,875	87	4	362	160	186		212	175	30	40	165	188,5	339,7	1057,1	1359	6073	5621	2811
DFB-100-30-15-5	U	100	30	15,875	87	5	422	160	186		212	175	30	40	165	188,5	413,1	1330,6	1359	7522	6967	3484
DFB-100-30-15-6	U	100	30	15,875	87	6	482	160	186		212	175	30	40	165	188,5	484,9	1607,6	1359	8960	8303	4152
DFB-100-30-19-3	B	100	30	19,05	84,1	3	282	175	201		227	175	30	40	180	203,5	324	891,7	1292	4509	4214	2107
DFB-100-30-19-4	B	100	30	19,05	84,1	4	342	175	201		227	175	30	40	180	203,5	433,7	1270,9	1292	6268	5841	2921
DFB-100-30-19-5	B	100	30	19,05	84,1	5	402	175	201		227	175	30	40	180	203,5	527,3	1598,1	1292	7763	7239	3620
DFB-100-30-19-6	B	100	30	19,05	84,1	6	462	175	201		227	175	30	40	180	203,5	618,9	1929	1292	9247	8627	4314
DFB-100-40-9-3	U	100	40	9,525	92,2	3	327	150	176		202	175	30	25	155	178,5	123,9	384,3	1473	3999	3794	1897
DFB-100-40-9-4	U	100	40	9,525	92,2	4	407	150	176		202	175	30	25	155	178,5	159,4	517,4	1473	5268	5001	2501
DFB-100-40-9-5	U	100	40	9,525	92,2	5	487	150	176		202	175	30	25	155	178,5	197,8	673,3	1473	6705	6360	3180
DFB-100-40-12-2	B	100	40	12,7	91	2	256	150	176		202	175	30	25	155	178,5	129,7	338,1	1458	2826	2671	1336
DFB-100-40-12-3	U	100	40	12,7	91	3	336	150	176		202	175	30	25	155	178,5	184,4	511	1458	4163	3920	1960

IPIRANGA
PABS
DOUBLE NUT

Reference	Recirculation	Nominal diameter	Lead	Ball diameter	Root diameter	Circuits	Dimensions					Dimensions					Loads and rigidity					
							Ln	D1	D4	D6	D5	L7	L1	L8	L9	Cam	Coam	Rsm	Rbt	Rnu	Rnu.ar	
DOUBLE NUT Ref	S/U/B Tipo	do mm	Ph mm	Dw mm	d3 mm	i units	mm	mm	mm	mm	mm	mm	mm	mm	mm	KN	KN	N/μm	N/μm	N/μm	N/μm	
DFB-100-40-12-3	B	100	40	12,7	91	3	336	150	176		202	175	30	25	155	178,5	189,5	532,3	1458	4317	4075	2038
DFB-100-40-12-4	U	100	40	12,7	91	4	416	150	176		202	175	30	25	155	178,5	243,4	715	1458	5685	5345	2673
DFB-100-40-12-4	B	100	40	12,7	91	4	416	150	176		202	175	30	25	155	178,5	243,4	715	1458	5685	5370	2685
DFB-100-40-12-5	U	100	40	12,7	91	5	496	150	176		202	175	30	25	155	178,5	295,8	900,3	1458	7039	6621	3311
DFB-100-40-12-5	B	100	40	12,7	91	5	524	155	181		207	175	30	25	160	183,5	295,8	900,3	1458	7039	6653	3327
DFB-100-40-12-6	B	100	40	12,7	91	6	604	155	181		207	175	30	25	160	183,5	347,1	1087,9	1458	8384	7927	3964
DFB-100-40-15-2	B	100	40	15,875	87	2	260	160	186		212	175	30	40	165	188,5	178,7	493,4	1359	2968	2813	1407
DFB-100-40-15-3	U	100	40	15,875	87	3	340	160	186		212	175	30	40	165	188,5	254,2	745,4	1359	4374	4135	2068
DFB-100-40-15-3	B	100	40	15,875	87	3	340	160	186		212	175	30	40	165	188,5	254,2	745,4	1359	4374	4149	2075
DFB-100-40-15-4	U	100	40	15,875	87	4	420	160	186		212	175	30	40	165	188,5	388,3	1080	1359	6632	6222	3111
DFB-100-40-15-4	B	100	40	15,875	87	4	420	160	186		212	175	30	40	165	188,5	338,2	1053,7	1359	6031	5710	2855
DFB-100-40-15-5	U	100	40	15,875	87	5	500	160	186		212	175	30	40	165	188,5	411,3	1326,3	1359	7470	7052	3526
DFB-100-40-15-5	B	100	40	15,875	87	5	500	160	186		212	175	30	40	165	188,5	411,3	1326,3	1359	7470	7076	3538
DFB-100-40-15-6	B	100	40	15,875	87	6	615	165	191		217	175	30	40	170	193,5	482,9	1602,3	1359	8899	8433	4217
DFB-100-40-19-2	B	100	40	19,05	84,1	2	267	175	201		227	175	30	40	180	203,5	226,8	588,8	1292	3039	2886	1443
DFB-100-40-19-3	B	100	40	19,05	84,1	3	347	175	201		227	175	30	40	180	203,5	322,7	888,7	1292	4479	4257	2129
DFB-100-40-19-4	B	100	40	19,05	84,1	4	427	175	201		227	175	30	40	180	203,5	431,8	1266,7	1292	6225	5904	2952
DFB-100-40-19-5	B	100	40	19,05	84,1	5	507	175	201		227	175	30	40	180	203,5	525	1592,9	1292	7710	7316	3658
DFB-100-40-19-6	B	100	40	19,05	84,1	6	627	175	201		227	175	30	40	180	203,5	616,3	1922,7	1292	9184	8718	4359
DFB-100-50-9-3	U	100	50	9,525	92,2	3	368	150	176		202	175	30	25	155	178,5	123,2	382,7	1473	3963	3801	1901
DFB-100-50-9-4	U	100	50	9,525	92,2	4	468	150	176		202	175	30	25	155	178,5	158,5	515,2	1473	5221	5009	2505
DFB-100-50-12-2	B	100	50	12,7	91	2	280	150	176		202	175	30	25	155	178,5	129	336,7	1458	2801	2678	1339
DFB-100-50-12-3	U	100	50	12,7	91	3	380	150	176		202	175	30	25	155	178,5	183,4	508,9	1458	4127	3933	1967
DFB-100-50-12-3	B	100	50	12,7	91	3	380	150	176		202	175	30	25	155	178,5	188,5	530,1	1458	4280	4088	2044
DFB-100-50-12-4	U	100	50	12,7	91	4	480	150	176		202	175	30	25	155	178,5	242,1	712,1	1458	5636	5365	2683
DFB-100-50-12-4	B	100	50	12,7	91	4	480	150	176		202	175	30	25	155	178,5	242,1	712,1	1458	5636	5386	2693
DFB-100-50-12-5	B	100	50	12,7	91	5	639	155	181		207	175	30	25	160	183,5	294,3	896,5	1458	6979	6672	3336
DFB-100-50-12-6	B	100	50	12,7	91	6	737	155	181		207	175	30	25	160	183,5	345,2	1083,4	1458	8311	7948	3974
DFB-100-50-15-2	B	100	50	15,875	87	2	290	160	186		212	175	30	40	165	188,5	177,7	491,3	1359	2942	2819	1410
DFB-100-50-15-3	U	100	50	15,875	87	3	390	160	186		212	175	30	40	165	188,5	252,9	742,3	1359	4336	4146	2073
DFB-100-50-15-3	B	100	50	15,875	87	3	390	160	186		212	175	30	40	165	188,5	252,9	742,3	1359	4336	4157	2079
DFB-100-50-15-4	U	100	50	15,875	87	4	490	160	186		212	175	30	40	165	188,5	336,4	1049,3	1359	5978	5707	2854
DFB-100-50-15-4	B	100	50	15,875	87	4	490	160	186		212	175	30	40	165	188,5	336,4	1049,3	1359	5978	5723	2862
DFB-100-50-15-5	B	100	50	15,875	87	5	650	165	191		217	175	30	40	170	193,5	409,1	1320,7	1359	7404	7091	3546
DFB-100-50-15-6	B	100	50	15,875	87	6	748	165	191		217	175	30	40	170	193,5	480,2	1595,6	1359	8820	8450	4225
DFB-100-50-19-2	B	100	50	19,05	84,1	2	312	175	201		227	175	30	40	180	203,5	225,6	586,4	1292	3013	2892	1446
DFB-100-50-19-3	B	100	50	19,05	84,1	3	412	175	201		227	175	30	40	180	203,5	320,9	885	1292	4439	4263	2132
DFB-100-50-19-4	B	100	50	19,05	84,1	4	512	175	201		227	175	30	40	180	203,5	429,5	1261,4	1292	6171	5916	2958
DFB-100-50-19-5	B	100	50	19,05	84,1	5	662	175	201		227	175	30	40	180	203,5	501,5	1492,9	1292	7242	6960	3480
DFB-100-50-19-6	B	100	50	19,05	84,1	6	760	175	201		227	175	30	40	180	203,5	612,9	1914,7	1292	9104	8734	4367
DFB-120-10-7-3	S	120	10	7,144	114,6	3	160	150	176		202	175	30	25	155	178,5	88,3	345,4	2234	4358	3116	1558
DFB-120-10-7-4	S	120	10	7,144	114,6	4	180	150	176		202	175	30	25	155	178,5	113,6	465,9	2234	5742	4119	2060

PABS

IPIRANGA PABS DOUBLE NUT

Reference	Recirculation	Nominal diameter	Lead	Ball diameter	Root diameter	Circuits	Dimensions					Dimensions					Loads and rigidity				
							Ln	D1	D4	D6	D5	L7	L1	L8	L9	Cam	Coam	Rsm	Rbt	Rnu	Rnu.ar
DOUBLE NUT Ref	S/U/B Tipo	do mm	Ph mm	Dw mm	d3 mm	i units	mm	mm	mm	mm	mm	mm	mm	mm	mm	KN	KN	N/μm	N/μm	N/μm	N/μm
DFB-120-10-7-5	S	120	10	7,144	114,6	5	200	150	176	202	175	30	25	155	178,5	138,2	588,9	2234	7113	5116	2558
DFB-120-10-7-6	S	120	10	7,144	114,6	6	220	150	176	202	175	30	25	155	178,5	162,3	714,4	2234	8474	6107	3054
DFB-120-12-8-3	S	120	12	7,938	114,1	3	174	160	186	212	175	30	25	165	188,5	100,6	370,9	2222	4327	3443	1722
DFB-120-12-8-3	U	120	12	7,938	113,3	3	153	170	196	222	175	30	25	175	198,5	103	385,8	2191	4461	3670	1835
DFB-120-12-8-4	S	120	12	7,938	114,1	4	202	160	186	212	175	30	25	165	188,5	129,4	499,9	2222	5701	4547	2274
DFB-120-12-8-5	S	120	12	7,938	114,1	5	226	160	186	212	175	30	25	165	188,5	157,4	631,5	2222	7062	5643	2822
DFB-120-12-8-6	S	120	12	7,938	114,1	6	252	160	186	212	175	30	25	165	188,5	184,8	765,5	2222	8412	6731	3366
DFB-120-16-9-3	U	120	16	9,525	112,2	3	180	170	196	222	175	30	25	175	198,5	133,6	461,8	2163	4651	3959	1980
DFB-120-16-9-3	B	120	16	9,525	112,2	3	180	170	196	222	175	30	25	175	198,5	133,6	461,8	2163	4651	3835	1918
DFB-120-16-9-4	U	120	16	9,525	112,2	4	212	170	196	222	175	30	25	175	198,5	174,8	638,1	2163	6270	5328	2664
DFB-120-16-9-4	B	120	16	9,525	112,2	4	215	160	186	212	175	30	25	165	188,5	171,8	621,7	2163	6127	5063	2532
DFB-120-16-9-5	B	120	16	9,525	112,2	5	247	160	186	212	175	30	25	165	188,5	208,8	784,4	2163	7587	6279	3140
DFB-120-16-9-6	B	120	16	9,525	112,2	6	279	160	186	212	175	30	25	165	188,5	249,4	974,9	2163	9250	7634	3817
DFB-120-16-9-7	B	120	16	9,525	112,2	7	327	160	186	212	175	30	25	165	188,5	285,6	1147,3	2163	10724	8860	4430
DFB-120-16-9-8	B	120	16	9,525	112,2	8	359	160	186	212	175	30	25	165	188,5	320,4	1311,2	2163	12181	10075	5038
DFB-120-16-9-9	B	120	16	9,525	112,2	9	391	160	186	212	175	30	25	165	188,5	354,5	1475,1	2163	13627	11281	5641
DFB-120-16-9-10	B	120	16	9,525	112,2	10	439	160	186	212	175	30	25	165	188,5	388,2	1639	2163	15068	12485	6243
DFB-120-16-12-2	B	120	16	12,7	111	2	144	175	201	227	175	30	40	180	203,5	142	414	2144	3341	2805	1403
DFB-120-16-12-3	B	120	16	12,7	111	3	176	175	201	227	175	30	40	180	203,5	201,9	625,6	2144	4922	4144	2072
DFB-120-16-12-4	B	120	16	12,7	111	4	208	175	201	227	175	30	40	180	203,5	265,3	869,3	2144	6680	5608	2804
DFB-120-16-12-5	B	120	16	12,7	111	5	256	175	201	227	175	30	40	180	203,5	315,1	1057,9	2144	8026	6780	3390
DFB-120-16-12-6	B	120	16	12,7	111	6	288	175	201	227	175	30	40	180	203,5	378	1322,4	2144	9850	8292	4146
DFB-120-16-12-7	B	120	16	12,7	111	7	320	175	201	227	175	30	40	180	203,5	432,7	1553,3	2144	11419	9622	4811
DFB-120-16-12-8	B	120	16	12,7	111	8	352	175	201	227	175	30	40	180	203,5	485,4	1775,2	2144	12969	10939	5470
DFB-120-16-12-9	B	120	16	12,7	111	9	400	175	201	227	175	30	40	180	203,5	537,2	1997,1	2144	14511	12250	6125
DFB-120-16-12-10	B	120	16	12,7	111	10	432	175	201	227	175	30	40	180	203,5	588,1	2219	2144	16044	13554	6777
DFB-120-20-9-3	B	120	20	9,525	112,2	3	195	160	186	212	175	30	25	165	188,5	133,5	461,6	2163	4646	3971	1986
DFB-120-20-9-4	B	120	20	9,525	112,2	4	255	160	186	212	175	30	25	165	188,5	171,7	621,4	2163	6121	5240	2620
DFB-120-20-9-5	B	120	20	9,525	112,2	5	295	160	186	212	175	30	25	165	188,5	208,7	784,1	2163	7580	6498	3249
DFB-120-20-9-6	B	120	20	9,525	112,2	6	335	160	186	212	175	30	25	165	188,5	249,2	974,4	2163	9239	7902	3951
DFB-120-20-9-7	B	120	20	9,525	112,2	7	395	160	186	212	175	30	25	165	188,5	285,4	1146,8	2163	10713	9171	4586
DFB-120-20-9-8	B	120	20	9,525	112,2	8	435	160	186	212	175	30	25	165	188,5	320,2	1310,6	2163	12168	10426	5213
DFB-120-20-9-9	B	120	20	9,525	112,2	9	475	160	186	212	175	30	25	165	188,5	354,3	1474,4	2163	13614	11674	5837
DFB-120-20-9-10	B	120	20	9,525	112,2	10	535	160	186	212	175	30	25	165	188,5	387,9	1638,2	2163	15052	12916	6458
DFB-120-20-12-3	U	120	20	12,7	111	3	222	170	196	222	175	30	25	175	198,5	201,8	625,3	2144	4918	4225	2113
DFB-120-20-12-4	U	120	20	12,7	111	4	262	170	196	222	175	30	25	175	198,5	259,2	839,9	2144	6475	5573	2787
DFB-120-20-12-5	U	120	20	12,7	111	5	302	170	196	222	175	30	25	175	198,5	322,1	1093,8	2144	8263	7091	3546
DFB-120-20-12-6	U	120	20	12,7	111	6	342	170	196	222	175	30	25	175	198,5	377,8	1321,8	2144	9840	8453	4227
DFB-120-20-12-6	B	120	20	12,7	111	6	344	175	201	227	175	30	40	180	203,5	377,8	1321,8	2144	9840	8555	4278
DFB-120-20-12-7	B	120	20	12,7	111	7	384	175	201	227	175	30	40	180	203,5	432,5	1552,6	2144	11408	9926	4963
DFB-120-20-12-8	B	120	20	12,7	111	8	424	175	201	227	175	30	40	180	203,5	485,1	1774,4	2144	12956	11283	5642
DFB-120-20-12-9	B	120	20	12,7	111	9	484	175	201	227	175	30	40	180	203,5	536,8	1996,1	2144	14496	12632	6316

PABS

IPIRANGA PABS DOUBLE NUT

Reference	Recirculation	Nominal diameter	Lead	Ball diameter	Root diameter	Circuits	Dimensions					Dimensions					Loads and rigidity				
							Ln	D1	D4	D6	D5	L7	L1	L8	L9	Cam KN	Coam KN	Rsm N/μm	Rbt N/μm	Rnu N/μm	Rnu.ar N/μm
DOUBLE NUT Ref	S/U/B Tipo	do mm	Ph mm	Dw mm	d3 mm	i units	Ln mm	D1 mm	D4 mm	D6 mm	D5 mm	L7 mm	L1 mm	L8 mm	L9 mm	Cam KN	Coam KN	Rsm N/μm	Rbt N/μm	Rnu N/μm	Rnu.ar N/μm
DFB-120-20-12-10	B	120	20	12,7	111	10	524	175	201	227	175	30	40	180	203,5	587,7	2217,9	2144	16027	13976	6988
DFB-120-20-15-2	B	120	20	15,875	107	2	184	180	206	232	175	30	40	185	208,5	197,8	606,2	2023	3525	3080	1540
DFB-120-20-15-3	U	120	20	15,875	107	3	224	180	206	232	175	30	40	185	208,5	281,4	915,9	2023	5194	4509	2255
DFB-120-20-15-3	B	120	20	15,875	107	3	224	180	206	232	175	30	40	185	208,5	281,4	915,9	2023	5194	4548	2274
DFB-120-20-15-4	U	120	20	15,875	107	4	264	180	206	232	175	30	40	185	208,5	361,7	1229,7	2023	6841	5948	2974
DFB-120-20-15-4	B	120	20	15,875	107	4	264	180	206	232	175	30	40	185	208,5	372,1	1283,2	2023	7105	6201	3101
DFB-120-20-15-5	U	120	20	15,875	107	5	304	180	206	232	175	30	40	185	208,5	452,4	1615	2023	8800	7622	3811
DFB-120-20-15-5	B	120	20	15,875	107	5	304	180	206	232	175	30	40	185	208,5	452,4	1615	2023	8800	7689	3845
DFB-120-20-15-6	U	120	20	15,875	107	6	344	180	206	232	175	30	40	185	208,5	530,9	1950,9	2023	10481	9087	4544
DFB-120-20-15-6	B	120	20	15,875	107	6	355	185	211	237	175	30	40	190	213,5	530,9	1950,9	2023	10481	9167	4584
DFB-120-20-15-7	U	120	20	15,875	107	7	384	180	206	232	175	30	40	185	208,5	608,1	2291,1	2023	12153	10545	5273
DFB-120-20-15-7	B	120	20	15,875	107	7	395	185	211	237	175	30	40	190	213,5	608,1	2291,1	2023	12153	10637	5319
DFB-120-20-15-8	U	120	20	15,875	107	8	424	180	206	232	175	30	40	185	208,5	682,1	2618,4	2023	13803	11986	5993
DFB-120-20-15-8	B	120	20	15,875	107	8	435	185	211	237	175	30	40	190	213,5	682,1	2618,4	2023	13803	12091	6046
DFB-120-20-15-9	B	120	20	15,875	107	9	475	185	211	237	175	30	40	190	213,5	754,8	2945,6	2023	15443	13536	6768
DFB-120-20-15-10	B	120	20	15,875	107	10	515	185	211	237	175	30	40	190	213,5	826,4	3272,9	2023	17075	14976	7488
DFB-120-30-12-3	U	120	30	12,7	111	3	274	170	196	222	175	30	25	175	198,5	201,3	624,3	2144	4900	4419	2210
DFB-120-30-12-4	U	120	30	12,7	111	4	334	170	196	222	175	30	25	175	198,5	258,6	838,5	2144	6453	5826	2913
DFB-120-30-12-5	U	120	30	12,7	111	5	394	170	196	222	175	30	25	175	198,5	321,4	1092	2144	8234	7419	3710
DFB-120-30-12-6	U	120	30	12,7	111	6	454	170	196	222	175	30	25	175	198,5	377	1319,6	2144	9806	8842	4421
DFB-120-30-12-6	B	120	30	12,7	111	6	469	175	201	227	175	30	40	180	203,5	377	1319,6	2144	9806	8916	4458
DFB-120-30-15-3	U	120	30	15,875	107	3	303	180	206	232	175	30	40	185	208,5	280,8	914,3	2023	5176	4701	2351
DFB-120-30-15-4	U	120	30	15,875	107	4	363	180	206	232	175	30	40	185	208,5	360,9	1227,7	2023	6817	6199	3100
DFB-120-30-15-5	U	120	30	15,875	107	5	423	180	206	232	175	30	40	185	208,5	451,4	1612,3	2023	8769	7952	3976
DFB-120-30-15-6	U	120	30	15,875	107	6	483	180	206	232	175	30	40	185	208,5	529,8	1947,7	2023	10445	9479	4740
DFB-120-30-19-3	B	120	30	19,05	104,1	3	282	195	221	247	175	40	40	200	223,5	354,1	1071,5	1942	5221	4796	2398
DFB-120-30-19-4	B	120	30	19,05	104,1	4	342	195	221	247	175	40	40	200	223,5	470,8	1512,8	1942	7197	6593	3297
DFB-120-30-19-5	B	120	30	19,05	104,1	5	402	195	221	247	175	40	40	200	223,5	572,2	1902,1	1942	8912	8170	4085
DFB-120-30-19-6	B	120	30	19,05	104,1	6	462	195	221	247	175	40	40	200	223,5	671,5	2295,8	1942	10615	9737	4869
DFB-120-40-12-2	B	120	40	12,7	111	2	258	170	196	222	175	30	25	175	198,5	141,2	412,2	2144	3310	3077	1539
DFB-120-40-12-3	U	120	40	12,7	111	3	338	170	196	222	175	30	25	175	198,5	200,7	622,9	2144	4877	4511	2256
DFB-120-40-12-3	B	120	40	12,7	111	3	338	170	196	222	175	30	25	175	198,5	200,7	622,9	2144	4877	4539	2270
DFB-120-40-12-4	U	120	40	12,7	111	4	418	170	196	222	175	30	25	175	198,5	257,9	836,6	2144	6422	5945	2973
DFB-120-40-12-4	B	120	40	12,7	111	4	418	170	196	222	175	30	25	175	198,5	263,8	865,4	2144	6619	6153	3077
DFB-120-40-12-5	U	120	40	12,7	111	5	498	170	196	222	175	30	25	175	198,5	320,5	1089,5	2144	8195	7574	3787
DFB-120-40-12-5	B	120	40	12,7	111	5	524	175	201	227	175	30	40	180	203,5	313,3	1053,2	2144	7952	7413	3707
DFB-120-40-12-6	B	120	40	12,7	111	6	604	175	201	227	175	30	40	180	203,5	375,9	1316,6	2144	9760	9084	4542
DFB-120-40-15-2	B	120	40	15,875	107	2	256	180	206	232	175	30	40	185	208,5	196,8	603,8	2023	3495	3262	1631
DFB-120-40-15-3	U	120	40	15,875	107	3	336	180	206	232	175	30	40	185	208,5	319,5	933,7	2023	5653	5221	2611
DFB-120-40-15-3	B	120	40	15,875	107	3	336	180	206	232	175	30	40	185	208,5	319,5	933,7	2023	5653	5248	2624
DFB-120-40-15-4	U	120	40	15,875	107	4	416	180	206	232	175	30	40	185	208,5	359,8	1224,8	2023	6784	6314	3157
DFB-120-40-15-4	B	120	40	15,875	107	4	416	180	206	232	175	30	40	185	208,5	370,2	1278,1	2023	7046	6571	3286

IPIRANGA PABS DOUBLE NUT

Reference	Recirculation	Nominal diameter	Lead	Ball diameter	Root diameter	Circuits	Dimensions					Dimensions					Loads and rigidity					
							Ln	D1	D4	D6	D5	L7	L1	L8	L9	Cam	Coam	Rsm	Rbt	Rnu	Rnu.ar	
DOUBLE NUT Ref	S/U/B Tipo	do mm	Ph mm	Dw mm	d3 mm	i units	mm	mm	mm	mm	mm	mm	mm	mm	mm	KN	KN	N/μm	N/μm	N/μm	N/μm	
DFB-120-40-15-5	U	120	40	15,875	107	5	496	180	206		232	175	30	40	185	208,5	450	1608,5	2023	8726	8105	4053
DFB-120-40-15-5	B	120	40	15,875	107	5	496	180	206		232	175	30	40	185	208,5	450	1608,5	2023	8726	8143	4072
DFB-120-40-15-6	B	120	40	15,875	107	6	615	185	211		237	175	30	40	190	213,5	528,2	1943,2	2023	10394	9704	4852
DFB-120-40-19-2	B	120	40	19,05	104,1	2	267	195	221		247	175	40	40	200	223,5	248,2	708,3	1942	3526	3304	1652
DFB-120-40-19-3	B	120	40	19,05	104,1	3	347	195	221		247	175	40	40	200	223,5	353	1069	1942	5196	4874	2437
DFB-120-40-19-4	B	120	40	19,05	104,1	4	427	195	221		247	175	40	40	200	223,5	469,4	1509,3	1942	7162	6704	3352
DFB-120-40-19-5	B	120	40	19,05	104,1	5	507	195	221		247	175	40	40	200	223,5	570,5	1897,8	1942	8869	8306	4153
DFB-120-40-19-6	B	120	40	19,05	104,1	6	627	195	221		247	175	40	40	200	223,5	669,5	2290,5	1942	10564	9898	4949
DFB-120-50-12-2	B	120	50	12,7	111	2	284	170	196		222	175	30	25	175	198,5	140,7	411	2144	3290	3103	1552
DFB-120-50-12-3	U	120	50	12,7	111	3	384	170	196		222	175	30	25	175	198,5	200	621,1	2144	4847	4553	2277
DFB-120-50-12-3	B	120	50	12,7	111	3	384	170	196		222	175	30	25	175	198,5	200	621,1	2144	4847	4577	2289
DFB-120-50-12-4	U	120	50	12,7	111	4	484	170	196		222	175	30	25	175	198,5	256,9	834,2	2144	6383	6000	3000
DFB-120-50-12-4	B	120	50	12,7	111	4	484	170	196		222	175	30	25	175	198,5	262,8	862,9	2144	6578	6205	3103
DFB-120-50-12-5	B	120	50	12,7	111	5	639	175	201		227	175	30	40	180	203,5	312,1	1050,1	2144	7903	7471	3736
DFB-120-50-12-6	B	120	50	12,7	111	6	737	175	201		227	175	30	40	180	203,5	374,5	1312,7	2144	9700	9158	4579
DFB-120-50-15-2	B	120	50	15,875	107	2	292	180	206		232	175	30	40	185	208,5	196,1	602	2023	3474	3287	1644
DFB-120-50-15-3	U	120	50	15,875	107	3	392	180	206		232	175	30	40	185	208,5	278,9	909,5	2023	5119	4830	2415
DFB-120-50-15-3	B	120	50	15,875	107	3	392	180	206		232	175	30	40	185	208,5	278,9	909,5	2023	5119	4848	2424
DFB-120-50-15-4	U	120	50	15,875	107	4	509	180	206		232	175	30	40	185	208,5	358,4	1221,2	2023	6742	6365	3183
DFB-120-50-15-4	B	120	50	15,875	107	4	509	180	206		232	175	30	40	185	208,5	368,8	1274,3	2023	7003	6623	3312
DFB-120-50-15-5	B	120	50	15,875	107	5	650	185	211		237	175	30	40	190	213,5	435,8	1537	2023	8350	7916	3958
DFB-120-50-15-6	B	120	50	15,875	107	6	748	185	211		237	175	30	40	190	213,5	526,1	1937,5	2023	10329	9777	4889
DFB-120-50-19-2	B	120	50	19,05	104,1	2	312	195	221		247	175	40	40	200	223,5	247,3	706,2	1942	3504	3326	1663
DFB-120-50-19-3	B	120	50	19,05	104,1	3	412	195	221		247	175	40	40	200	223,5	351,7	1065,8	1942	5164	4906	2453
DFB-120-50-19-4	B	120	50	19,05	104,1	4	512	195	221		247	175	40	40	200	223,5	467,6	1504,9	1942	7118	6751	3376
DFB-120-50-19-5	B	120	50	19,05	104,1	5	662	195	221		247	175	40	40	200	223,5	549,2	1797,6	1942	8421	8009	4005
DFB-120-50-19-6	B	120	50	19,05	104,1	6	760	195	221		247	175	40	40	200	223,5	666,9	2283,7	1942	10498	9965	4983
DFB-125-16-9-3	B	125	16	9,525	117,2	3	167	165	191		217	175	30	25	170	193,5	136,7	486,7	2356	4851	3950	1975
DFB-125-16-9-4	B	125	16	9,525	117,2	4	215	165	191		217	175	30	25	170	193,5	175,8	655,1	2356	6390	5214	2607
DFB-125-16-9-5	B	125	16	9,525	117,2	5	247	165	191		217	175	30	25	170	193,5	213,7	826,6	2356	7913	6468	3234
DFB-125-16-9-6	B	125	16	9,525	117,2	6	279	165	191		217	175	30	25	170	193,5	250,8	1000,9	2356	9426	7715	3858
DFB-125-16-9-7	B	125	16	9,525	117,2	7	327	165	191		217	175	30	25	170	193,5	287,3	1177,9	2356	10930	8956	4478
DFB-125-16-9-8	B	125	16	9,525	117,2	8	359	165	191		217	175	30	25	170	193,5	322,2	1346,2	2356	12413	10183	5092
DFB-125-16-9-9	B	125	16	9,525	117,2	9	391	165	191		217	175	30	25	170	193,5	356,6	1514,5	2356	13888	11404	5702
DFB-125-16-9-10	B	125	16	9,525	117,2	10	439	165	191		217	175	30	25	170	193,5	390,4	1682,7	2356	15356	12620	6310
DFB-125-16-12-2	B	125	16	12,7	116	2	144	180	206		232	175	30	25	185	208,5	143,8	428,8	2336	3432	2857	1429
DFB-125-16-12-3	B	125	16	12,7	116	3	176	180	206		232	175	30	25	185	208,5	204,4	648,1	2336	5056	4222	2111
DFB-125-16-12-4	B	125	16	12,7	116	4	208	180	206		232	175	30	25	185	208,5	268,4	899,4	2336	6855	5708	2854
DFB-125-16-12-5	B	125	16	12,7	116	5	256	180	206		232	175	30	25	185	208,5	326,1	1132,3	2336	8488	7078	3539
DFB-125-16-12-6	B	125	16	12,7	116	6	288	180	206		232	175	30	25	185	208,5	382,4	1368,3	2336	10108	8440	4220
DFB-125-16-12-7	B	125	16	12,7	116	7	320	180	206		232	175	30	25	185	208,5	437,8	1607,2	2336	11718	9794	4897
DFB-125-16-12-8	B	125	16	12,7	116	8	352	180	206		232	175	30	25	185	208,5	491	1836,7	2336	13308	11135	5568

IPIRANGA PABS DOUBLE NUT

Reference	Recirculation	Nominal diameter	Lead	Ball diameter	Root diameter	Circuits	Dimensions					Dimensions					Loads and rigidity				
							Ln	D1	D4	D6	D5	L7	L1	L8	L9	Cam	Coam	Rsm	Rbt	Rnu	Rnu.ar
DOUBLE NUT Ref	S/U/B Tipo	do mm	Ph mm	Dw mm	d3 mm	i units	mm	mm	mm	mm	mm	mm	mm	mm	mm	KN	KN	N/μm	N/μm	N/μm	N/μm
DFB-125-16-12-9	B	125	16	12,7	116	9	400	180	206	232	175	30	25	185	208,5	543,4	2066,3	2336	14890	12469	6235
DFB-125-16-12-10	B	125	16	12,7	116	10	432	180	206	232	175	30	25	185	208,5	594,9	2295,9	2336	16463	13798	6899
DFB-125-20-9-3	B	125	20	9,525	117,2	3	195	165	191	217	175	30	25	170	193,5	136,7	486,4	2356	4847	4099	2050
DFB-125-20-9-4	B	125	20	9,525	117,2	4	255	165	191	217	175	30	25	170	193,5	175,7	654,8	2356	6384	5409	2705
DFB-125-20-9-5	B	125	20	9,525	117,2	5	295	165	191	217	175	30	25	170	193,5	213,6	826,2	2356	7906	6708	3354
DFB-125-20-9-6	B	125	20	9,525	117,2	6	335	165	191	217	175	30	25	170	193,5	250,7	1000,4	2356	9417	7999	4000
DFB-125-20-9-7	B	125	20	9,525	117,2	7	395	165	191	217	175	30	25	170	193,5	287,1	1177,4	2356	10919	9284	4642
DFB-125-20-9-8	B	125	20	9,525	117,2	8	435	165	191	217	175	30	25	170	193,5	322	1345,6	2356	12401	10554	5277
DFB-125-20-9-9	B	125	20	9,525	117,2	9	475	165	191	217	175	30	25	170	193,5	356,4	1513,8	2356	13875	11818	5909
DFB-125-20-9-10	B	125	20	9,525	117,2	10	535	165	191	217	175	30	25	170	193,5	390,2	1682	2356	15341	13076	6538
DFB-125-20-12-3	U	125	20	12,7	116	3	222	175	201	227	175	30	25	180	203,5	204,3	647,8	2336	5052	4308	2154
DFB-125-20-12-4	U	125	20	12,7	116	4	262	175	201	227	175	30	25	180	203,5	268,2	899,1	2336	6848	5825	2913
DFB-125-20-12-5	U	125	20	12,7	116	5	302	175	201	227	175	30	25	180	203,5	325,9	1131,8	2336	8480	7223	3612
DFB-125-20-12-6	U	125	20	12,7	116	6	342	175	201	227	175	30	25	180	203,5	382,2	1367,7	2336	10098	8611	4306
DFB-125-20-12-6	B	125	20	12,7	116	6	404	180	206	232	175	30	25	185	208,5	382,2	1367,7	2336	10098	8721	4361
DFB-125-20-12-7	B	125	20	12,7	116	7	384	180	206	232	175	30	25	185	208,5	437,5	1606,4	2336	11707	10119	5060
DFB-125-20-12-8	B	125	20	12,7	116	8	424	180	206	232	175	30	25	185	208,5	490,8	1835,9	2336	13297	11503	5752
DFB-125-20-12-9	B	125	20	12,7	116	9	484	180	206	232	175	30	25	185	208,5	543,1	2065,4	2336	14877	12879	6440
DFB-125-20-12-10	B	125	20	12,7	116	10	524	180	206	232	175	30	25	185	208,5	594,6	2294,9	2336	16448	14248	7124
DFB-125-20-15-2	B	125	20	15,875	112	2	184	185	211	237	175	30	40	190	213,5	201,9	633,7	2210	3652	3167	1584
DFB-125-20-15-3	B	125	20	15,875	112	3	224	185	211	237	175	30	40	190	213,5	287,2	957,4	2210	5381	4677	2339
DFB-125-20-15-4	B	125	20	15,875	112	4	264	185	211	237	175	30	40	190	213,5	379,2	1339	2210	7349	6367	3184
DFB-125-20-15-5	B	125	20	15,875	112	5	304	185	211	237	175	30	40	190	213,5	461	1685,2	2210	9101	7895	3948
DFB-125-20-15-6	B	125	20	15,875	112	6	355	190	216	242	175	30	40	195	218,5	541	2035,8	2210	10840	9412	4706
DFB-125-20-15-7	B	125	20	15,875	112	7	395	190	216	242	175	30	40	195	218,5	619,6	2390,7	2210	12569	10922	5461
DFB-125-20-15-8	B	125	20	15,875	112	8	435	190	216	242	175	30	40	195	218,5	695	2732,2	2210	14276	12416	6208
DFB-125-20-15-9	B	125	20	15,875	112	9	475	190	216	242	175	30	40	195	218,5	769,1	3073,7	2210	15972	13901	6951
DFB-125-20-15-10	B	125	20	15,875	112	10	515	190	216	242	175	30	40	195	218,5	842,1	3415,3	2210	17660	15379	7690
DFB-125-30-12-3	U	125	30	12,7	116	3	274	175	201	227	175	30	25	180	203,5	203,9	646,8	2336	5036	4517	2259
DFB-125-30-12-4	U	125	30	12,7	116	4	334	175	201	227	175	30	25	180	203,5	267,7	897,7	2336	6827	6113	3057
DFB-125-30-12-5	U	125	30	12,7	116	5	394	175	201	227	175	30	25	180	203,5	325,2	1130,1	2336	8453	7577	3789
DFB-125-30-12-6	U	125	30	12,7	116	6	454	175	201	227	175	30	25	180	203,5	381,5	1365,6	2336	10067	9030	4515
DFB-125-30-12-6	B	125	30	12,7	116	6	469	180	206	232	175	30	25	185	208,5	381,5	1365,6	2336	10067	9111	4556
DFB-125-30-15-3	U	125	30	15,875	112	3	303	185	211	237	175	30	40	190	213,5	286,6	955,9	2210	5364	4845	2423
DFB-125-30-15-4	U	125	30	15,875	112	4	363	185	211	237	175	30	40	190	213,5	368,3	1283,5	2210	7064	6388	3194
DFB-125-30-15-5	U	125	30	15,875	112	5	423	185	211	237	175	30	40	190	213,5	460,1	1682,7	2210	9072	8182	4091
DFB-125-30-15-6	U	125	30	15,875	112	6	483	185	211	237	175	30	40	190	213,5	539,9	2032,7	2210	10805	9752	4876
DFB-125-30-19-3	B	125	30	19,05	109,1	3	282	200	226	252	175	40	40	205	228,5	363,9	1130,5	2125	5454	4983	2492
DFB-125-30-19-4	B	125	30	19,05	109,1	4	342	200	226	252	175	40	40	205	228,5	483,1	1592,1	2125	7502	6835	3418
DFB-125-30-19-5	B	125	30	19,05	109,1	5	402	200	226	252	175	40	40	205	228,5	587,1	2001,8	2125	9290	8471	4236
DFB-125-30-19-6	B	125	30	19,05	109,1	6	462	200	226	252	175	40	40	205	228,5	688,9	2416	2125	11064	10095	5048
DFB-125-40-12-2	B	125	40	12,7	116	2	258	175	201	227	175	30	25	180	203,5	143	427,1	2336	3402	3151	1576

PABS

IPIRANGA PABS DOUBLE NUT

Reference	Recirculation	Nominal diameter	Lead	Ball diameter	Root diameter	Circuits	Dimensions					Dimensions					Loads and rigidity				
							Ln	D1	D4	D6	D5	L7	L1	L8	L9	Cam	Coam	Rsm	Rbt	Rnu	Rnu.ar
DOUBLE NUT Ref	S/U/B Tipo	do mm	Ph mm	Dw mm	d3 mm	i units	mm	mm	mm	mm	mm	mm	mm	mm	mm	KN	KN	N/μm	N/μm	N/μm	N/μm
DFB-125-40-12-3	U	125	40	12,7	116	3	338	175	201	227	175	30	25	180	203,5	203,3	645,5	2336	5013	4617	2309
DFB-125-40-12-3	B	125	40	12,7	116	3	338	175	201	227	175	30	25	180	203,5	203,3	645,5	2336	5013	4649	2325
DFB-125-40-12-4	U	125	40	12,7	116	4	418	175	201	227	175	30	25	180	203,5	267	895,8	2336	6797	6252	3126
DFB-125-40-12-4	B	125	40	12,7	116	4	418	175	201	227	175	30	25	180	203,5	267	895,8	2336	6797	6295	3148
DFB-125-40-12-5	U	125	40	12,7	116	5	498	175	201	227	175	30	25	180	203,5	324,3	1127,7	2336	8415	7746	3873
DFB-125-40-12-5	B	125	40	12,7	116	5	524	180	206	232	175	30	25	185	208,5	324,3	1127,7	2336	8415	7799	3900
DFB-125-40-12-6	B	125	40	12,7	116	6	604	180	206	232	175	30	25	185	208,5	380,4	1362,7	2336	10022	9294	4647
DFB-125-40-15-2	B	125	40	15,875	112	2	256	185	211	237	175	30	40	190	213,5	200,9	631,4	2210	3623	3367	1684
DFB-125-40-15-3	U	125	40	15,875	112	3	336	185	211	237	175	30	40	190	213,5	325,8	976,3	2210	5858	5385	2693
DFB-125-40-15-3	B	125	40	15,875	112	3	336	185	211	237	175	30	40	190	213,5	325,8	976,3	2210	5858	5415	2708
DFB-125-40-15-4	U	125	40	15,875	112	4	416	185	211	237	175	30	40	190	213,5	367,3	1280,8	2210	7033	6518	3259
DFB-125-40-15-4	B	125	40	15,875	112	4	416	185	211	237	175	30	40	190	213,5	377,4	1334,1	2210	7292	6774	3387
DFB-125-40-15-5	U	125	40	15,875	112	5	496	185	211	237	175	30	40	190	213,5	458,8	1679,1	2210	9031	8353	4177
DFB-125-40-15-5	B	125	40	15,875	112	5	496	185	211	237	175	30	40	190	213,5	458,8	1679,1	2210	9031	8395	4198
DFB-125-40-15-6	B	125	40	15,875	112	6	615	190	216	242	175	30	40	195	218,5	538,4	2028,4	2210	10757	10004	5002
DFB-125-40-19-2	B	125	40	19,05	109,1	2	267	200	226	252	175	40	40	205	228,5	255,2	747,5	2125	3685	3438	1719
DFB-125-40-19-3	B	125	40	19,05	109,1	3	347	200	226	252	175	40	40	205	228,5	362,9	1128,1	2125	5430	5072	2536
DFB-125-40-19-4	B	125	40	19,05	109,1	4	427	200	226	252	175	40	40	205	228,5	481,7	1588,7	2125	7468	6961	3481
DFB-125-40-19-5	B	125	40	19,05	109,1	5	507	200	226	252	175	40	40	205	228,5	585,5	1997,6	2125	9248	8625	4313
DFB-125-40-19-6	B	125	40	19,05	109,1	6	627	200	226	252	175	40	40	205	228,5	665	2296,1	2125	10547	9870	4935
DFB-125-50-12-2	B	125	50	12,7	116	2	286	175	201	227	175	30	25	180	203,5	142,5	425,9	2336	3383	3181	1591
DFB-125-50-12-3	U	125	50	12,7	116	3	386	175	201	227	175	30	25	180	203,5	202,6	643,7	2336	4985	4667	2334
DFB-125-50-12-3	B	125	50	12,7	116	3	386	175	201	227	175	30	25	180	203,5	202,6	643,7	2336	4985	4693	2347
DFB-125-50-12-4	U	125	50	12,7	116	4	486	175	201	227	175	30	25	180	203,5	266	893,4	2336	6758	6320	3160
DFB-125-50-12-4	B	125	50	12,7	116	4	486	175	201	227	175	30	25	180	203,5	266	893,4	2336	6758	6355	3178
DFB-125-50-12-5	B	125	50	12,7	116	5	639	180	206	232	175	30	25	185	208,5	323,2	1124,7	2336	8368	7874	3937
DFB-125-50-12-6	B	125	50	12,7	116	6	737	180	206	232	175	30	25	185	208,5	379,1	1359	2336	9965	9380	4690
DFB-125-50-15-2	B	125	50	15,875	112	2	292	185	211	237	175	30	40	190	213,5	200,2	629,7	2210	3603	3398	1699
DFB-125-50-15-3	U	125	50	15,875	112	3	392	185	211	237	175	30	40	190	213,5	284,8	951,3	2210	5309	4992	2496
DFB-125-50-15-3	B	125	50	15,875	112	3	392	185	211	237	175	30	40	190	213,5	284,8	951,3	2210	5309	5012	2506
DFB-125-50-15-4	U	125	50	15,875	112	4	509	185	211	237	175	30	40	190	213,5	366	1277,3	2210	6992	6579	3290
DFB-125-50-15-4	B	125	50	15,875	112	4	509	185	211	237	175	30	40	190	213,5	376,1	1330,5	2210	7251	6835	3418
DFB-125-50-15-5	B	125	50	15,875	112	5	650	190	216	242	175	30	40	195	218,5	444,9	1607,5	2210	8659	8183	4092
DFB-125-50-15-6	B	125	50	15,875	112	6	748	190	216	242	175	30	40	195	218,5	536,5	2022,8	2210	10695	10091	5046
DFB-125-50-19-2	B	125	50	19,05	109,1	2	312	200	226	252	175	40	40	205	228,5	254,3	745,5	2125	3664	3466	1733
DFB-125-50-19-3	B	125	50	19,05	109,1	3	412	200	226	252	175	40	40	205	228,5	361,6	1125	2125	5399	5112	2556
DFB-125-50-19-4	B	125	50	19,05	109,1	4	512	200	226	252	175	40	40	205	228,5	480	1584,4	2125	7425	7018	3509
DFB-125-50-19-5	B	125	50	19,05	109,1	5	662	200	226	252	175	40	40	205	228,5	564,7	1897,3	2125	8805	8346	4173
DFB-125-50-19-6	B	125	50	19,05	109,1	6	760	200	226	252	175	40	40	205	228,5	662,6	2289,8	2125	10487	9944	4972
DFB-140-16-12-2	B	140	16	12,7	131	2	144	195	221	247	175	40	40	200	223,5	151,8	487,7	2962	3800	3067	1534
DFB-140-16-12-3	B	140	16	12,7	131	3	176	195	221	247	175	40	40	200	223,5	215,8	737,1	2962	5598	4534	2267
DFB-140-16-12-4	B	140	16	12,7	131	4	208	195	221	247	175	40	40	200	223,5	277,2	989,9	2962	7372	5984	2992

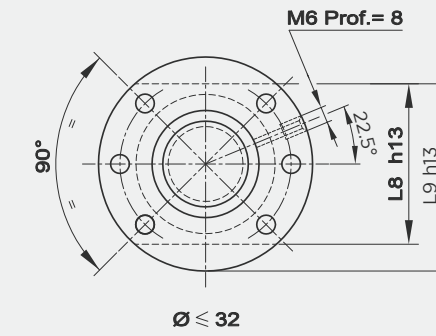
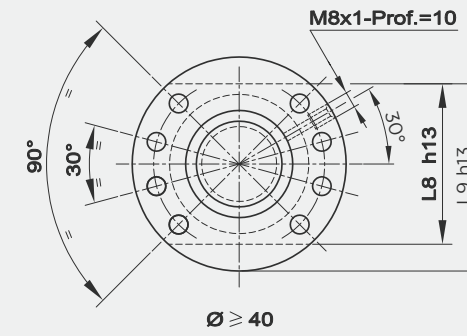
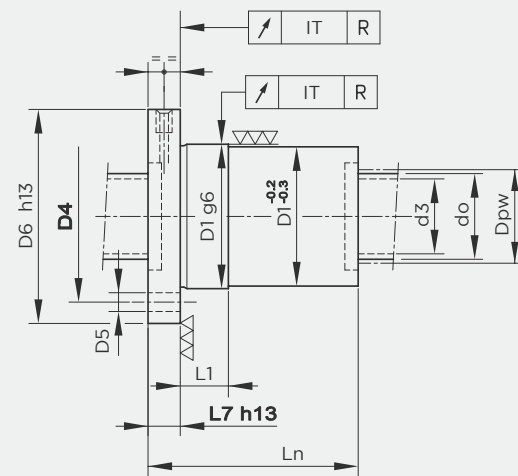
IPIRANGA PABS DOUBLE NUT

Reference	Recirculation	Nominal diameter	Lead	Ball diameter	Root diameter	Circuits	Dimensions					Dimensions					Loads and rigidity				
							Ln	D1	D4	D6	D5	L7	L1	L8	L9	Cam	Coam	Rsm	Rbt	Rnu	Rnu.ar
DOUBLE NUT Ref	S/U/B Tipo	do mm	Ph mm	Dw mm	d3 mm	i units	mm	mm	mm	mm	mm	mm	mm	mm	mm	KN	KN	N/μm	N/μm	N/μm	N/μm
DFB-140-16-12-5	B	140	16	12,7	131	5	256	195	221	247	175	40	40	200	223,5	336,8	1246,1	2962	9128	7423	3712
DFB-140-16-12-6	B	140	16	12,7	131	6	288	195	221	247	175	40	40	200	223,5	395	1505,7	2962	10870	8852	4426
DFB-140-16-12-7	B	140	16	12,7	131	7	320	195	221	247	175	40	40	200	223,5	452,1	1768,5	2962	12601	10273	5137
DFB-140-16-12-8	B	140	16	12,7	131	8	352	195	221	247	175	40	40	200	223,5	517	2080,6	2962	14685	11929	5965
DFB-140-16-12-9	B	140	16	12,7	131	9	400	195	221	247	175	40	40	200	223,5	561,2	2273,8	2962	16012	13082	6541
DFB-140-16-12-10	B	140	16	12,7	131	10	432	195	221	247	175	40	40	200	223,5	626,4	2600,8	2962	18166	14785	7393
DFB-140-20-12-2	B	140	20	12,7	131	2	164	195	221	247	175	40	40	200	223,5	151,8	487,6	2962	3797	3188	1594
DFB-140-20-12-3	B	140	20	12,7	131	3	204	195	221	247	175	40	40	200	223,5	215,8	736,8	2962	5595	4711	2356
DFB-140-20-12-4	B	140	20	12,7	131	4	244	195	221	247	175	40	40	200	223,5	277,1	989,5	2962	7367	6215	3108
DFB-140-20-12-5	B	140	20	12,7	131	5	304	195	221	247	175	40	40	200	223,5	336,7	1245,7	2962	9121	7706	3853
DFB-140-20-12-6	B	140	20	12,7	131	6	344	195	221	247	175	40	40	200	223,5	394,8	1505,2	2962	10862	9187	4594
DFB-140-20-12-7	B	140	20	12,7	131	7	384	195	221	247	175	40	40	200	223,5	451,9	1767,9	2962	12591	10660	5330
DFB-140-20-12-8	B	140	20	12,7	131	8	424	195	221	247	175	40	40	200	223,5	516,8	2079,9	2962	14674	12386	6193
DFB-140-20-12-9	B	140	20	12,7	131	9	484	195	221	247	175	40	40	200	223,5	560,9	2273	2962	16000	13571	6786
DFB-140-20-12-10	B	140	20	12,7	131	10	524	195	221	247	175	40	40	200	223,5	626,1	2599,9	2962	18152	15347	7674
DFB-140-20-15-2	B	140	20	15,875	127	2	186	200	226	252	175	30	40	205	228,5	213,3	716,3	2820	4025	3442	1721
DFB-140-20-15-3	B	140	20	15,875	127	3	226	200	226	252	175	30	40	205	228,5	303,3	1082,1	2820	5931	5085	2543
DFB-140-20-15-4	B	140	20	15,875	127	4	266	200	226	252	175	30	40	205	228,5	389,8	1452,8	2820	7811	6708	3354
DFB-140-20-15-5	B	140	20	15,875	127	5	315	210	236	262	175	30	40	215	238,5	473,7	1828,3	2820	9672	8317	4159
DFB-140-20-15-6	B	140	20	15,875	127	6	355	210	236	262	175	30	40	215	238,5	555,9	2208,6	2820	11520	9917	4959
DFB-140-20-15-7	B	140	20	15,875	127	7	395	210	236	262	175	30	40	215	238,5	636,6	2593,4	2820	13357	11508	5754
DFB-140-20-15-8	B	140	20	15,875	127	8	435	210	236	262	175	30	40	215	238,5	731,6	3073,7	2820	15669	13450	6725
DFB-140-20-15-9	B	140	20	15,875	127	9	495	210	236	262	175	30	40	215	238,5	790,2	3334,4	2820	16974	14648	7324
DFB-140-20-15-10	B	140	20	15,875	127	10	535	210	236	262	175	30	40	215	238,5	886,3	3842,1	2820	19383	16663	8332
DFB-140-30-12-2	B	140	30	12,7	131	2	199	195	221	247	175	40	40	200	223,5	151,5	487	2962	3787	3360	1680
DFB-140-30-12-3	B	140	30	12,7	131	3	259	195	221	247	175	40	40	200	223,5	215,4	735,9	2962	5580	4961	2481
DFB-140-30-12-4	B	140	30	12,7	131	4	319	195	221	247	175	40	40	200	223,5	276,7	988,3	2962	7348	6542	3271
DFB-140-30-12-5	B	140	30	12,7	131	5	409	195	221	247	175	40	40	200	223,5	336,1	1244,2	2962	9098	8108	4054
DFB-140-30-12-6	B	140	30	12,7	131	6	469	195	221	247	175	40	40	200	223,5	394,2	1503,4	2962	10834	9663	4832
DFB-140-30-19-3	B	140	30	19,05	124,1	3	282	220	246	272	175	40	40	225	248,5	391,4	1307,8	2723	6140	5544	2772
DFB-140-30-19-4	B	140	30	19,05	124,1	4	342	220	246	272	175	40	40	225	248,5	502,8	1754	2723	8086	7310	3655
DFB-140-30-19-5	B	140	30	19,05	124,1	5	402	220	246	272	175	40	40	225	248,5	611	2205,3	2723	10013	9060	4530
DFB-140-30-19-6	B	140	30	19,05	124,1	6	492	220	246	272	175	40	40	225	248,5	716,8	2661,5	2723	11925	10798	5399
DFB-140-40-12-2	B	140	40	12,7	131	2	244	195	221	247	175	40	40	200	223,5	151,2	486,1	2962	3774	3447	1724
DFB-140-40-12-3	B	140	40	12,7	131	3	324	195	221	247	175	40	40	200	223,5	214,9	734,7	2962	5560	5086	2543
DFB-140-40-12-4	B	140	40	12,7	131	4	404	195	221	247	175	40	40	200	223,5	276,1	986,7	2962	7322	6705	3353
DFB-140-40-12-5	B	140	40	12,7	131	5	524	195	221	247	175	40	40	200	223,5	335,4	1242,1	2962	9065	8307	4154
DFB-140-40-12-6	B	140	40	12,7	131	6	604	195	221	247	175	40	40	200	223,5	413,9	1301,6	2962	13168	11858	5929
DFB-140-40-15-2	B	140	40	15,875	127	2	258	200	226	252	175	30	40	205	228,5	212,4	714,2	2820	4000	3690	1845
DFB-140-40-15-3	B	140	40	15,875	127	3	338	200	226	252	175	30	40	205	228,5	343,3	1104,1	2820	6459	5923	2962
DFB-140-40-15-4	B	140	40	15,875	127	4	418	200	226	252	175	30	40	205	228,5	388,3	1448,5	2820	7763	7177	3589
DFB-140-40-15-5	B	140	40	15,875	127	5	535	210	236	262	175	30	40	215	238,5	471,9	1823	2820	9612	8893	4447
DFB-140-40-15-6	B	140	40	15,875	127	6	615	210	236	262	175	30	40	215	238,5	553,8	2202,1	2820	11450	10599	5300

IPIRANGA PABS DOUBLE NUT

Reference	Recirculation	Nominal diameter	Lead	Ball diameter	Root diameter	Circuits	Dimensions					Dimensions					Loads and rigidity				
							Ln	D1	D4	D6	D5	L7	L1	L8	L9	Cam	Coam	Rsm	Rbt	Rnu	Rnu.ar
DOUBLE NUT Ref	S/U/B Tipo	do mm	Ph mm	Dw mm	d3 mm	i units	mm	mm	mm	mm	mm	mm	mm	mm	mm	KN	KN	N/μm	N/μm	N/μm	N/μm
DFB-140-40-19-2	B	140	40	19,05	124,1	2	267	220	246	272	175	40	40	225	248,5	266,7	827,5	2723	3992	3701	1851
DFB-140-40-19-3	B	140	40	19,05	124,1	3	347	220	246	272	175	40	40	225	248,5	390,5	1305,6	2723	6118	5663	2832
DFB-140-40-19-4	B	140	40	19,05	124,1	4	427	220	246	272	175	40	40	225	248,5	501,7	1751	2723	8057	7465	3733
DFB-140-40-19-5	B	140	40	19,05	124,1	5	507	220	246	272	175	40	40	225	248,5	609,7	2201,5	2723	9977	9250	4625
DFB-140-40-19-6	B	140	40	19,05	124,1	6	627	220	246	272	175	40	40	225	248,5	715,2	2656,9	2723	11882	11022	5511
DFB-140-50-12-2	B	140	50	12,7	131	2	289	195	221	247	175	40	40	200	223,5	150,8	485,1	2962	3757	3493	1747
DFB-140-50-12-3	B	140	50	12,7	131	3	389	195	221	247	175	40	40	200	223,5	214,3	733,1	2962	5535	5153	2577
DFB-140-50-12-4	B	140	50	12,7	131	4	489	195	221	247	175	40	40	200	223,5	275,3	984,5	2962	7288	6790	3395
DFB-140-50-12-5	B	140	50	12,7	131	5	639	195	221	247	175	40	40	200	223,5	334,4	1239,4	2962	9024	8413	4207
DFB-140-50-12-6	B	140	50	12,7	131	6	737	195	221	247	175	40	40	200	223,5	392,2	1497,5	2962	10746	10023	5012
DFB-140-50-15-2	B	140	50	15,875	127	2	294	200	226	252	175	30	40	205	228,5	211,8	712,6	2820	3981	3731	1866
DFB-140-50-15-3	B	140	50	15,875	127	3	394	200	226	252	175	30	40	205	228,5	301,3	1076,5	2820	5867	5505	2753
DFB-140-50-15-4	B	140	50	15,875	127	4	510	200	226	252	175	30	40	205	228,5	387,2	1445,3	2820	7727	7255	3628
DFB-140-50-15-5	B	140	50	15,875	127	5	650	210	236	262	175	30	40	215	238,5	470,6	1819	2820	9569	8990	4495
DFB-140-50-15-6	B	140	50	15,875	127	6	748	210	236	262	175	30	40	215	238,5	552,2	2197,3	2820	11397	10712	5356
DFB-140-50-19-2	B	140	50	19,05	124,1	2	312	220	246	272	175	40	40	225	248,5	265,9	825,7	2723	3973	3739	1870
DFB-140-50-19-3	B	140	50	19,05	124,1	3	412	220	246	272	175	40	40	225	248,5	389,4	1302,7	2723	6090	5724	2862
DFB-140-50-19-4	B	140	50	19,05	124,1	4	512	220	246	272	175	40	40	225	248,5	500,3	1747,2	2723	8020	7544	3772
DFB-140-50-19-5	B	140	50	19,05	124,1	5	662	220	246	272	175	40	40	225	248,5	607,9	2196,7	2723	9931	9346	4673
DFB-140-50-19-6	B	140	50	19,05	124,1	6	760	220	246	272	175	40	40	225	248,5	713,2	2651,1	2723	11828	11137	5569
DFB-160-20-15-2	B	160	20	15,875	147	2	175	230	256	282	175	40	40	235	258,5	227	826,4	3748	4508	3741	1871
DFB-160-20-15-3	B	160	20	15,875	147	3	215	230	256	282	175	40	40	235	258,5	322,7	1248,4	3748	6641	5527	2764
DFB-160-20-15-4	B	160	20	15,875	147	4	275	230	256	282	175	40	40	235	258,5	414,7	1676	3748	8747	7295	3648
DFB-160-20-15-5	B	160	20	15,875	147	5	315	230	256	282	175	40	40	235	258,5	504	2109,1	3748	10832	9047	4524
DFB-160-20-15-6	B	160	20	15,875	147	6	355	230	256	282	175	40	40	235	258,5	591,3	2547,6	3748	12900	10788	5394
DFB-160-20-15-7	B	160	20	15,875	147	7	415	230	256	282	175	40	40	235	258,5	677	2991,4	3748	14956	12520	6260
DFB-160-20-15-8	B	160	20	15,875	147	8	455	230	256	282	175	40	40	235	258,5	759,4	3418,7	3748	16987	14235	7118
DFB-160-20-15-9	B	160	20	15,875	147	9	495	230	256	282	175	40	40	235	258,5	840,3	3846	3748	19005	15940	7970
DFB-160-20-15-10	B	160	20	15,875	147	10	555	230	256	282	175	40	40	235	258,5	920	4273,4	3748	21013	17638	8819
DFB-160-30-19-3	B	160	30	19,05	144,1	3	282	240	266	292	175	40	40	245	268,5	413,6	1487,4	3637	6794	6023	3012
DFB-160-30-19-4	B	160	30	19,05	144,1	4	342	240	266	292	175	40	40	245	268,5	531,2	1994,9	3637	8946	7942	3971
DFB-160-30-19-5	B	160	30	19,05	144,1	5	432	240	266	292	175	40	40	245	268,5	645,5	2508	3637	11077	9844	4922
DFB-160-30-19-6	B	160	30	19,05	144,1	6	492	240	266	292	175	40	40	245	268,5	757,1	3026,6	3637	13191	11733	5867
DFB-160-40-19-2	B	160	40	19,05	144,1	2	267	240	266	292	175	40	40	245	268,5	331,2	1010,6	3637	5114	4614	2307
DFB-160-40-19-3	B	160	40	19,05	144,1	3	347	240	266	292	175	40	40	245	268,5	412,9	1485,4	3637	6775	6183	3092
DFB-160-40-19-4	B	160	40	19,05	144,1	4	427	240	266	292	175	40	40	245	268,5	530,3	1992,2	3637	8921	8151	4076
DFB-160-40-19-5	B	160	40	19,05	144,1	5	547	240	266	292	175	40	40	245	268,5	644,4	2504,6	3637	11046	10100	5050
DFB-160-40-19-6	B	160	40	19,05	144,1	6	627	240	266	292	175	40	40	245	268,5	755,8	3022,6	3637	13155	12036	6018
DFB-160-50-19-2	B	160	50	19,05	144,1	2	312	240	266	292	175	40	40	245	268,5	289,8	982,7	3637	4582	4252	2126
DFB-160-50-19-3	B	160	50	19,05	144,1	3	412	240	266	292	175	40	40	245	268,5	412	1482,9	3637	6751	6273	3137
DFB-160-50-19-4	B	160	50	19,05	144,1	4	512	240	266	292	175	40	40	245	268,5	529,2	1988,9	3637	8890	8267	4134
DFB-160-50-19-5	B	160	50	19,05	144,1	5	662	240	266	292	175	40	40	245	268,5	642,9	2500,4	3637	11007	10243	5122
DFB-160-50-19-6	B	160	50	19,05	144,1	6	760	240	266	292	175	40	40	245	268,5	754,2	3017,5	3637	13109	12205	6103

IPIRANGA
PABS
SINGLE NUT
Ball Size Preload



Reference	Recirculation	Nominal diameter	Lead	Ball diameter	Root diameter	Circuits	Dimensions										Loads and rigidity					
							Ln	D1	D4	D6	D5	L7	L1	L8	L9	Cam	Coam	Rsm	Rbt	Rnu	Rnu.ar	
SINGLE NUT Ref	S/U/B Tipo	do mm	Ph mm	Dw mm	d3 mm	i units	Ln mm	D1 mm	D4 mm	D6 mm	D5 mm	L7 mm	L1 mm	L8 mm	L9 mm	Cam KN	Coam KN	Rsm N/μm	Rbt N/μm	Rnu N/μm	Rnu.ar N/μm	
SFB-16-5-4-2-BS	S	16	5	3,969	13	2	40	28	38	48	5,5	10	10	40	44	10	15,2	33	380	340	170	
SFB-16-5-4-3-BS	S	16	5	3,969	13	3	44	28	38	48	5,5	10	10	40	44	14,3	23,2	33	560	501	251	
SFB-16-5-4-4-BS	S	16	5	3,969	13	4	50	28	38	48	5,5	10	10	40	44	18,6	31,6	33	740	663	332	
SFB-16-5-4-5-BS	S	16	5	3,969	13	5	55	28	38	48	5,5	10	10	40	44	22,7	40,2	33	918	823	412	
SFB-20-5-4-3-BS	S	20	5	3,969	17	3	44	36	47	58	6,6	10	10	44	51	16,4	30	54	690	613	307	
SFB-20-5-4-4-BS	S	20	5	3,969	17	4	50	36	47	58	6,6	10	10	44	51	21,2	40,8	54	911	809	405	
SFB-20-5-4-5-BS	S	20	5	3,969	17	5	55	36	47	58	6,6	10	10	44	51	25,9	51,9	54	1130	1005	503	
SFB-20-5-4-6-BS	S	20	5	3,969	17	6	60	36	47	58	6,6	10	10	44	51	30,5	63,3	54	1347	1198	599	
SFB-25-5-4-3-BS	S	25	5	3,969	22	3	44	40	51	62	6,6	10	10	48	55	18,6	39,1	88	853	720	360	
SFB-25-5-4-4-BS	S	25	5	3,969	22	4	50	40	51	62	6,6	10	10	48	55	24,1	53	88	1126	952	476	
SFB-25-5-4-5-BS	S	25	5	3,969	22	5	55	40	51	62	6,6	10	10	48	55	29,3	67,5	88	1395	1181	591	
SFB-25-5-4-6-BS	S	25	5	3,969	22	6	60	40	51	62	6,6	10	10	48	55	34,5	82,3	88	1663	1409	705	
SFB-25-10-4-3-BS	S	25	10	3,969	22,06	3	65	40	51	62	6,6	10	10	48	55	17,1	34,5	88	760	703	352	
SFB-25-10-4-4-BS	S	25	10	3,969	22,06	4	76	40	51	62	6,6	10	10	48	55	22,1	46,9	88	1002	927	464	
SFB-25-10-5-3-BS	S	25	10	4,762	21,5	3	65	40	51	62	6,6	10	10	48	55	21,2	39,2	85	756	695	348	
SFB-25-10-5-4-BS	S	25	10	4,762	21,5	4	76	40	51	62	6,6	10	10	48	55	27,3	53,2	85	996	916	458	
SFB-32-5-4-3-BS	S	32	5	3,969	29	3	45	50	65	80	9	12	10	62	71	20,9	50,4	149	1046	856	428	
SFB-32-5-4-4-BS	S	32	5	3,969	29	4	51	50	65	80	9	12	10	62	71	26,9	68,5	149	1378	1130	565	
SFB-32-5-4-5-BS	S	32	5	3,969	29	5	57	50	65	80	9	12	10	62	71	32,8	87	149	1708	1403	702	
SFB-32-5-4-6-BS	S	32	5	3,969	29	6	62	50	65	80	9	12	10	62	71	38,5	106,1	149	2034	1673	837	
SFB-32-10-6-3-BS	S	32	10	6,35	27,2	3	70	50	65	80	9	12	20	62	71	38,9	68,5	137	1024	907	454	
SFB-32-10-6-4-BS	S	32	10	6,35	27,2	4	82	50	65	80	9	12	20	62	71	50,1	92,6	137	1349	1196	598	
SFB-32-10-6-5-BS	S	32	10	6,35	27,2	5	92	50	65	80	9	12	20	62	71	61,1	117,3	137	1672	1483	742	
SFB-32-10-6-6-BS	S	32	10	6,35	27,2	6	102	50	65	80	9	12	20	62	71	71,9	142,5	137	1994	1770	885	
SFB-32-20-5-3-BS	S	32	20	4,762	28,5	3	116	56	71	86	9	14	20	65	75,5	22,9	48,4	145	875	842	421	
SFB-32-25-5-2-BS	S	32	25	4,762	28,5	2	87	56	71	86	9	14	20	65	75,5	15,8	31,4	145	581	564	282	
SFB-40-5-4-3-BS	S	40	5	3,969	37	3	48	63	78	93	9	14	10	70	81,5	23,6	66,3	238	1301	1034	517	
SFB-40-5-4-4-BS	S	40	5	3,969	37	4	54	63	78	93	9	14	10	70	81,5	30,4	89,9	238	1714	1365	683	
SFB-40-5-4-5-BS	S	40	5	3,969	37	5	59	63	78	93	9	14	10	70	81,5	37,1	114,3	238	2126	1696	848	
SFB-40-5-4-6-BS	S	40	5	3,969	37	6	64	63	78	93	9	14	10	70	81,5	43,5	139,3	238	2531	2022	1011	
SFB-40-10-6-3-BS	S	40	10	6,35	35,2	3	74	63	78	93	9	14	20	70	81,5	44,7	90,8	224	1286	1124	562	
SFB-40-10-6-4-BS	S	40	10	6,35	35,2	4	85	63	78	93	9	14	20	70	81,5	57,6	122,7	224	1695	1483	742	
SFB-40-10-6-5-BS	S	40	10	6,35	35,2	5	96	63	78	93	9	14	20	70	81,5	70,1	155,4	224	2100	1839	920	
SFB-40-10-7-3-BS	S	40	10	7,144	34,6	3	74	63	78	93	9	14	20	70	81,5	49,3	93	219	1213	1062	531	
SFB-40-10-7-4-BS	S	40	10	7,144	34,6	4	85	63	78	93	9	14	20	70	81,5	63,6	125,5	219	1600	1402	701	
SFB-40-10-7-5-BS	S	40	10	7,144	34,6	5	96	63	78	93	9	14	20	70	81,5	77,5	158,8	219	1983	1740	870	

IPIRANGA
PABS
SINGLE NUT
Ball Size Preload

Reference	Recirculation	Nominal diameter	Lead	Ball diameter	Root diameter	Circuits	Dimensions					Dimensions					Loads and rigidity				
							Ln	D1	D4	D6	D5	L7	L1	L8	L9	Cam	Coam	Rsm	Rbt	Rnu	Rnu.ar
SINGLE NUT Ref	S/U/B Tipo	do mm	Ph mm	Dw mm	d3 mm	i units	mm	mm	mm	mm	mm	mm	mm	mm	mm	KN	KN	N/μm	N/μm	N/μm	N/μm
SFB-40-12-6-3-BS	S	40	12	6,35	35,2	3	84	63	78	93	9	14	20	70	81,5	44,6	90,7	224	1282	1145	573
SFB-40-12-6-4-BS	S	40	12	6,35	35,2	4	97	63	78	93	9	14	20	70	81,5	57,5	122,6	224	1690	1511	756
SFB-40-12-6-5-BS	S	40	12	6,35	35,2	5	110	63	78	93	9	14	20	70	81,5	70	155,2	224	2094	1873	937
SFB-40-20-6-3-BS	S	40	20	6,35	35,2	3	119	63	78	93	9	14	20	70	81,5	40,6	79,5	224	1129	1062	531
SFB-40-20-6-4-BS	S	40	20	6,35	35,2	4	141	63	78	93	9	14	20	70	81,5	52,4	107,4	224	1489	1401	701
SFB-40-25-6-2-BS	S	40	25	6,35	35,2	2	103	70	85	100	9	14	20	75	87,5	28,3	51,9	224	756	726	363
SFB-40-25-6-3-BS	S	40	25	6,35	35,2	3	132	70	85	100	9	14	20	75	87,5	40,3	79	224	1115	1072	536
SFB-50-5-4-3-BS	S	50	5	3,969	47	3	49	75	93	110	11	16	10	85	97,5	25,7	82,2	380	1540	1162	581
SFB-50-5-4-4-BS	S	50	5	3,969	47	4	54	75	93	110	11	16	10	85	97,5	33,1	111,6	380	2029	1535	768
SFB-50-5-4-5-BS	S	50	5	3,969	47	5	59	75	93	110	11	16	10	85	97,5	40,2	141,8	380	2512	1905	953
SFB-50-5-4-6-BS	S	50	5	3,969	47	6	66	75	93	110	11	16	10	85	97,5	47,2	172,8	380	2993	2273	1137
SFB-50-10-7-3-BS	S	50	10	7,144	44,6	3	76	75	93	110	11	16	20	85	97,5	57,9	127,7	355	1572	1317	659
SFB-50-10-7-4-BS	S	50	10	7,144	44,6	4	87	75	93	110	11	16	20	85	97,5	74,6	172,4	355	2072	1739	870
SFB-50-10-7-5-BS	S	50	10	7,144	44,6	5	98	75	93	110	11	16	20	85	97,5	90,8	218	355	2567	2158	1079
SFB-50-10-7-6-BS	S	50	10	7,144	44,6	6	109	75	93	110	11	16	20	85	97,5	106,8	264,6	355	3060	2575	1288
SFB-50-12-8-3-BS	S	50	12	7,938	44,1	3	96	75	93	110	11	16	20	85	97,5	66,1	138,9	350	1578	1349	675
SFB-50-12-8-4-BS	S	50	12	7,938	44,1	4	109	75	93	110	11	16	20	85	97,5	85,1	187,3	350	2079	1780	890
SFB-50-12-8-5-BS	S	50	12	7,938	44,1	5	121	75	93	110	11	16	20	85	97,5	103,6	236,7	350	2576	2208	1104
SFB-50-16-8-3-BS	S	50	16	7,938	44,1	3	108	75	93	110	11	16	20	85	97,5	63,3	130,4	350	1488	1329	665
SFB-50-16-8-4-BS	S	50	16	7,938	44,1	4	125	75	93	110	11	16	20	85	97,5	81,5	175,9	350	1961	1753	877
SFB-50-16-8-5-BS	S	50	16	7,938	44,1	5	142	75	93	110	11	16	20	85	97,5	99,2	222,3	350	2430	2174	1087
SFB-50-20-8-3-BS	S	50	20	7,938	44,1	3	126	75	93	110	11	16	20	85	97,5	63,1	130,1	350	1480	1351	676
SFB-50-20-8-4-BS	S	50	20	7,938	44,1	4	148	75	93	110	11	16	20	85	97,5	81,2	175,5	350	1950	1782	891
SFB-50-20-8-5-BS	S	50	20	7,938	44,1	5	169	75	93	110	11	16	20	85	97,5	98,9	221,7	350	2417	2210	1105
SFB-63-5-4-3-BS	S	63	5	3,969	60	3	53	90	108	125	11	18	10	95	110	28,7	107,2	614	1901	1326	663
SFB-63-5-4-4-BS	S	63	5	3,969	60	4	58	90	108	125	11	18	10	95	110	37	145,4	614	2506	1753	877
SFB-63-5-4-5-BS	S	63	5	3,969	60	5	63	90	108	125	11	18	10	95	110	45	184,7	614	3104	2178	1089
SFB-63-5-4-6-BS	S	63	5	3,969	60	6	68	90	108	125	11	18	10	95	110	52,8	225,1	614	3697	2599	1300
SFB-63-10-7-3-BS	S	63	10	7,144	57,6	3	83	90	108	125	11	18	20	95	110	66	169,7	582	1975	1568	784
SFB-63-10-7-4-BS	S	63	10	7,144	57,6	4	89	90	108	125	11	18	20	95	110	84,9	229	582	2601	2070	1035
SFB-63-10-7-5-BS	S	63	10	7,144	57,6	5	100	90	108	125	11	18	20	95	110	103,4	289,5	582	3223	2570	1285
SFB-63-10-7-6-BS	S	63	10	7,144	57,6	6	111	90	108	125	11	18	20	95	110	121,5	351,3	582	3841	3067	1534
SFB-63-12-8-4-BS	S	63	12	7,938	57,1	4	110	95	115	135	13,5	20	25	100	117,5	96,2	245,1	576	2577	2170	1085
SFB-63-12-8-5-BS	S	63	12	7,938	57,1	5	123	95	115	135	13,5	20	25	100	117,5	117,1	309,7	576	3192	2691	1346
SFB-63-12-8-6-BS	S	63	12	7,938	57,1	6	136	95	115	135	13,5	20	25	100	117,5	137,5	375,5	576	3803	3210	1605
SFB-63-16-8-4-BS	S	63	16	7,938	57,1	4	129	95	115	135	13,5	20	25	100	117,5	93,1	233,6	576	2465	2172	1086
SFB-63-16-8-5-BS	S	63	16	7,938	57,1	5	145	95	115	135	13,5	20	25	100	117,5	113,3	295,2	576	3054	2694	1347
SFB-63-16-8-6-BS	S	63	16	7,938	57,1	6	161	95	115	135	13,5	20	25	100	117,5	133,1	358	576	3639	3213	1607
SFB-63-20-9-3-BS	S	63	20	9,525	55,9	3	131	95	115	135	13,5	20	25	100	117,5	90	197,3	559	1852	1661	831
SFB-63-20-9-4-BS	S	63	20	9,525	55,9	4	152	95	115	135	13,5	20	25	100	117,5	115,8	265,6	559	2440	2191	1096
SFB-63-20-9-5-BS	S	63	20	9,525	55,9	5	173	95	115	135	13,5	20	25	100	117,5	140,9	335,3	559	3023	2717	1359
SFB-80-10-7-3-BS	S	80	10	7,144	74,6	3	83	105	125	145	13,5	20	16	110	127,5	73,3	218,9	962	2413	1722	861

IPIRANGA
PABS
SINGLE NUT
Ball Size Preload

Reference	Recirculation	Nominal diameter	Lead	Ball diameter	Root diameter	Circuits	Dimensions					Dimensions					Loads and rigidity				
							Ln	D1	D4	D6	D5	L7	L1	L8	L9	Cam	Coam	Rsm	Rbt	Rnu	Rnu.ar
SINGLE NUT Ref	S/U/B Tipo	do mm	Ph mm	Dw mm	d3 mm	i units	mm	mm	mm	mm	mm	mm	mm	mm	mm	KN	KN	N/μm	N/μm	N/μm	N/μm
SFB-80-10-7-4-BS	S	80	10	7,44	74,6	4	94	105	125	145	13,5	20	16	110	127,5	94,3	295,4	962	3179	2276	1138
SFB-80-10-7-5-BS	S	80	10	7,44	74,6	5	105	105	125	145	13,5	20	16	110	127,5	114,7	373,4	962	3937	2826	1413
SFB-80-10-7-6-BS	S	80	10	7,44	74,6	6	116	105	125	145	13,5	20	16	110	127,5	134,7	453,1	962	4690	3374	1687
SFB-80-12-8-4-BS	S	80	12	7,938	74,1	4	115	105	125	145	13,5	25	25	110	127,5	109,1	325,9	954	3234	2389	1195
SFB-80-12-8-5-BS	S	80	12	7,938	74,1	5	127	105	125	145	13,5	25	25	110	127,5	132,8	411,8	954	4007	2967	1484
SFB-80-12-8-6-BS	S	80	12	7,938	74,1	6	140	105	125	145	13,5	25	25	110	127,5	156	499,3	954	4774	3542	1771
SFB-80-16-8-4-BS	S	80	16	7,938	74,1	4	137	105	125	145	13,5	25	25	110	127,5	106,5	314,4	954	3130	2491	1246
SFB-80-16-8-5-BS	S	80	16	7,938	74,1	5	153	105	125	145	13,5	25	25	110	127,5	129,6	397,3	954	3877	3091	1546
SFB-80-16-8-6-BS	S	80	16	7,938	74,1	6	169	105	125	145	13,5	25	25	110	127,5	152,2	481,7	954	4619	3688	1844
SFB-80-20-9-4-BS	S	80	20	9,525	72,9	4	157	125	145	165	13,5	25	25	130	147,5	130,7	347,9	933	3026	2703	1352
SFB-80-20-9-5-BS	S	80	20	9,525	72,9	5	178	125	145	165	13,5	25	25	130	147,5	159	439	933	3749	3352	1676
SFB-80-20-9-6-BS	S	80	20	9,525	72,9	6	199	125	145	165	13,5	25	25	130	147,5	186,7	531,7	933	4466	3996	1998
SFB-80-20-12-4-BS	S	80	20	12,7	70,6	4	165	125	145	165	13,5	25	25	130	147,5	194,2	460,4	894	3199	2812	1406
SFB-80-20-12-5-BS	S	80	20	12,7	70,6	5	186	125	145	165	13,5	25	25	130	147,5	236,3	580,1	894	3963	3487	1744
SFB-80-20-12-6-BS	S	80	20	12,7	70,6	6	207	125	145	165	13,5	25	25	130	147,5	277,5	701,4	894	4722	4158	2079
SFB-80-25-9-4-BS	S	80	25	9,525	72,9	4	185	125	145	165	13,5	25	25	130	147,5	130,4	347,3	933	3016	2754	1377
SFB-80-25-9-5-BS	S	80	25	9,525	72,9	5	211	125	145	165	13,5	25	25	130	147,5	158,6	438,3	933	3735	3413	1707
SFB-80-25-12-4-BS	S	80	25	12,7	70,6	4	188	135	155	175	13,5	25	25	140	157,5	186,1	432,7	894	3021	2777	1389
SFB-80-25-12-5-BS	S	80	25	12,7	70,6	5	214	135	155	175	13,5	25	25	140	157,5	226,4	545,1	894	3742	3442	1721
SFB-100-10-7-3-BS	S	100	10	7,44	94,6	3	85	125	145	165	13,5	22	16	130	147,5	81,4	282,1	1532	2949	1872	936
SFB-100-10-7-4-BS	S	100	10	7,44	94,6	4	95	125	145	165	13,5	22	16	130	147,5	104,7	380,6	1532	3885	2476	1238
SFB-100-10-7-5-BS	S	100	10	7,44	94,6	5	107	125	145	165	13,5	22	16	130	147,5	127,4	481,1	1532	4812	3077	1539
SFB-100-10-7-6-BS	S	100	10	7,44	94,6	6	118	125	145	165	13,5	22	16	130	147,5	149,6	583,7	1532	5733	3676	1838
SFB-100-12-8-5-BS	S	100	12	7,938	94,1	5	132	125	145	165	13,5	30	16	130	147,5	144,7	514,5	1522	4766	3200	1600
SFB-100-12-8-6-BS	S	100	12	7,938	94,1	6	145	125	145	165	13,5	30	16	130	147,5	169,9	623,7	1522	5677	3820	1910
SFB-100-16-8-4-BS	S	100	16	7,938	94,1	4	142	125	145	165	13,5	30	16	130	147,5	116,6	395,7	1522	3747	2754	1377
SFB-100-16-8-5-BS	S	100	16	7,938	94,1	5	158	125	145	165	13,5	30	16	130	147,5	141,9	499,9	1522	4643	3420	1710
SFB-100-16-8-6-BS	S	100	16	7,938	94,1	6	174	125	145	165	13,5	30	16	130	147,5	166,6	606,1	1522	5531	4082	2041
SFB-100-20-9-4-BS	S	100	20	9,525	92,9	4	164	150	176	202	17,5	30	25	155	178,5	148,8	462,5	1495	3806	3291	1646
SFB-100-20-9-5-BS	S	100	20	9,525	92,9	5	185	150	176	202	17,5	30	25	155	178,5	181,1	583,6	1495	4715	4082	2041
SFB-100-20-9-6-BS	S	100	20	9,525	92,9	6	206	150	176	202	17,5	30	25	155	178,5	212,6	706,7	1495	5617	4867	2434
SFB-100-20-12-4-BS	S	100	20	12,7	90,6	4	165	150	176	202	17,5	30	25	155	178,5	220,3	602,7	1445	3970	3375	1688
SFB-100-20-12-5-BS	S	100	20	12,7	90,6	5	186	150	176	202	17,5	30	25	155	178,5	268	759,2	1445	4918	4187	2094
SFB-100-20-12-6-BS	S	100	20	12,7	90,6	6	207	150	176	202	17,5	30	25	155	178,5	314,6	918	1445	5858	4992	2496
SFB-100-20-15-3-BS	S	100	20	15,875	88,3	3	148	160	186	212	17,5	30	25	165	188,5	224	527,8	1396	2990	2573	1287
SFB-100-20-15-4-BS	S	100	20	15,875	88,3	4	170	160	186	212	17,5	30	25	165	188,5	288	708,5	1396	3938	3394	1697
SFB-100-20-15-5-BS	S	100	20	15,875	88,3	5	191	160	186	212	17,5	30	25	165	188,5	350,2	891,5	1396	4878	4210	2105
SFB-100-20-15-6-BS	S	100	20	15,875	88,3	6	211	160	186	212	17,5	30	25	165	188,5	411,1	1076,7	1396	5810	5019	2510
SFB-100-25-9-3-BS	S	100	25	9,525	92,9	3	140	150	186	212	17,5	30	25	165	188,5	115,6	343,2	1495	2883	2560	1280
SFB-100-25-9-4-BS	S	100	25	9,525	92,9	4	188	150	176	202	17,5	30	25	155	178,5	148,6	462	1495	3797	3375	1688
SFB-100-25-9-5-BS	S	100	25	9,525	92,9	5	213	150	176	202	17,5	30	25	155	178,5	180,8	583	1495	4704	4186	2093
SFB-100-25-12-3-BS	S	100	25	12,7	90,6	3	160	150	176	202	17,5	30	25	155	178,5	165,9	427,7	1445	2886	2539	1270

PABS

IPIRANGA
PABS
SINGLE NUT
Ball Size Preload

Reference	Recirculation	Nominal diameter	Lead	Ball diameter	Root diameter	Circuits	Dimensions					Dimensions					Loads and rigidity					
							Ln	D1	D4	D6	D5	L7	L1	L8	L9	Cam	Coam	Rsm	Rbt	Rnu	Rnu.ar	
SINGLE NUT Ref	S/U/B Tipo	do mm	Ph mm	Dw mm	d3 mm	i units	mm	mm	mm	mm	mm	mm	mm	mm	mm	KN	KN	N/μm	N/μm	N/μm	N/μm	
SFB-100-25-12-4-BS	S	100	25	12,7	90,6	4	190	150	176		202	175	30	25	155	178,5	213,3	574,7	1445	3801	3349	1675
SFB-100-25-12-5-BS	S	100	25	12,7	90,6	5	215	150	176		202	175	30	25	155	178,5	259,4	724	1445	4708	4153	2077
SFB-100-25-15-3-BS	S	100	25	15,875	88,3	3	165	160	186		212	175	30	40	165	188,5	223,7	527,3	1396	2983	2641	1321
SFB-100-25-15-4-BS	S	100	25	15,875	88,3	4	195	160	186		212	175	30	40	165	188,5	287,6	707,8	1396	3930	3484	1742
SFB-100-25-15-5-BS	S	100	25	15,875	88,3	5	220	160	186		212	175	30	40	165	188,5	349,7	890,6	1396	4867	4320	2160
SFB-100-25-19-3-BS	S	100	25	19,05	85,9	3	175	160	186		212	175	30	40	165	188,5	255,4	612,8	1348	2909	2562	1281
SFB-100-25-19-4-BS	S	100	25	19,05	85,9	4	200	160	186		212	175	30	40	165	188,5	328,3	821,9	1348	3832	3380	1690
SFB-100-25-19-5-BS	S	100	25	19,05	85,9	5	225	160	186		212	175	30	40	165	188,5	399,2	1033,2	1348	4745	4190	2095
SFB-120-10-7-3-BS	S	120	10	7,144	114,6	3	95	150	176		202	175	30	25	155	178,5	88,3	345,4	2234	3459	2119	1060
SFB-120-10-7-4-BS	S	120	10	7,144	114,6	4	105	150	176		202	175	30	25	155	178,5	113,6	465,9	2234	4557	2804	1402
SFB-120-10-7-5-BS	S	120	10	7,144	114,6	5	115	150	176		202	175	30	25	155	178,5	138,2	588,9	2234	5645	3485	1743
SFB-120-10-7-6-BS	S	120	10	7,144	114,6	6	125	150	176		202	175	30	25	155	178,5	162,3	714,4	2234	6726	4164	2082
SFB-120-12-8-3-BS	S	120	12	7,938	114,1	3	105	160	186		212	175	30	40	165	188,5	100,6	370,9	2222	3435	2440	1220
SFB-120-12-8-4-BS	S	120	12	7,938	114,1	4	120	160	186		212	175	30	40	165	188,5	129,4	499,9	2222	4525	3225	1613
SFB-120-12-8-5-BS	S	120	12	7,938	114,1	5	130	160	186		212	175	30	40	165	188,5	157,4	631,5	2222	5605	4006	2003
SFB-120-12-8-6-BS	S	120	12	7,938	114,1	6	145	160	186		212	175	30	40	165	188,5	184,8	765,5	2222	6677	4782	2391
SFB-120-16-8-3-BS	S	120	16	7,938	114,1	3	120	160	186		212	175	30	40	165	188,5	99	362,3	2222	3362	2588	1294
SFB-120-16-8-4-BS	S	120	16	7,938	114,1	4	140	160	186		212	175	30	40	165	188,5	127,4	488,4	2222	4430	3419	1710
SFB-120-16-8-5-BS	S	120	16	7,938	114,1	5	155	160	186		212	175	30	40	165	188,5	154,9	616,9	2222	5487	4243	2122
SFB-120-16-8-6-BS	S	120	16	7,938	114,1	6	175	160	186		212	175	30	40	165	188,5	181,9	747,8	2222	6537	5063	2532
SFB-120-20-9-3-BS	S	120	20	9,525	112,9	3	140	170	196		222	175	30	25	175	198,5	125,1	417	2189	3365	2792	1396
SFB-120-20-9-4-BS	S	120	20	9,525	112,9	4	160	170	196		222	175	30	25	175	198,5	160,9	561,3	2189	4433	3685	1843
SFB-120-20-9-5-BS	S	120	20	9,525	112,9	5	185	170	196		222	175	30	25	175	198,5	195,8	708,2	2189	5491	4571	2286
SFB-120-20-9-6-BS	S	120	20	9,525	112,9	6	200	170	196		222	175	30	25	175	198,5	229,8	857,6	2189	6541	5452	2726
SFB-120-20-12-3-BS	S	120	20	12,7	110,6	3	145	170	196		222	175	30	25	175	198,5	188,3	554,6	2129	3569	2888	1444
SFB-120-20-12-4-BS	S	120	20	12,7	110,6	4	165	170	196		222	175	30	25	175	198,5	242,1	745,3	2129	4701	3813	1907
SFB-120-20-12-5-BS	S	120	20	12,7	110,6	5	185	170	196		222	175	30	25	175	198,5	294,4	938,8	2129	5823	4731	2366
SFB-120-20-12-6-BS	S	120	20	12,7	110,6	6	205	170	196		222	175	30	25	175	198,5	345,5	1134,9	2129	6935	5643	2822
SFB-120-20-15-3-BS	S	120	20	15,875	108,3	3	150	200	233		265	22	30	40	205	235	248,7	658,3	2069	3568	3050	1525
SFB-120-20-15-4-BS	S	120	20	15,875	108,3	4	170	200	233		265	22	30	40	205	235	319,7	883,5	2069	4700	4025	2013
SFB-120-20-15-5-BS	S	120	20	15,875	108,3	5	195	200	233		265	22	30	40	205	235	388,6	1111,6	2069	5820	4991	2496
SFB-120-20-15-6-BS	S	120	20	15,875	108,3	6	215	200	233		265	22	30	40	205	235	456,1	1342,5	2069	6933	5952	2976
SFB-120-25-12-3-BS	S	120	25	12,7	110,6	3	160	170	196		222	175	30	25	175	198,5	183,5	533,7	2129	3446	2916	1458
SFB-120-25-12-4-BS	S	120	25	12,7	110,6	4	190	170	196		222	175	30	25	175	198,5	235,8	717,2	2129	4539	3847	1924
SFB-120-25-12-5-BS	S	120	25	12,7	110,6	5	215	170	196		222	175	30	25	175	198,5	286,8	903,3	2129	5622	4772	2386
SFB-120-25-15-3-BS	S	120	25	15,875	108,3	3	165	200	233		265	22	30	40	205	235	248,5	657,8	2069	3563	3138	1569
SFB-120-25-15-4-BS	S	120	25	15,875	108,3	4	195	200	233		265	22	30	40	205	235	319,4	882,9	2069	4693	4139	2070
SFB-120-25-15-5-BS	S	120	25	15,875	108,3	5	225	200	233		265	22	30	40	205	235	388,2	1110,8	2069	5811	5130	2565
SFB-120-25-19-3-BS	S	120	25	19,05	105,9	3	175	200	233		265	22	30	40	205	235	294,4	797,3	2010	3612	3158	1579
SFB-120-25-19-4-BS	S	120	25	19,05	105,9	4	200	200	233		265	22	30	40	205	235	378,3	1069,1	2010	4758	4166	2083
SFB-120-25-19-5-BS	S	120	25	19,05	105,9	5	225	200	233		265	22	30	40	205	235	459,8	1344	2010	5891	5164	2582
SFB-125-20-12-3-BS	S	125	20	12,7	115,6	3	145	175	200		226	175	30	30	178	202	191	576	2320	3675	2943	1472

IPIRANGA
PABS
SINGLE NUT
Ball Size Preload

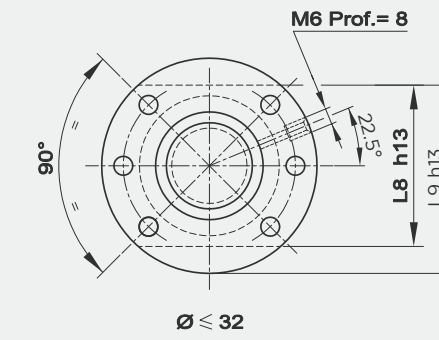
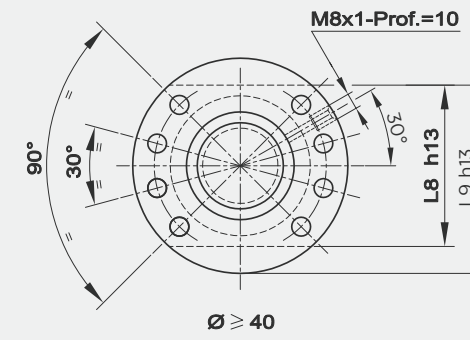
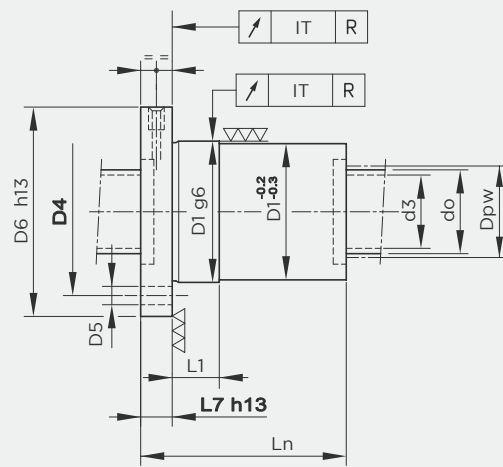
Reference	Recirculation	Nominal diameter	Lead	Ball diameter	Root diameter	Circuits	Dimensions					Dimensions					Loads and rigidity				
							Ln	D1	D4	D6	D5	L7	L1	L8	L9	Cam KN	Coam KN	Rsm N/μm	Rbt N/μm	Rnu N/μm	Rnu.ar N/μm
SINGLE NUT	S/U/B	do	Ph	Dw	d3	i	Ln	D1	D4	D6	D5	L7	L1	L8	L9	Cam	Coam	Rsm	Rbt	Rnu	Rnu.ar
Ref	Tipo	mm	mm	mm	mm	units	mm	mm	mm	mm	mm	mm	mm	mm	mm	KN	KN	N/μm	N/μm	N/μm	N/μm
SFB-125-20-12-4-BS	S	125	20	12,7	115,6	4	165	175	200	226	175	30	30	178	202	245,6	774	2320	4841	3885	1943
SFB-125-20-12-5-BS	S	125	20	12,7	115,6	5	186	175	200	226	175	30	30	178	202	298,6	975	2320	5995	4820	2410
SFB-125-20-12-6-BS	S	125	20	12,7	115,6	6	207	175	200	226	175	30	30	178	202	350,5	1178,7	2320	7141	5750	2875
SFB-125-20-15-3-BS	S	125	20	15,875	113,3	3	150	200	233	265	22	30	40	205	235	254,3	690,9	2258	3709	3120	1560
SFB-125-20-15-4-BS	S	125	20	15,875	113,3	4	170	200	233	265	22	30	40	205	235	326,8	927,3	2258	4884	4116	2058
SFB-125-20-15-5-BS	S	125	20	15,875	113,3	5	195	200	233	265	22	30	40	205	235	397,3	1166,7	2258	6049	5105	2553
SFB-125-25-12-3-BS	S	125	25	12,7	115,6	3	160	200	233	265	22	30	40	205	235	186,3	555,1	2320	3553	3122	1561
SFB-125-25-12-4-BS	S	125	25	12,7	115,6	4	188	175	200	226	175	30	30	178	202	239,5	745,9	2320	4680	3932	1966
SFB-125-25-12-5-BS	S	125	25	12,7	115,6	5	214	175	200	226	175	30	30	178	202	291,2	939,5	2320	5796	4877	2439
SFB-125-25-15-3-BS	S	125	25	15,875	113,3	3	165	200	233	265	22	30	40	205	235	254,1	690,4	2258	3704	3219	1610
SFB-125-25-15-4-BS	S	125	25	15,875	113,3	4	195	200	233	265	22	30	40	205	235	326,5	926,7	2258	4877	4245	2123
SFB-125-25-15-5-BS	S	125	25	15,875	113,3	5	220	200	233	265	22	30	40	205	235	396,9	1165,9	2258	6040	5263	2632
SFB-125-25-19-3-BS	S	125	25	19,05	110,9	3	175	200	233	265	22	30	40	205	235	303,1	843,5	2197	3783	3256	1628
SFB-125-25-19-4-BS	S	125	25	19,05	110,9	4	200	200	233	265	22	30	40	205	235	389,5	1131,1	2197	4982	4295	2148
SFB-125-25-19-5-BS	S	125	25	19,05	110,9	5	225	200	233	265	22	30	40	205	235	473,5	1421,9	2197	6170	5325	2663
SFB-125-30-12-3-BS	U	125	30	12,7	115,6	3	124	175	200	226	175	30	30	178	202	199,6	616,2	2320	3895	3313	1657
SFB-125-30-12-4-BS	U	125	30	12,7	115,6	4	154	175	200	226	175	30	30	178	202	256,6	828,1	2320	5130	4371	2186
SFB-125-30-12-5-BS	U	125	30	12,7	115,6	5	184	175	200	226	175	30	30	178	202	318,9	1077,8	2320	6541	5556	2778
SFB-125-40-12-3-BS	U	125	40	12,7	115,6	3	157	175	200	226	175	30	30	178	202	199,1	614,9	2320	3878	3428	1714
SFB-125-40-12-4-BS	U	125	40	12,7	115,6	4	197	175	200	226	175	30	30	178	202	255,9	826,3	2320	5107	4521	2261
SFB-125-50-12-3-BS	U	125	50	12,7	115,6	3	183	175	200	226	175	30	30	178	202	198,4	613,2	2320	3855	3491	1746
SFB-140-20-12-3-BS	S	140	20	12,7	130,6	3	145	200	233	265	22	30	40	205	235	203	660,8	2944	4101	3274	1637
SFB-140-20-12-4-BS	S	140	20	12,7	130,6	4	170	200	233	265	22	30	40	205	235	260,9	888	2944	5401	4323	2162
SFB-140-20-12-5-BS	S	140	20	12,7	130,6	5	190	200	233	265	22	30	40	205	235	317,2	1118,4	2944	6689	5364	2682
SFB-140-20-12-6-BS	S	140	20	12,7	130,6	6	210	200	233	265	22	30	40	205	235	372,3	1352,1	2944	7968	6398	3199
SFB-140-20-15-3-BS	S	140	20	15,875	128,3	3	150	200	233	265	22	30	40	205	235	269,9	788,9	2874	4122	3243	1622
SFB-140-20-15-4-BS	S	140	20	15,875	128,3	4	170	200	233	265	22	30	40	205	235	346,8	1058,9	2874	5428	4281	2141
SFB-140-20-15-5-BS	S	140	20	15,875	128,3	5	195	200	233	265	22	30	40	205	235	421,6	1332,2	2874	6722	5312	2656
SFB-140-20-15-6-BS	S	140	20	15,875	128,3	6	215	200	233	265	22	30	40	205	235	494,7	1608,7	2874	8006	6337	3169
SFB-140-25-12-3-BS	S	140	25	12,7	130,6	3	165	200	233	265	22	30	40	205	235	198,6	639,8	2944	3982	3329	1665
SFB-140-25-12-4-BS	S	140	25	12,7	130,6	4	195	200	233	265	22	30	40	205	235	255,2	859,8	2944	5245	4394	2197
SFB-140-25-12-5-BS	S	140	25	12,7	130,6	5	220	200	233	265	22	30	40	205	235	310,3	1082,9	2944	6495	5449	2725
SFB-140-25-15-3-BS	S	140	25	15,875	128,3	3	165	200	233	265	22	30	40	205	235	269,7	788,5	2874	4117	3384	1692
SFB-140-25-15-4-BS	S	140	25	15,875	128,3	4	195	200	233	265	22	30	40	205	235	346,6	1058,3	2874	5422	4466	2233
SFB-140-25-15-5-BS	S	140	25	15,875	128,3	5	220	200	233	265	22	30	40	205	235	421,3	1331,4	2874	6714	5539	2770
SFB-140-25-19-3-BS	S	140	25	19,05	125,9	3	175	200	233	265	22	30	40	205	235	317,6	937,9	2805	4110	3334	1667
SFB-140-25-19-4-BS	S	140	25	19,05	125,9	4	200	200	233	265	22	30	40	205	235	408	1257,6	2805	5412	4401	2201
SFB-140-25-19-5-BS	S	140	25	19,05	125,9	5	225	200	233	265	22	30	40	205	235	495,9	1580,9	2805	6703	5460	2730
SFB-160-20-12-3-BS	S	160	20	12,7	150,6	3	145	210	243	275	22	30	25	215	245	212,1	746,4	3891	4503	3313	1657
SFB-160-20-12-4-BS	S	160	20	12,7	150,6	4	170	210	243	275	22	30	25	215	245	272,6	1002,9	3891	5931	4378	2189
SFB-160-20-12-5-BS	S	160	20	12,7	150,6	5	191	210	243	275	22	40	25	215	245	331,4	1263,2	3891	7345	5434	2717
SFB-160-20-12-6-BS	S	160	20	12,7	150,6	6	212	210	243	275	22	40	25	215	245	388,9	1527	3891	8749	6486	3243

PABS

IPIRANGA
PABS
SINGLE NUT
 Ball Size Preload

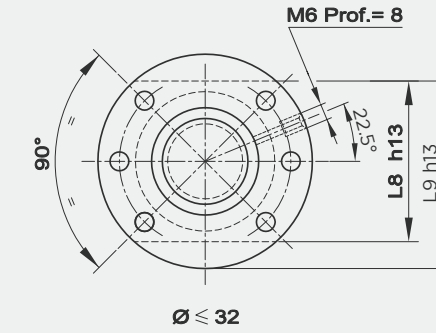
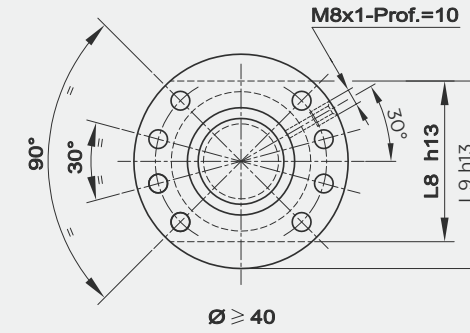
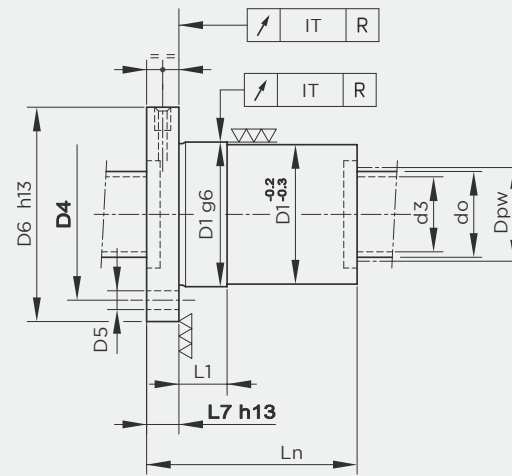
Reference	Recirculation	Nominal diameter	Lead	Ball diameter	Root diameter	Circuits	Dimensions					Dimensions					Loads and rigidity				
							Ln	D1	D4	D6	D5	L7	L1	L8	L9	Cam	Coam	Rsm	Rbt	Rnu	Rnu.ar
SINGLE NUT Ref	S/U/B Tipo	do mm	Ph mm	Dw mm	d3 mm	i units	mm	mm	mm	mm	mm	mm	mm	mm	mm	KN	KN	N/μm	N/μm	N/μm	N/μm
SFB-160-20-15-3-BS	S	160	20	15,875	148,3	3	160	210	243	275	22	40	25	215	245	288,6	919,8	3811	4655	3311	1656
SFB-160-20-15-4-BS	S	160	20	15,875	148,3	4	180	210	243	275	22	40	25	215	245	370,8	1234,4	3811	6130	4375	2188
SFB-160-20-15-5-BS	S	160	20	15,875	148,3	5	205	210	243	275	22	40	25	215	245	450,6	1552,9	3811	7591	5433	2717
SFB-160-20-15-6-BS	S	160	20	15,875	148,3	6	225	210	243	275	22	40	25	215	245	528,7	1875,3	3811	9041	6484	3242
SFB-160-25-12-3-BS	S	160	25	12,7	150,6	3	175	210	243	275	22	40	25	215	245	208	725,4	3891	4388	3428	1714
SFB-160-25-12-4-BS	S	160	25	12,7	150,6	4	191	210	243	261	17,5	30	25	215	238	267,3	974,7	3891	5779	4527	2264
SFB-160-25-12-5-BS	S	160	25	12,7	150,6	5	227	210	243	275	22	40	25	215	245	325	1227,5	3891	7157	5618	2809
SFB-160-25-15-3-BS	S	160	25	15,875	148,3	3	175	210	243	275	22	40	25	215	245	288,4	919,4	3811	4651	3512	1756
SFB-160-25-15-4-BS	S	160	25	15,875	148,3	4	205	210	243	275	22	40	25	215	245	370,6	1233,9	3811	6125	4638	2319
SFB-160-25-15-5-BS	S	160	25	15,875	148,3	5	230	210	243	275	22	40	25	215	245	450,4	1552,3	3811	7585	5757	2879
SFB-160-25-19-3-BS	S	160	25	19,05	145,9	3	185	225	250	285	22	40	25	230	257,5	338	1078,5	3731	4590	3644	1822
SFB-160-25-19-4-BS	S	160	25	19,05	145,9	4	210	225	250	285	22	40	25	230	257,5	434,3	1446,1	3731	6045	4811	2406
SFB-160-25-19-5-BS	S	160	25	19,05	145,9	5	235	225	250	285	22	40	25	230	257,5	527,7	1817,7	3731	7485	5969	2985

IPIRANGA
PABS
SINGLE NUT
Pitch Shift Deviation Preload



Reference	Recirculation	Nominal diameter	Lead	Ball diameter	Root diameter	Circuits	Dimensions										Loads and rigidity					
							Ln	D1	D4	D6	D5	L7	L1	L8	L9	Cam	Coam	Rsm	Rbt	Rnu	Rnu.ar	
SINGLE NUT Ref	S/U/B Tipo	do mm	Ph mm	Dw mm	d3 mm	i units	Ln mm	D1 mm	D4 mm	D6 mm	D5 mm	L7 mm	L1 mm	L8 mm	L9 mm	Cam KN	Coam KN	Rsm N/μm	Rbt N/μm	Rnu N/μm	Rnu.ar N/μm	
SFB-32-5-4-2+2-PS	S	32	5	3,969	29	2	58	50	65	80	9	12	10	62	71	14,6	33	149	892	781	391	
SFB-32-5-4-3+3-PS	S	32	5	3,969	29	3	69	50	65	80	9	12	10	62	71	20,9	50,4	149	1317	1156	578	
SFB-40-5-4-2+2-PS	S	40	5	3,969	37	2	60	63	78	93	9	14	10	70	81,5	16,5	43,3	238	1110	953	477	
SFB-40-5-4-3+3-PS	S	40	5	3,969	37	3	71	63	78	93	9	14	10	70	81,5	23,6	66,3	238	1639	1409	705	
SFB-40-5-4-4+4-PS	S	40	5	3,969	37	4	81	63	78	93	9	14	10	70	81,5	30,4	89,9	238	2160	1860	930	
SFB-40-10-7-2+2-PS	S	40	10	7,144	34,6	2	94	63	78	93	9	14	20	70	81,5	34,6	61,2	219	1037	950	475	
SFB-40-10-7-3+3-PS	S	40	10	7,144	34,6	3	116	63	78	93	9	14	20	70	81,5	49,3	93	219	1529	1403	702	
SFB-40-10-7-4+4-PS	S	40	10	7,144	34,6	4	136	63	78	93	9	14	20	70	81,5	63,6	125,5	219	2016	1851	926	
SFB-50-5-4-2+2-PS	S	50	5	3,969	47	2	62	75	93	110	11	16	10	85	97,5	18	53,8	380	1315	1088	544	
SFB-50-5-4-3+3-PS	S	50	5	3,969	47	3	73	75	93	110	11	16	10	85	97,5	25,7	82,2	380	1940	1610	805	
SFB-50-5-4-4+4-PS	S	50	5	3,969	47	4	83	75	93	110	11	16	10	85	97,5	33,1	111,6	380	2557	2126	1063	
SFB-50-10-7-2+2-PS	S	50	10	7,144	44,6	2	96	75	93	110	11	16	20	85	97,5	40,6	84,1	355	1343	1195	598	
SFB-50-10-7-3+3-PS	S	50	10	7,144	44,6	3	118	75	93	110	11	16	20	85	97,5	57,9	127,7	355	1981	1766	883	
SFB-50-10-7-4+4-PS	S	50	10	7,144	44,6	4	138	75	93	110	11	16	20	85	97,5	74,6	172,4	355	2611	2330	1165	
SFB-50-10-7-5+5-PS	S	50	10	7,144	44,6	5	159	75	93	110	11	16	20	85	97,5	90,8	218	355	3235	2890	1445	
SFB-63-5-4-2+2-PS	S	63	5	3,969	60	2	64	90	108	125	11	18	10	95	110	20,1	70,1	614	1623	1270	635	
SFB-63-5-4-3+3-PS	S	63	5	3,969	60	3	75	90	108	125	11	18	10	95	110	28,7	107,2	614	2395	1881	941	
SFB-63-5-4-4+4-PS	S	63	5	3,969	60	4	85	90	108	125	11	18	10	95	110	37	145,4	614	3157	2485	1243	
SFB-63-5-4-5+5-PS	S	63	5	3,969	60	5	95	90	108	125	11	18	10	95	110	45	184,7	614	3911	3084	1542	
SFB-63-10-7-2+2-PS	S	63	10	7,144	57,6	2	98	90	108	125	11	18	20	95	110	46,3	111,7	582	1687	1447	724	
SFB-63-10-7-3+3-PS	S	63	10	7,144	57,6	3	120	90	108	125	11	18	20	95	110	66	169,7	582	2488	2139	1070	
SFB-63-10-7-4+4-PS	S	63	10	7,144	57,6	4	140	90	108	125	11	18	20	95	110	84,9	229	582	3277	2822	1411	
SFB-63-10-7-5+5-PS	S	63	10	7,144	57,6	5	161	90	108	125	11	18	20	95	110	103,4	289,5	582	4061	3501	1751	
SFB-80-10-7-2+2-PS	S	80	10	7,144	74,6	2	100	105	125	145	13,5	20	16	110	127,5	51,4	144,2	962	2061	1640	820	
SFB-80-10-7-3+3-PS	S	80	10	7,144	74,6	3	122	105	125	145	13,5	20	16	110	127,5	73,3	218,9	962	3040	2427	1214	
SFB-80-10-7-4+4-PS	S	80	10	7,144	74,6	4	142	105	125	145	13,5	20	16	110	127,5	94,3	295,4	962	4005	3204	1602	
SFB-80-10-7-5+5-PS	S	80	10	7,144	74,6	5	163	105	125	145	13,5	20	16	110	127,5	114,7	373,4	962	4960	3976	1988	

IPIRANGA
PABS
SINGLE NUT
Start Deviation Preload



Reference	Recirculation	Nominal diameter	Lead	Ball diameter	Root diameter	Circuits	Dimensions										Loads and rigidity					
							Ln	D1	D4	D6	D5	L7	L1	L8	L9	Cam	Coam	Rsm	Rbt	Rnu	Rnu.ar	
SINGLE NUT Ref	S/U/B Tipo	do mm	Ph mm	Dw mm	d3 mm	i units	Ln mm	D1 mm	D4 mm	D6 mm	D5 mm	L7 mm	L1 mm	L8 mm	L9 mm	Cam KN	Coam KN	Rsm N/μm	Rbt N/μm	Rnu N/μm	Rnu.ar N/μm	
SFB-40-40-6-2-SD	U	40	40	6,35	34,5	2	110	70	85	100	9	18	20	75	87,5	28,9	62,1	214	1070	1052	526	
SFB-40-40-6-3-SD	U	40	40	6,35	34,5	3	150	70	85	100	9	18	20	75	87,5	41,3	94,6	214	1579	1552	776	
SFB-40-40-8-2-SD	U	40	40	7,938	33,3	2	113	75	90	105	9	18	25	80	92,5	42,5	77,8	205	1131	1111	556	
SFB-40-40-8-3-SD	U	40	40	7,938	33,3	3	153	75	90	105	9	18	25	80	92,5	63,3	125,9	205	1766	1734	867	
SFB-50-40-6-2-SD	U	50	40	6,35	44,5	2	112	75	93	110	11	18	25	85	97,5	32,1	77,2	350	1293	1259	630	
SFB-50-40-6-3-SD	U	50	40	6,35	44,5	3	152	75	93	110	11	18	25	85	97,5	47,2	122,7	350	1981	1927	964	
SFB-50-40-6-4-SD	U	50	40	6,35	44,5	4	192	75	93	110	11	18	25	85	97,5	60,9	165,9	350	2613	2542	1271	
SFB-50-40-8-2-SD	U	50	40	7,938	43,3	2	116	85	103	120	11	18	25	95	107,5	48,8	101,3	338	1422	1388	694	
SFB-50-40-8-3-SD	U	50	40	7,938	43,3	3	156	85	103	120	11	18	25	95	107,5	69,5	153,7	338	2097	2047	1024	
SFB-50-40-8-4-SD	U	50	40	7,938	43,3	4	195	85	103	120	11	18	25	95	107,5	92,6	218,2	338	2892	2821	1411	
SFB-50-40-9-2-SD	U	50	40	9,525	42,2	2	117	90	108	125	11	20	25	95	110	62,1	120,4	327	1473	1438	719	
SFB-50-40-9-2-SD	B	50	40	9,525	42,2	2	119	85	105	125	13,5	20	25	95	110	62,1	120,4	327	1473	1434	717	
SFB-50-40-9-3-SD	U	50	40	9,525	42,2	3	157	90	108	125	11	20	25	95	110	88,5	182,5	327	2172	2121	1061	
SFB-50-40-9-3-SD	B	50	40	9,525	42,2	3	159	85	105	125	13,5	20	25	95	110	88,5	182,5	327	2172	2116	1058	
SFB-50-40-9-4-SD	U	50	40	9,525	42,2	4	197	90	108	125	11	20	25	95	110	114	245,8	327	2862	2795	1398	
SFB-63-40-6-2-SD	U	63	40	6,35	57,5	2	113	95	115	135	13,5	20	25	100	117,5	36,1	99,3	575	1598	1549	775	
SFB-63-40-6-3-SD	U	63	40	6,35	57,5	3	153	95	115	135	13,5	20	25	100	117,5	52,7	156,4	575	2429	2353	1177	
SFB-63-40-6-4-SD	U	63	40	6,35	57,5	4	193	95	115	135	13,5	20	25	100	117,5	67,9	211,4	575	3202	3103	1552	
SFB-63-40-6-5-SD	U	63	40	6,35	57,5	5	233	95	115	135	13,5	20	25	100	117,5	84,6	276,8	575	4086	3957	1979	
SFB-63-40-8-2-SD	U	63	40	7,938	56,3	2	115	95	115	135	13,5	20	25	100	117,5	53,4	125,2	560	1695	1637	819	
SFB-63-40-8-3-SD	U	63	40	7,938	56,3	3	155	95	115	135	13,5	20	25	100	117,5	78,3	198,3	560	2595	2503	1252	
SFB-63-40-8-4-SD	U	63	40	7,938	56,3	4	195	95	115	135	13,5	20	25	100	117,5	100,7	267,3	560	3419	3300	1650	
SFB-63-40-8-5-SD	U	63	40	7,938	56,3	5	235	95	115	135	13,5	20	25	100	117,5	125,9	351,7	560	4391	4233	2117	
SFB-63-40-9-2-SD	U	63	40	9,525	55,2	2	120	105	125	145	13,5	20	25	110	127,5	70	154	546	1810	1753	877	
SFB-63-40-9-2-SD	B	63	40	9,525	55,2	2	119	100	120	140	13,5	20	25	105	122,5	70	154	546	1810	1747	874	
SFB-63-40-9-3-SD	U	63	40	9,525	55,2	3	160	105	125	145	13,5	20	25	110	127,5	99,6	233,4	546	2667	2584	1292	
SFB-63-40-9-3-SD	B	63	40	9,525	55,2	3	159	100	120	140	13,5	20	25	105	122,5	99,6	233,4	546	2667	2576	1288	
SFB-63-40-9-4-SD	U	63	40	9,525	55,2	4	200	105	125	145	13,5	20	25	110	127,5	132,5	330	546	3671	3553	1777	
SFB-63-40-9-4-SD	B	63	40	9,525	55,2	4	199	100	120	140	13,5	20	25	105	122,5	132,5	330	546	3671	3542	1771	
SFB-63-40-9-5-SD	U	63	40	9,525	55,2	5	240	105	125	145	13,5	20	25	110	127,5	161,2	416,5	546	4547	4403	2202	
SFB-63-40-9-5-SD	B	63	40	9,525	55,2	5	239	100	120	140	13,5	20	25	105	122,5	161,2	416,5	546	4547	4388	2194	
SFB-80-40-8-2-SD	U	80	40	7,938	73,3	2	119	125	145	165	13,5	25	25	130	147,5	60,7	165,9	934	2137	2055	1028	
SFB-80-40-8-3-SD	U	80	40	7,938	73,3	3	159	125	145	165	13,5	25	25	130	147,5	86,4	251,7	934	3149	3031	1516	
SFB-80-40-8-4-SD	U	80	40	7,938	73,3	4	199	125	145	165	13,5	25	25	130	147,5	113,6	350,5	934	4271	4108	2054	
SFB-80-40-8-5-SD	U	80	40	7,938	73,3	5	239	125	145	165	13,5	25	25	130	147,5	138,1	442,8	934	5290	5089	2545	
SFB-80-40-9-2-SD	U	80	40	9,525	72,2	2	123	125	145	165	13,5	25	25	130	147,5	77,6	195,8	916	2199	2109	1055	
SFB-80-40-9-2-SD	B	80	40	9,525	72,2	2	119	120	140	160	13,5	25	25	125	142,5	79,7	203,7	916	2278	2173	1087	
SFB-80-40-9-3-SD	U	80	40	9,525	72,2	3	163	125	145	165	13,5	25	25	130	147,5	113,5	308,6	916	3358	3218	1609	
SFB-80-40-9-3-SD	B	80	40	9,525	72,2	3	159	120	140	160	13,5	25	25	125	142,5	113,5	308,6	916	3358	3218	1609	
SFB-80-40-9-4-SD	U	80	40	9,525	72,2	4	203	125	145	165	13,5	25	25	130	147,5	146	415,6	916	4423	4241	2121	
SFB-80-40-9-4-SD	B	80	40	9,525	72,2	4	199	120	140	160	13,5	25	25	125	142,5	146	415,6	916	4423	4224	2112	
SFB-80-40-9-5-SD	U	80	40	9,525	72,2	5	243	125	145	165	13,5	25	25	130	147,5	177,6	524,4	916	5479	5256	2628	
SFB-80-40-9-5-SD	B	80	40	9,525	72,2	5	239	120	140	160	13,5	25	25	125	142,5	177,6	524,4	916	5479	5235	2618	

IPIRANGA HLBS HIGH LOADS

LIGHTENING OUR CUSTOMERS' HEAVY DUTY

Ipiranga HLBS High Loads Ball Screws meet highest dynamics for heavy load ratings.

Ipiranga HLBS outstand by load capacities. Made to order with the optimum ball sizes and number of circuits to ensure heavy load ratings.



Highest dynamics applied to heavy load requirements.
Improved workload and speed results.

FEATURES & BENEFITS

PRODUCT RANGE

- From 32mm to 160mm diameters
- From 10mm to 30mm leads
- Lengths up to 20 meters
- IT3, IT5

MANUFACTURING PROCESSES AVAILABLE

- According to DIN 69051 and ISO 3408 standards
- ISO 9001 and ISO 14001 certified
- Ground

PRODUCT FAMILIES

- HLBS SINGLE NUT HIGH LOAD



FRAMEWORK

- Multiple working conditions
- Protect
- Temp
- Low noise

INNOVATION

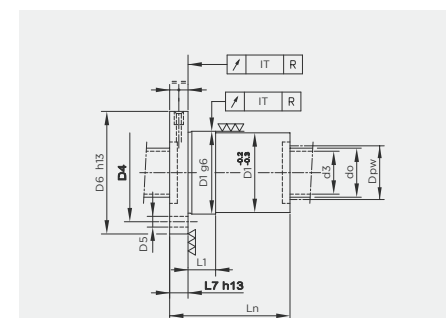
- Tailored engineering
- Custom manufacturing
- Design eco

TECHNOLOGY

- Loads



NUT CONFIGURATIONS



HIGH LOAD SINGLE NUT

High load single nut are characterized by their load capacity, based on the number of circuits and the size of the balls.

EXTRA PERFORMANCE & EQUIPMENT ALWAYS AT HAND

ROTATING

When the **operational speeds and lengths** of the ball screw does not allow high Rpm, the Rotary Nuts of Ipiranga satisfy the feed rates making the nut turning and getting the screw static.

COOLING

When a heating is produced in the ball screw assembly, the accuracy and the life time of the ball screws are affected due to the deformations. Keeping an **equilibrate temperature** of the ball screw assembly we reduce such risks.

SAFETY

Safety requirements are becoming more important, implementing Ipiranga embedded or integrated Safety nuts guarantee the load will be transferred from the ball nut to the safety nut in the event of failure of the system.

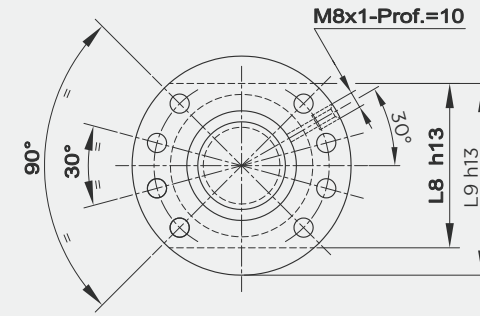
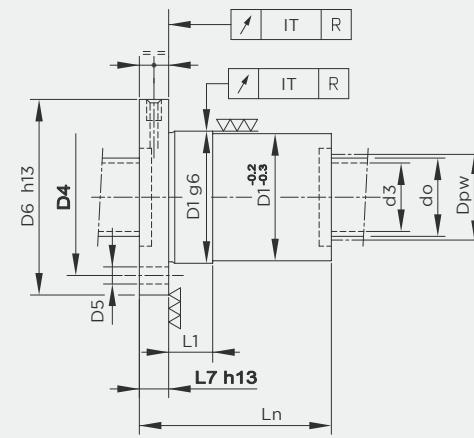
WIPER CONFIGURATION

- PTFE/Polyamide wiper
- Plough wiper
- Encapsulated felt wiper
- Triple wiper

MATERIALS & COATINGS

- Magnesium Phosphate
- Armoloy
- Stainless steel
- Ceramic balls

IPIRANGA
HLBS
SINGLE NUT
High Load



Reference	Recirculation	Nominal diameter	Lead	Ball diameter	Root diameter	Circuits	Dimensions							Dimensions				Loads and rigidity					
							Ln	D1	D4	D6	D5	L7	L1	L8	L9	Cam	Coam	Rsm	Rbt	Rnu	Rnu.ar		
SINGLE NUT Ref	S/U/B Tipo	do mm	Ph mm	Dw mm	d3 mm	i units	Ln mm	D1 mm	D4 mm	D6 mm	D5 mm	L7 mm	L1 mm	L8 mm	L9 mm	Cam KN	Coam KN	Rsm N/μm	Rbt N/μm	Rnu N/μm	Rnu.ar N/μm		
IHL-32-20-8-3	U	32	20	7,938	25,3	3	96	63	78	93	9	16	20	70	81,5	58,8	103,4	123	934	899	450		
IHL-32-20-8-4	U	32	20	7,938	25,3	4	116	63	78	93	9	16	20	70	81,5	75,9	139,6	123	1232	1186	593		
IHL-32-20-8-5	U	32	20	7,938	25,3	5	122	63	78	93	9	16	20	70	81,5	92,6	176,4	123	1528	1472	736		
IHL-40-10-8-3	B	40	10	7,938	33,3	3	70	70	85	100	9	14	20	75	87,5	66,9	131,3	205	1149	1037	519		
IHL-40-10-8-4	B	40	10	7,938	33,3	4	72	70	85	100	9	14	20	75	87,5	86,2	177,1	205	1514	1368	684		
IHL-40-10-8-5	B	40	10	7,938	33,3	5	90	70	85	100	9	14	20	75	87,5	105	223,8	205	1876	1696	848		
IHL-40-10-8-6	B	40	10	7,938	33,3	6	100	70	85	100	9	14	20	75	87,5	123,5	271,4	205	2237	2024	1012		
IHL-40-10-8-7	B	40	10	7,938	33,3	7	110	70	85	100	9	14	20	75	87,5	141,6	320	205	2594	2348	1174		
IHL-40-10-8-8	B	40	10	7,938	33,3	8	120	70	85	100	9	14	20	75	87,5	158,9	365,7	205	2947	2669	1335		
IHL-40-20-8-3	U	40	20	7,938	33,3	3	97	70	85	100	9	18	25	75	87,5	66,1	130,2	205	1128	1071	536		
IHL-40-20-8-4	U	40	20	7,938	33,3	4	117	70	85	100	9	18	25	75	87,5	85,2	175,5	205	1487	1413	707		
IHL-40-20-8-5	U	40	20	7,938	33,3	5	137	70	85	100	9	18	25	75	87,5	103,8	221,9	205	1842	1751	876		
IHL-40-20-8-6	U	40	20	7,938	33,3	6	157	70	85	100	9	18	25	75	87,5	122,1	269,1	205	2196	2088	1044		
IHL-40-25-8-2	U	40	25	7,938	33,3	2	87	70	85	100	9	18	25	75	87,5	44	79,9	205	712	685	343		
IHL-40-25-8-3	U	40	25	7,938	33,3	3	112	70	85	100	9	18	25	75	87,5	65,6	129,3	205	1113	1069	535		
IHL-40-25-8-4	U	40	25	7,938	33,3	4	137	70	85	100	9	18	25	75	87,5	84,5	174,4	205	1467	1409	705		
IHL-40-25-8-5	U	40	25	7,938	33,3	5	162	70	85	100	9	18	25	75	87,5	102,9	220,4	205	1817	1746	873		
IHL-40-30-8-3	U	40	30	7,938	33,3	3	125	75	90	105	9	18	25	80	92,5	64,9	128,3	205	1095	1063	532		
IHL-40-30-8-4	U	40	30	7,938	33,3	4	155	75	90	105	9	18	25	80	92,5	83,6	173,1	205	1443	1401	701		
IHL-50-10-8-3	B	50	10	7,938	51,5	3	70	82	100	118	11	16	25	92	105	72,1	158	338	1323	1169	585		
IHL-50-10-8-4	B	50	10	7,938	51,5	4	72	82	100	118	11	16	25	92	105	96	224,3	338	1825	1605	803		
IHL-50-10-8-5	B	50	10	7,938	51,5	5	90	82	100	118	11	16	25	92	105	116,9	283,4	338	2261	1991	996		
IHL-50-10-8-6	B	50	10	7,938	51,5	6	100	82	100	118	11	16	25	92	105	137,4	343,7	338	2695	2375	1188		
IHL-50-10-8-7	B	50	10	7,938	51,5	7	110	82	100	118	11	16	25	92	105	157,5	405	338	3125	2756	1378		
IHL-50-10-8-8	B	50	10	7,938	51,5	8	120	82	100	118	11	16	25	92	105	176,7	462,9	338	3550	3132	1566		
IHL-50-16-8-3	U	50	16	7,938	51,5	3	88	82	100	118	11	16	25	92	105	71,8	157,6	338	1315	1215	608		
IHL-50-16-8-4	U	50	16	7,938	51,5	4	104	82	100	118	11	16	25	92	105	95,7	223,7	338	1814	1672	836		
IHL-50-16-8-5	U	50	16	7,938	51,5	5	120	82	100	118	11	16	25	92	105	116,5	282,6	338	2248	2073	1037		
IHL-50-16-8-6	U	50	16	7,938	51,5	6	136	82	100	118	11	16	25	92	105	136,8	342,7	338	2678	2471	1236		
IHL-50-16-8-7	U	50	16	7,938	51,5	7	152	82	100	118	11	16	25	92	105	156,9	403,8	338	3106	2867	1434		
IHL-50-16-8-8	U	50	16	7,938	51,5	8	168	82	100	118	11	16	25	92	105	176	461,5	338	3528	3258	1629		
IHL-50-16-9-2	B	50	16	9,525	52	2	71	85	105	125	13,5	20	25	95	110	64,1	123,3	327	923	851	426		
IHL-50-16-9-3	B	50	16	9,525	52	3	87	85	105	125	13,5	20	25	95	110	91,4	187	327	1361	1256	628		
IHL-50-16-9-4	B	50	16	9,525	52	4	103	85	105	125	13,5	20	25	95	110	122,5	267,6	327	1892	1740	870		
IHL-50-16-9-5	B	50	16	9,525	52	5	119	85	105	125	13,5	20	25	95	110	149,2	337,8	327	2345	2158	1079		
IHL-50-16-9-6	B	50	16	9,525	52	6	135	85	105	125	13,5	20	25	95	110	175,3	409,3	327	2794	2572	1286		

IPIRANGA
HLBS
SINGLE NUT
High Load

Reference	Recirculation	Nominal diameter	Lead	Ball diameter	Root diameter	Circuits	Dimensions					Dimensions					Loads and rigidity				
							Ln	D1	D4	D6	D5	L7	L1	L8	L9	Cam KN	Coam KN	Rsm N/μm	Rbt N/μm	Rnu N/μm	Rnu.ar N/μm
SINGLE NUT Ref	S/U/B Tipo	do mm	Ph mm	Dw mm	d3 mm	i units	Ln mm	D1 mm	D4 mm	D6 mm	D5 mm	L7 mm	L1 mm	L8 mm	L9 mm	Cam KN	Coam KN	Rsm N/μm	Rbt N/μm	Rnu N/μm	Rnu.ar N/μm
IHL-50-16-9-7	B	50	16	9,525	52	7	159	85	105	125	13,5	20	25	95	110	201,1	482	327	3242	2986	1493
IHL-50-16-9-8	B	50	16	9,525	52	8	175	85	105	125	13,5	20	25	95	110	225,6	550,8	327	3682	3392	1696
IHL-50-16-9-9	B	50	16	9,525	52	9	187	85	105	125	13,5	20	25	95	110	249,6	619,7	327	4119	3797	1899
IHL-50-20-8-3	U	50	20	7,938	51,5	3	99	82	100	118	11	18	25	92	105	71,5	157,2	338	1307	1227	614
IHL-50-20-8-4	U	50	20	7,938	51,5	4	119	82	100	118	11	18	25	92	105	95,3	223	338	1803	1689	845
IHL-50-20-8-5	U	50	20	7,938	51,5	5	139	82	100	118	11	18	25	92	105	116	281,8	338	2234	2094	1047
IHL-50-20-8-6	U	50	20	7,938	51,5	6	159	82	100	118	11	18	25	92	105	136,4	341,7	338	2663	2497	1249
IHL-50-20-8-7	U	50	20	7,938	51,5	7	179	82	100	118	11	18	25	92	105	156,3	402,7	338	3088	2896	1448
IHL-50-20-9-2	B	50	20	9,525	52	2	79	85	105	125	13,5	20	25	95	110	63,9	123	327	918	860	430
IHL-50-20-9-3	B	50	20	9,525	52	3	99	85	105	125	13,5	20	25	95	110	91	186,5	327	1353	1269	635
IHL-50-20-9-4	B	50	20	9,525	52	4	119	85	105	125	13,5	20	25	95	110	122,1	266,9	327	1882	1759	880
IHL-50-20-9-5	B	50	20	9,525	52	5	139	85	105	125	13,5	20	25	95	110	148,6	336,9	327	2332	2181	1091
IHL-50-20-9-6	B	50	20	9,525	52	6	159	85	105	125	13,5	20	25	95	110	174,7	408,2	327	2779	2601	1301
IHL-50-20-9-7	B	50	20	9,525	52	7	184	85	105	125	13,5	20	25	95	110	200,4	480,7	327	3224	3018	1509
IHL-50-25-8-2	U	50	25	7,938	51,5	2	87	82	100	118	11	18	25	92	105	49,9	103,1	338	879	835	418
IHL-50-25-8-3	U	50	25	7,938	51,5	3	112	82	100	118	11	18	25	92	105	71,2	156,5	338	1296	1232	616
IHL-50-25-8-4	U	50	25	7,938	51,5	4	137	82	100	118	11	18	25	92	105	94,8	222,1	338	1788	1697	849
IHL-50-25-8-5	U	50	25	7,938	51,5	5	162	82	100	118	11	18	25	92	105	115,4	280,6	338	2215	2103	1052
IHL-50-25-8-6	U	50	25	7,938	51,5	6	187	82	100	118	11	18	25	92	105	135,6	340,3	338	2639	2507	1254
IHL-50-25-9-2	U	50	25	9,525	52	2	93	90	108	125	11	20	25	95	110	63,5	122,5	327	910	868	434
IHL-50-25-9-2	B	50	25	9,525	52	2	89	85	105	125	13,5	20	25	95	110	63,5	122,5	327	910	864	432
IHL-50-25-9-3	U	50	25	9,525	52	3	118	90	108	125	11	20	25	95	110	90,6	185,7	327	1342	1281	641
IHL-50-25-9-3	B	50	25	9,525	52	3	114	85	105	125	13,5	20	25	95	110	90,6	185,7	327	1342	1275	638
IHL-50-25-9-4	U	50	25	9,525	52	4	143	90	108	125	11	20	25	95	110	116,6	250,1	327	1768	1688	844
IHL-50-25-9-4	B	50	25	9,525	52	4	139	85	105	125	13,5	20	25	95	110	121,4	265,8	327	1866	1768	884
IHL-50-25-9-5	U	50	25	9,525	52	5	168	90	108	125	11	20	25	95	110	147,8	335,5	327	2311	2202	1101
IHL-50-25-9-5	B	50	25	9,525	52	5	164	85	105	125	13,5	20	25	95	110	147,8	335,5	327	2311	2191	1096
IHL-50-25-9-6	U	50	25	9,525	52	6	193	90	108	125	11	20	25	95	110	173,8	406,5	327	2755	2626	1313
IHL-50-25-9-6	B	50	25	9,525	52	6	189	85	105	125	13,5	20	25	95	110	173,8	406,5	327	2755	2613	1307
IHL-50-30-8-3	U	50	30	7,938	51,5	3	126	82	100	118	11	18	25	92	105	70,7	155,7	338	1282	1230	615
IHL-50-30-8-4	U	50	30	7,938	51,5	4	156	82	100	118	11	18	25	92	105	94,2	221	338	1769	1694	847
IHL-50-30-8-5	U	50	30	7,938	51,5	5	186	82	100	118	11	18	25	92	105	114,6	279,2	338	2191	2099	1050
IHL-63-16-9-3	B	63	16	9,525	55,2	3	87	100	120	140	13,5	20	25	105	122,5	101,7	237,1	546	1642	1481	741
IHL-63-16-9-4	B	63	16	9,525	55,2	4	103	100	120	140	13,5	20	25	105	122,5	135,2	335,2	546	2259	2031	1016
IHL-63-16-9-5	B	63	16	9,525	55,2	5	119	100	120	140	13,5	20	25	105	122,5	164,5	423,1	546	2798	2517	1259
IHL-63-16-9-6	B	63	16	9,525	55,2	6	143	100	120	140	13,5	20	25	105	122,5	193,3	512,6	546	3334	3001	1501
IHL-63-16-9-7	B	63	16	9,525	55,2	7	159	100	120	140	13,5	20	25	105	122,5	221,6	603,5	546	3867	3483	1742
IHL-63-16-9-8	B	63	16	9,525	55,2	8	175	100	120	140	13,5	20	25	105	122,5	248,5	689,7	546	4392	3958	1979
IHL-63-16-9-9	B	63	16	9,525	55,2	9	191	100	120	140	13,5	20	25	105	122,5	275	775,9	546	4913	4430	2215
IHL-63-16-9-10	B	63	16	9,525	55,2	10	207	100	120	140	13,5	20	25	105	122,5	301,1	862,1	546	5433	4902	2451
IHL-63-16-9-11	B	63	16	9,525	55,2	11	231	100	120	140	13,5	20	25	105	122,5	326,8	948,3	546	5949	5370	2685
IHL-63-16-9-12	B	63	16	9,525	55,2	12	247	100	120	140	13,5	20	25	105	122,5	352,2	1034,5	546	6464	5837	2919

HLBS

IPIRANGA
HLBS
SINGLE NUT
High Load

Reference	Recirculation	Nominal diameter	Lead	Ball diameter	Root diameter	Circuits	Dimensions					Dimensions					Loads and rigidity					
							Ln	D1	D4	D6	D5	L7	L1	L8	L9	Cam	Coam	Rsm	Rbt	Rnu	Rnu.ar	
SINGLE NUT Ref	S/U/B Tipo	do mm	Ph mm	Dw mm	d3 mm	i units	mm	mm	mm	mm	mm	mm	mm	mm	mm	KN	KN	N/μm	N/μm	N/μm	N/μm	
IHL-63-16-9-13	B	63	16	9,525	55,2	13	263	100	120		140	13,5	20	25	105	122,5	377,3	1120,7	546	6976	6301	3151
IHL-63-16-9-14	B	63	16	9,525	55,2	14	274	100	120		140	13,5	20	25	105	122,5	402,1	1206,9	546	7487	6765	3383
IHL-63-16-12-2	B	63	16	12,7	54	2	75	110	130		150	13,5	25	25	115	132,5	109	221,3	536	1220	1096	548
IHL-63-16-12-3	B	63	16	12,7	54	3	91	110	130		150	13,5	25	25	115	132,5	155,2	334,5	536	1798	1618	809
IHL-63-16-12-4	B	63	16	12,7	54	4	107	110	130		150	13,5	25	25	115	132,5	199,5	449,5	536	2369	2135	1068
IHL-63-16-12-5	B	63	16	12,7	54	5	123	110	130		150	13,5	25	25	115	132,5	242,7	566,1	536	2934	2646	1323
IHL-63-16-12-6	B	63	16	12,7	54	6	139	110	130		150	13,5	25	25	115	132,5	285	684,3	536	3495	3154	1577
IHL-63-16-12-7	B	63	16	12,7	54	7	163	110	130		150	13,5	25	25	115	132,5	326,5	804,1	536	4053	3660	1830
IHL-63-16-12-8	B	63	16	12,7	54	8	179	110	130		150	13,5	25	25	115	132,5	366,3	918,9	536	4604	4160	2080
IHL-63-16-12-9	B	63	16	12,7	54	9	195	110	130		150	13,5	25	25	115	132,5	405,3	1033,8	536	5151	4656	2328
IHL-63-16-12-10	B	63	16	12,7	54	10	211	110	130		150	13,5	25	25	115	132,5	443,8	1148,7	536	5695	5151	2576
IHL-63-16-12-11	B	63	16	12,7	54	11	227	110	130		150	13,5	25	25	115	132,5	481,7	1263,5	536	6237	5643	2822
IHL-63-16-12-12	B	63	16	12,7	54	12	243	110	130		150	13,5	25	25	115	132,5	519,1	1378,4	536	6776	6133	3067
IHL-63-16-12-13	B	63	16	12,7	54	13	267	110	130		150	13,5	25	25	115	132,5	556,1	1493,3	536	7313	6622	3311
IHL-63-16-12-14	B	63	16	12,7	54	14	275	110	130		150	13,5	25	25	115	132,5	592,7	1608,1	536	7848	7108	3554
IHL-63-20-12-8	B	63	20	12,7	54	8	213	110	130		150	13,5	25	25	115	132,5	365,5	917,4	536	4588	4228	2114
IHL-63-20-12-9	B	63	20	12,7	54	9	233	110	130		150	13,5	25	25	115	132,5	404,5	1032,1	536	5133	4732	2366
IHL-63-20-12-10	B	63	20	12,7	54	10	253	110	130		150	13,5	25	25	115	132,5	442,8	1146,8	536	5675	5234	2617
IHL-63-20-12-11	B	63	20	12,7	54	11	268	110	130		150	13,5	25	25	115	132,5	480,6	1261,5	536	6215	5734	2867
IHL-63-20-12-12	B	63	20	12,7	54	12	293	110	130		150	13,5	25	25	115	132,5	518	1376,2	536	6753	6232	3116
IHL-63-20-12-13	B	63	20	12,7	54	13	323	110	130		150	13,5	25	25	115	132,5	554,9	1490,9	536	7288	6728	3364
IHL-63-20-12-14	B	63	20	12,7	54	14	343	110	130		150	13,5	25	25	115	132,5	591,4	1605,5	536	7822	7223	3612
IHL-63-20-12-15	B	63	20	12,7	54	15	361	110	130		150	13,5	25	25	115	132,5	627,6	1720,2	536	8354	7716	3858
IHL-63-20-15-8	B	63	20	15,875	50	8	209	120	140		160	13,5	30	25	125	142,5	496,3	1361,5	477	4879	4513	2257
IHL-63-20-15-9	B	63	20	15,875	50	9	239	120	140		160	13,5	30	25	125	142,5	549,2	1531,7	477	5458	5051	2526
IHL-63-20-15-10	B	63	20	15,875	50	10	259	120	140		160	13,5	30	25	125	142,5	601,2	1701,9	477	6035	5587	2794
IHL-63-20-15-11	B	63	20	15,875	50	11	274	120	140		160	13,5	30	25	125	142,5	652,6	1872	477	6609	6120	3060
IHL-63-20-15-12	B	63	20	15,875	50	12	299	120	140		160	13,5	30	25	125	142,5	703,3	2042,2	477	7180	6651	3326
IHL-63-20-15-13	B	63	20	15,875	50	13	319	120	140		160	13,5	30	25	125	142,5	753,4	2212,4	477	7750	7181	3591
IHL-63-20-15-14	B	63	20	15,875	50	14	339	120	140		160	13,5	30	25	125	142,5	803	2382,6	477	8317	7708	3854
IHL-63-20-15-15	B	63	20	15,875	50	15	357	120	140		160	13,5	30	25	125	142,5	852,1	2552,8	477	8882	8233	4117
IHL-63-25-15-3	B	63	25	15,875	50	3	124	120	140		160	13,5	30	25	125	142,5	208,7	494,8	477	1893	1774	887
IHL-63-25-15-4	B	63	25	15,875	50	4	149	120	140		160	13,5	30	25	125	142,5	268,6	664,6	477	2494	2339	1170
IHL-63-25-15-5	B	63	25	15,875	50	5	174	120	140		160	13,5	30	25	125	142,5	327,1	836,8	477	3091	2901	1451
IHL-63-25-15-6	B	63	25	15,875	50	6	199	120	140		160	13,5	30	25	125	142,5	384,4	1011,4	477	3683	3457	1729
IHL-63-25-15-7	B	63	25	15,875	50	7	224	120	140		160	13,5	30	25	125	142,5	440,9	1188,2	477	4272	4012	2006
IHL-63-25-15-8	B	63	25	15,875	50	8	249	120	140		160	13,5	30	25	125	142,5	494,6	1358	477	4852	4558	2279
IHL-63-25-15-9	B	63	25	15,875	50	9	287	120	140		160	13,5	30	25	125	142,5	547,3	1527,7	477	5429	5102	2551
IHL-63-25-15-10	B	63	25	15,875	50	10	312	120	140		160	13,5	30	25	125	142,5	599,2	1697,5	477	6002	5642	2821
IHL-63-25-15-11	B	63	25	15,875	50	11	337	120	140		160	13,5	30	25	125	142,5	650,4	1867,2	477	6573	6180	3090
IHL-63-25-15-12	B	63	25	15,875	50	12	360	120	140		160	13,5	30	25	125	142,5	701	2037	477	7142	6717	3359
IHL-63-30-15-3	B	63	30	15,875	50	3	139	120	140		160	13,5	30	25	125	142,5	207,9	493,2	477	1881	1782	891

HLBS

IPIRANGA
HLBS
SINGLE NUT
High Load

Reference	Recirculation	Nominal diameter	Lead	Ball diameter	Root diameter	Circuits	Dimensions					Dimensions					Loads and rigidity				
							Ln	D1	D4	D6	D5	L7	L1	L8	L9	Cam KN	Coam KN	Rsm N/μm	Rbt N/μm	Rnu N/μm	Rnu.ar N/μm
SINGLE NUT Ref	S/U/B Tipo	do mm	Ph mm	Dw mm	d3 mm	i units	Ln mm	D1 mm	D4 mm	D6 mm	D5 mm	L7 mm	L1 mm	L8 mm	L9 mm	Cam KN	Coam KN	Rsm N/μm	Rbt N/μm	Rnu N/μm	Rnu.ar N/μm
IHL-63-30-15-4	B	63	30	15,875	50	4	169	120	140	160	13,5	30	25	125	142,5	267,6	662,5	477	2478	2349	1175
IHL-63-30-15-5	B	63	30	15,875	50	5	199	120	140	160	13,5	30	25	125	142,5	325,7	834,2	477	3070	2912	1456
IHL-63-30-15-6	B	63	30	15,875	50	6	229	120	140	160	13,5	30	25	125	142,5	382,9	1008,2	477	3659	3472	1736
IHL-63-30-15-7	B	63	30	15,875	50	7	259	120	140	160	13,5	30	25	125	142,5	439,2	1184,5	477	4245	4029	2015
IHL-63-30-15-8	B	63	30	15,875	50	8	304	120	140	160	13,5	30	25	125	142,5	492,6	1353,8	477	4821	4577	2289
IHL-63-30-15-9	B	63	30	15,875	50	9	334	120	140	160	13,5	30	25	125	142,5	545,1	1523	477	5393	5121	2561
IHL-63-30-15-10	B	63	30	15,875	50	10	362	120	140	160	13,5	30	25	125	142,5	596,8	1692,2	477	5963	5664	2832
IHL-70-16-12-2	B	70	16	12,7	61	2	75	120	140	160	13,5	25	25	125	142,5	111,6	236,7	676	1282	1146	573
IHL-70-16-12-3	B	70	16	12,7	61	3	91	120	140	160	13,5	25	25	125	142,5	158,8	357,8	676	1889	1692	846
IHL-70-16-12-4	B	70	16	12,7	61	4	107	120	140	160	13,5	25	25	125	142,5	212,1	509	676	2618	2335	1168
IHL-70-16-12-5	B	70	16	12,7	61	5	123	120	140	160	13,5	25	25	125	142,5	258	641	676	3242	2894	1447
IHL-70-16-12-6	B	70	16	12,7	61	6	139	120	140	160	13,5	25	25	125	142,5	302,8	774,8	676	3862	3450	1725
IHL-70-16-12-7	B	70	16	12,7	61	7	163	120	140	160	13,5	25	25	125	142,5	346,9	910,4	676	4478	4003	2002
IHL-70-16-12-8	B	70	16	12,7	61	8	179	120	140	160	13,5	25	25	125	142,5	389,1	1040,4	676	5086	4549	2275
IHL-70-16-12-9	B	70	16	12,7	61	9	195	120	140	160	13,5	25	25	125	142,5	430,6	1170,5	676	5691	5093	2547
IHL-70-16-12-10	B	70	16	12,7	61	10	211	120	140	160	13,5	25	25	125	142,5	471,4	1300,5	676	6292	5634	2817
IHL-70-16-12-11	B	70	16	12,7	61	11	227	120	140	160	13,5	25	25	125	142,5	511,7	1430,6	676	6890	6172	3086
IHL-70-16-12-12	B	70	16	12,7	61	12	243	120	140	160	13,5	25	25	125	142,5	551,4	1560,6	676	7486	6709	3355
IHL-70-16-12-13	B	70	16	12,7	61	13	267	120	140	160	13,5	25	25	125	142,5	590,7	1690,7	676	8080	7244	3622
IHL-70-16-12-14	B	70	16	12,7	61	14	275	120	140	160	13,5	25	25	125	142,5	629,6	1820,7	676	8671	7777	3889
IHL-70-20-12-3	B	70	20	12,7	61	3	103	120	140	160	13,5	25	25	125	142,5	158,6	357,3	676	1884	1724	862
IHL-70-20-12-4	B	70	20	12,7	61	4	123	120	140	160	13,5	25	25	125	142,5	211,8	508,3	676	2611	2381	1191
IHL-70-20-12-5	B	70	20	12,7	61	5	143	120	140	160	13,5	25	25	125	142,5	257,5	640,1	676	3233	2950	1475
IHL-70-20-12-6	B	70	20	12,7	61	6	163	120	140	160	13,5	25	25	125	142,5	302,3	773,8	676	3851	3516	1758
IHL-70-20-12-7	B	70	20	12,7	61	7	193	120	140	160	13,5	25	25	125	142,5	346,3	909,1	676	4466	4080	2040
IHL-70-20-12-8	B	70	20	12,7	61	8	213	120	140	160	13,5	25	25	125	142,5	388,4	1039	676	5072	4636	2318
IHL-70-20-12-9	B	70	20	12,7	61	9	233	120	140	160	13,5	25	25	125	142,5	429,8	1168,9	676	5675	5189	2595
IHL-70-20-12-10	B	70	20	12,7	61	10	253	120	140	160	13,5	25	25	125	142,5	470,6	1298,8	676	6274	5739	2870
IHL-70-20-12-11	B	70	20	12,7	61	11	268	120	140	160	13,5	25	25	125	142,5	510,8	1428,7	676	6871	6288	3144
IHL-80-16-9-3	B	80	16	9,525	72,2	3	87	120	140	160	13,5	25	25	125	142,5	115	311,7	916	2041	1783	892
IHL-80-16-9-4	B	80	16	9,525	72,2	4	103	120	140	160	13,5	25	25	125	142,5	147,9	419,7	916	2689	2352	1176
IHL-80-16-9-5	B	80	16	9,525	72,2	5	127	120	140	160	13,5	25	25	125	142,5	179,9	529,7	916	3331	2917	1459
IHL-80-16-9-6	B	80	16	9,525	72,2	6	143	120	140	160	13,5	25	25	125	142,5	211,2	641,5	916	3968	3478	1739
IHL-80-16-9-7	B	80	16	9,525	72,2	7	159	120	140	160	13,5	25	25	125	142,5	242	755,2	916	4601	4035	2018
IHL-80-16-9-8	B	80	16	9,525	72,2	8	175	120	140	160	13,5	25	25	125	142,5	271,4	863,1	916	5226	4587	2294
IHL-80-16-9-9	B	80	16	9,525	72,2	9	199	120	140	160	13,5	25	25	125	142,5	300,4	970,9	916	5847	5135	2568
IHL-80-16-9-10	B	80	16	9,525	72,2	10	215	120	140	160	13,5	25	25	125	142,5	328,9	1078,8	916	6465	5681	2841
IHL-80-16-9-11	B	80	16	9,525	72,2	11	231	120	140	160	13,5	25	25	125	142,5	356,9	1186,7	916	7079	6224	3112
IHL-80-16-9-12	B	80	16	9,525	72,2	12	247	120	140	160	13,5	25	25	125	142,5	384,7	1294,6	916	7692	6766	3383
IHL-80-16-9-13	B	80	16	9,525	72,2	13	271	120	140	160	13,5	25	25	125	142,5	412,1	1402,5	916	8301	7305	3653
IHL-80-16-9-14	B	80	16	9,525	72,2	14	287	120	140	160	13,5	25	25	125	142,5	439,2	1510,3	916	8909	7844	3922
IHL-80-16-9-15	B	80	16	9,525	72,2	15	303	120	140	160	13,5	25	25	125	142,5	466,1	1618,2	916	9515	8380	4190

HLBS

IPIRANGA
HLBS
SINGLE NUT
High Load

Reference	Recirculation	Nominal diameter	Lead	Ball diameter	Root diameter	Circuits	Dimensions					Dimensions					Loads and rigidity				
							Ln	D1	D4	D6	D5	L7	L1	L8	L9	Cam KN	Coam KN	Rsm N/μm	Rbt N/μm	Rnu N/μm	Rnu.ar N/μm
SINGLE NUT Ref	S/U/B Tipo	do mm	Ph mm	Dw mm	d3 mm	i units	Ln mm	D1 mm	D4 mm	D6 mm	D5 mm	L7 mm	L1 mm	L8 mm	L9 mm	Cam KN	Coam KN	Rsm N/μm	Rbt N/μm	Rnu N/μm	Rnu.ar N/μm
IHL-80-16-9-16	B	80	16	9,525	72,2	16	319	120	140	160	13,5	25	25	125	142,5	492,7	1726,1	916	10119	8916	4458
IHL-80-16-12-2	B	80	16	12,7	71	2	75	130	150	170	13,5	30	25	135	152,5	121,4	280,6	903	1471	1284	642
IHL-80-16-12-3	B	80	16	12,7	71	3	91	130	150	170	13,5	30	25	135	152,5	172,7	424,1	903	2167	1896	948
IHL-80-16-12-4	B	80	16	12,7	71	4	107	130	150	170	13,5	30	25	135	152,5	221,9	569,8	903	2854	2500	1250
IHL-80-16-12-5	B	80	16	12,7	71	5	123	130	150	170	13,5	30	25	135	152,5	269,8	717,4	903	3534	3100	1550
IHL-80-16-12-6	B	80	16	12,7	71	6	147	130	150	170	13,5	30	25	135	152,5	316,6	867,1	903	4210	3696	1848
IHL-80-16-12-7	B	80	16	12,7	71	7	163	130	150	170	13,5	30	25	135	152,5	362,6	1018,7	903	4881	4288	2144
IHL-80-16-12-8	B	80	16	12,7	71	8	179	130	150	170	13,5	30	25	135	152,5	406,7	1164,3	903	5543	4873	2437
IHL-80-16-12-9	B	80	16	12,7	71	9	195	130	150	170	13,5	30	25	135	152,5	450,1	1309,8	903	6202	5456	2728
IHL-80-16-12-10	B	80	16	12,7	71	10	211	130	150	170	13,5	30	25	135	152,5	492,8	1455,3	903	6858	6037	3019
IHL-80-16-12-11	B	80	16	12,7	71	11	235	130	150	170	13,5	30	25	135	152,5	534,9	1600,8	903	7510	6614	3307
IHL-80-16-12-12	B	80	16	12,7	71	12	251	130	150	170	13,5	30	25	135	152,5	576,4	1746,4	903	8159	7189	3595
IHL-80-16-12-13	B	80	16	12,7	71	13	267	130	150	170	13,5	30	25	135	152,5	617,5	1891,9	903	8806	7762	3881
IHL-80-16-12-14	B	80	16	12,7	71	14	283	130	150	170	13,5	30	25	135	152,5	658,2	2037,4	903	9451	8334	4167
IHL-80-16-12-15	B	80	16	12,7	71	15	299	130	150	170	13,5	30	25	135	152,5	698,4	2183	903	10093	8904	4452
IHL-80-16-12-16	B	80	16	12,7	71	16	323	130	150	170	13,5	30	25	135	152,5	738,3	2328,5	903	10734	9473	4737
IHL-80-20-12-3	U	80	20	12,7	71	3	118	135	155	175	13,5	25	25	140	157,5	172,4	423,7	903	2162	1955	978
IHL-80-20-12-4	U	80	20	12,7	71	4	138	135	155	175	13,5	25	25	140	157,5	221,6	569,2	903	2848	2578	1289
IHL-80-20-12-5	U	80	20	12,7	71	5	158	135	155	175	13,5	25	25	140	157,5	269,4	716,7	903	3527	3196	1598
IHL-80-20-12-6	U	80	20	12,7	71	6	178	135	155	175	13,5	25	25	140	157,5	316,2	866,2	903	4201	3809	1905
IHL-80-20-12-7	U	80	20	12,7	71	7	198	135	155	175	13,5	25	25	140	157,5	362,1	1017,7	903	4870	4418	2209
IHL-80-20-12-8	U	80	20	12,7	71	8	218	135	155	175	13,5	25	25	140	157,5	406,2	1163,1	903	5532	5022	2511
IHL-80-20-12-8	B	80	20	12,7	71	8	213	130	150	170	13,5	30	25	135	152,5	406,2	1163,1	903	5532	4985	2493
IHL-80-20-12-9	U	80	20	12,7	71	9	238	135	155	175	13,5	25	25	140	157,5	449,5	1308,4	903	6189	5621	2811
IHL-80-20-12-9	B	80	20	12,7	71	9	233	130	150	170	13,5	30	25	135	152,5	449,5	1308,4	903	6189	5580	2790
IHL-80-20-12-10	U	80	20	12,7	71	10	258	135	155	175	13,5	25	25	140	157,5	492,1	1453,8	903	6843	6218	3109
IHL-80-20-12-10	B	80	20	12,7	71	10	253	130	150	170	13,5	30	25	135	152,5	492,1	1453,8	903	6843	6173	3087
IHL-80-20-12-11	B	80	20	12,7	71	11	283	130	150	170	13,5	30	25	135	152,5	534,2	1599,2	903	7494	6763	3382
IHL-80-20-12-12	B	80	20	12,7	71	12	303	130	150	170	13,5	30	25	135	152,5	575,7	1744,6	903	8142	7350	3675
IHL-80-20-12-13	B	80	20	12,7	71	13	323	130	150	170	13,5	30	25	135	152,5	616,7	1890	903	8787	7935	3968
IHL-80-20-12-14	B	80	20	12,7	71	14	343	130	150	170	13,5	30	25	135	152,5	657,3	2035,3	903	9431	8520	4260
IHL-80-20-12-15	B	80	20	12,7	71	15	361	130	150	170	13,5	30	25	135	152,5	697,5	2180,7	903	10072	9102	4551
IHL-80-20-15-2	B	80	20	15,875	67	2	89	140	166	192	17,5	30	25	145	168,5	165,6	411,9	826	1548	1395	698
IHL-80-20-15-3	B	80	20	15,875	67	3	109	140	166	192	17,5	30	25	145	168,5	235,8	622,5	826	2282	2059	1030
IHL-80-20-15-4	B	80	20	15,875	67	4	129	140	166	192	17,5	30	25	145	168,5	303,3	836	826	3006	2716	1358
IHL-80-20-15-5	B	80	20	15,875	67	5	149	140	166	192	17,5	30	25	145	168,5	369	1052,5	826	3723	3367	1684
IHL-80-20-15-6	B	80	20	15,875	67	6	169	140	166	192	17,5	30	25	145	168,5	433,4	1271,7	826	4436	4014	2007
IHL-80-20-15-7	B	80	20	15,875	67	7	199	140	166	192	17,5	30	25	145	168,5	496,8	1493,8	826	5145	4658	2329
IHL-80-20-15-8	B	80	20	15,875	67	8	219	140	166	192	17,5	30	25	145	168,5	557,2	1707,2	826	5843	5293	2647
IHL-80-20-15-9	B	80	20	15,875	67	9	239	140	166	192	17,5	30	25	145	168,5	616,6	1920,6	826	6537	5925	2963
IHL-80-20-15-10	B	80	20	15,875	67	10	259	140	166	192	17,5	30	25	145	168,5	675,1	2134	826	7228	6554	3277
IHL-80-20-15-11	B	80	20	15,875	67	11	279	140	166	192	17,5	30	25	145	168,5	732,8	2347,4	826	7916	7181	3591

HLBS

IPIRANGA
HLBS
SINGLE NUT
High Load

Reference	Recirculation	Nominal diameter	Lead	Ball diameter	Root diameter	Circuits	Dimensions					Dimensions					Loads and rigidity				
							Ln	D1	D4	D6	D5	L7	L1	L8	L9	Cam KN	Coam KN	Rsm N/μm	Rbt N/μm	Rnu N/μm	Rnu.ar N/μm
SINGLE NUT Ref	S/U/B Tipo	do mm	Ph mm	Dw mm	d3 mm	i units	Ln mm	D1 mm	D4 mm	D6 mm	D5 mm	L7 mm	L1 mm	L8 mm	L9 mm	Cam KN	Coam KN	Rsm N/μm	Rbt N/μm	Rnu N/μm	Rnu.ar N/μm
IHL-80-20-15-12	B	80	20	15,875	67	12	299	140	166	192	175	30	25	145	168,5	789,7	2560,8	826	8600	7804	3902
IHL-80-20-15-13	B	80	20	15,875	67	13	329	140	166	192	175	30	25	145	168,5	846	2774,2	826	9282	8426	4213
IHL-80-20-15-14	B	80	20	15,875	67	14	349	140	166	192	175	30	25	145	168,5	901,6	2987,6	826	9961	9045	4523
IHL-80-20-15-15	B	80	20	15,875	67	15	361	140	166	192	175	30	25	145	168,5	956,8	3201	826	10639	9663	4832
IHL-80-20-15-16	B	80	20	15,875	67	16	387	140	166	192	175	30	25	145	168,5	1011,4	3414,4	826	11314	10279	5140
IHL-80-25-15-3	B	80	25	15,875	67	3	124	140	166	192	175	30	25	145	168,5	235,3	621,5	826	2274	2094	1047
IHL-80-25-15-4	B	80	25	15,875	67	4	149	140	166	192	175	30	25	145	168,5	302,6	834,7	826	2995	2760	1380
IHL-80-25-15-5	B	80	25	15,875	67	5	174	140	166	192	175	30	25	145	168,5	368,2	1050,7	826	3710	3421	1711
IHL-80-25-15-6	B	80	25	15,875	67	6	199	140	166	192	175	30	25	145	168,5	432,5	1269,7	826	4421	4079	2040
IHL-80-25-15-7	B	80	25	15,875	67	7	237	140	166	192	175	30	25	145	168,5	495,7	1491,4	826	5127	4733	2367
IHL-80-25-15-8	B	80	25	15,875	67	8	262	140	166	192	175	30	25	145	168,5	556	1704,4	826	5823	5378	2689
IHL-80-25-15-9	B	80	25	15,875	67	9	287	140	166	192	175	30	25	145	168,5	615,3	1917,5	826	6515	6019	3010
IHL-80-25-15-10	B	80	25	15,875	67	10	312	140	166	192	175	30	25	145	168,5	673,7	2130,5	826	7204	6658	3329
IHL-80-25-15-11	B	80	25	15,875	67	11	337	140	166	192	175	30	25	145	168,5	731,2	2343,6	826	7889	7294	3647
IHL-80-25-15-12	B	80	25	15,875	67	12	360	140	166	192	175	30	25	145	168,5	788	2556,6	826	8571	7926	3963
IHL-80-25-15-13	B	80	25	15,875	67	13	397	140	166	192	175	30	25	145	168,5	844,2	2769,7	826	9250	8557	4279
IHL-80-25-15-14	B	80	25	15,875	67	14	422	140	166	192	175	30	25	145	168,5	899,7	2982,7	826	9927	9185	4593
IHL-80-25-15-15	B	80	25	15,875	67	15	447	140	166	192	175	30	25	145	168,5	954,7	3195,8	826	10602	9812	4906
IHL-80-25-15-16	B	80	25	15,875	67	16	472	140	166	192	175	30	25	145	168,5	1009,2	3408,8	826	11275	10438	5219
IHL-80-25-19-2	B	80	25	19,05	64,1	2	105	150	176	202	175	30	40	155	178,5	202,7	472,1	774	1524	1410	705
IHL-80-25-19-3	B	80	25	19,05	64,1	3	130	150	176	202	175	30	40	155	178,5	288,6	712,7	774	2247	2081	1041
IHL-80-25-19-4	B	80	25	19,05	64,1	4	155	150	176	202	175	30	40	155	178,5	371,1	956,2	774	2960	2744	1372
IHL-80-25-19-5	B	80	25	19,05	64,1	5	180	150	176	202	175	30	40	155	178,5	451,4	1202,6	774	3666	3401	1701
IHL-80-25-19-6	B	80	25	19,05	64,1	6	205	150	176	202	175	30	40	155	178,5	557	1563,5	774	4665	4308	2154
IHL-80-25-19-7	B	80	25	19,05	64,1	7	230	150	176	202	175	30	40	155	178,5	607,6	1703,9	774	5065	4703	2352
IHL-80-25-19-8	B	80	25	19,05	64,1	8	255	150	176	202	175	30	40	155	178,5	716,1	2097,1	774	6145	5680	2840
IHL-80-25-19-9	B	80	25	19,05	64,1	9	293	150	176	202	175	30	40	155	178,5	754,2	2190,7	774	6437	5981	2991
IHL-80-25-19-10	B	80	25	19,05	64,1	10	318	150	176	202	175	30	40	155	178,5	825,7	2434,1	774	7117	6616	3308
IHL-80-25-19-11	B	80	25	19,05	64,1	11	343	150	176	202	175	30	40	155	178,5	896,3	2677,5	774	7794	7247	3624
IHL-80-25-19-12	B	80	25	19,05	64,1	12	360	150	176	202	175	30	40	155	178,5	1014,8	3145,6	774	9044	8372	4186
IHL-80-25-19-13	B	80	25	19,05	64,1	13	391	150	176	202	175	30	40	155	178,5	1087,1	3407,7	774	9761	9038	4519
IHL-80-25-19-14	B	80	25	19,05	64,1	14	416	150	176	202	175	30	40	155	178,5	1158,7	3669,9	774	10476	9702	4851
IHL-80-25-19-15	B	80	25	19,05	64,1	15	441	150	176	202	175	30	40	155	178,5	1229,5	3932	774	11188	10364	5182
IHL-80-25-19-16	B	80	25	19,05	64,1	16	466	150	176	202	175	30	40	155	178,5	1299,7	4194,1	774	11898	11025	5513
IHL-80-30-15-3	B	80	30	15,875	67	3	139	140	166	192	175	30	25	145	168,5	234,7	620,3	826	2264	2113	1057
IHL-80-30-15-4	B	80	30	15,875	67	4	169	140	166	192	175	30	25	145	168,5	301,9	833	826	2983	2786	1393
IHL-80-30-15-5	B	80	30	15,875	67	5	199	140	166	192	175	30	25	145	168,5	367,3	1048,6	826	3695	3453	1727
IHL-80-30-15-6	B	80	30	15,875	67	6	229	140	166	192	175	30	25	145	168,5	431,3	1267,1	826	4402	4116	2058
IHL-80-30-15-7	B	80	30	15,875	67	7	274	140	166	192	175	30	25	145	168,5	494,4	1488,4	826	5106	4776	2388
IHL-80-30-15-8	B	80	30	15,875	67	8	304	140	166	192	175	30	25	145	168,5	554,6	1701	826	5799	5426	2713
IHL-80-30-15-9	B	80	30	15,875	67	9	334	140	166	192	175	30	25	145	168,5	613,7	1913,6	826	6488	6073	3037
IHL-80-30-15-10	B	80	30	15,875	67	10	362	140	166	192	175	30	25	145	168,5	671,9	2126,3	826	7173	6716	3358

HLBS

IPIRANGA
HLBS
SINGLE NUT
High Load

Reference	Recirculation	Nominal diameter	Lead	Ball diameter	Root diameter	Circuits	Dimensions					Dimensions					Loads and rigidity				
							Ln	D1	D4	D6	D5	L7	L1	L8	L9	Cam KN	Coam KN	Rsm N/μm	Rbt N/μm	Rnu N/μm	Rnu.ar N/μm
SINGLE NUT Ref	S/U/B Tipo	do mm	Ph mm	Dw mm	d3 mm	i units	Ln mm	D1 mm	D4 mm	D6 mm	D5 mm	L7 mm	L1 mm	L8 mm	L9 mm	Cam KN	Coam KN	Rsm N/μm	Rbt N/μm	Rnu N/μm	Rnu.ar N/μm
IHL-80-30-15-11	B	80	30	15,875	67	11	392	140	166	192	175	30	25	145	168,5	729,3	2338,9	826	7856	7358	3679
IHL-80-30-15-12	B	80	30	15,875	67	12	422	140	166	192	175	30	25	145	168,5	786	2551,5	826	8535	7996	3998
IHL-80-30-15-13	B	80	30	15,875	67	13	467	140	166	192	175	30	25	145	168,5	842	2764,2	826	9212	8632	4316
IHL-80-30-19-3	B	80	30	19,05	64,1	3	145	150	176	202	175	30	40	155	178,5	287,8	711,3	774	2237	2099	1050
IHL-80-30-19-4	B	80	30	19,05	64,1	4	175	150	176	202	175	30	40	155	178,5	370,1	954,3	774	2947	2766	1383
IHL-80-30-19-5	B	80	30	19,05	64,1	5	205	150	176	202	175	30	40	155	178,5	450,2	1200,2	774	3651	3429	1715
IHL-80-30-19-6	B	80	30	19,05	64,1	6	235	150	176	202	175	30	40	155	178,5	555,5	1560,4	774	4646	4347	2174
IHL-80-30-19-7	B	80	30	19,05	64,1	7	265	150	176	202	175	30	40	155	178,5	606	1700,5	774	5044	4741	2371
IHL-80-30-19-8	B	80	30	19,05	64,1	8	310	150	176	202	175	30	40	155	178,5	679,8	1943,4	774	5729	5387	2694
IHL-80-30-19-9	B	80	30	19,05	64,1	9	340	150	176	202	175	30	40	155	178,5	752,3	2186,4	774	6410	6029	3015
IHL-80-30-19-10	B	80	30	19,05	64,1	10	368	150	176	202	175	30	40	155	178,5	823,6	2429,3	774	7087	6668	3334
IHL-80-30-19-11	B	80	30	19,05	64,1	11	398	150	176	202	175	30	40	155	178,5	894	2672,2	774	7761	7304	3652
IHL-80-30-19-12	B	80	30	19,05	64,1	12	428	150	176	202	175	30	40	155	178,5	1012,2	3139,4	774	9007	8444	4222
IHL-80-30-19-13	B	80	30	19,05	64,1	13	458	150	176	202	175	30	40	155	178,5	1084,3	3401	774	9721	9116	4558
IHL-80-30-19-14	B	80	30	19,05	64,1	14	488	150	176	202	175	30	40	155	178,5	1155,7	3662,6	774	10432	9785	4893
IHL-100-16-12-2	B	100	16	12,7	91	2	75	155	181	207	175	30	25	160	183,5	130,7	340,2	1458	1704	1450	725
IHL-100-16-12-3	B	100	16	12,7	91	3	91	155	181	207	175	30	25	160	183,5	191	535,7	1458	2604	2209	1105
IHL-100-16-12-4	B	100	16	12,7	91	4	107	155	181	207	175	30	25	160	183,5	245,4	719,5	1458	3429	2914	1457
IHL-100-16-12-5	B	100	16	12,7	91	5	131	155	181	207	175	30	25	160	183,5	298,2	905,9	1458	4246	3613	1807
IHL-100-16-12-6	B	100	16	12,7	91	6	147	155	181	207	175	30	25	160	183,5	349,9	1094,7	1458	5057	4308	2154
IHL-100-16-12-7	B	100	16	12,7	91	7	163	155	181	207	175	30	25	160	183,5	400,6	1286	1458	5863	4999	2500
IHL-100-16-12-8	B	100	16	12,7	91	8	179	155	181	207	175	30	25	160	183,5	449,3	1469,7	1458	6658	5682	2841
IHL-100-16-12-9	B	100	16	12,7	91	9	203	155	181	207	175	30	25	160	183,5	497,2	1653,5	1458	7449	6363	3182
IHL-100-16-12-10	B	100	16	12,7	91	10	219	155	181	207	175	30	25	160	183,5	544,4	1837,2	1458	8237	7041	3521
IHL-100-16-12-11	B	100	16	12,7	91	11	235	155	181	207	175	30	25	160	183,5	590,9	2020,9	1458	9020	7715	3858
IHL-100-16-12-12	B	100	16	12,7	91	12	251	155	181	207	175	30	25	160	183,5	636,8	2204,6	1458	9800	8387	4194
IHL-100-16-12-13	B	100	16	12,7	91	13	275	155	181	207	175	30	25	160	183,5	682,2	2388,3	1458	10577	9057	4529
IHL-100-16-12-14	B	100	16	12,7	91	14	291	155	181	207	175	30	25	160	183,5	727,1	2572	1458	11352	9725	4863
IHL-100-16-12-15	B	100	16	12,7	91	15	307	155	181	207	175	30	25	160	183,5	771,5	2755,8	1458	12123	10390	5195
IHL-100-16-12-16	B	100	16	12,7	91	16	323	155	181	207	175	30	25	160	183,5	815,6	2939,5	1458	12893	11055	5528
IHL-100-20-15-2	B	100	20	15,875	87	2	89	165	191	217	175	30	40	170	193,5	180	496,2	1359	1788	1578	789
IHL-100-20-15-3	B	100	20	15,875	87	3	109	165	191	217	175	30	40	170	193,5	256,1	749,7	1359	2635	2330	1165
IHL-100-20-15-4	B	100	20	15,875	87	4	129	165	191	217	175	30	40	170	193,5	340,7	1059,6	1359	3633	3200	1600
IHL-100-20-15-5	B	100	20	15,875	87	5	149	165	191	217	175	30	40	170	193,5	414,4	1333,8	1359	4500	3968	1984
IHL-100-20-15-6	B	100	20	15,875	87	6	179	165	191	217	175	30	40	170	193,5	486,4	1611,4	1359	5360	4730	2365
IHL-100-20-15-7	B	100	20	15,875	87	7	199	165	191	217	175	30	40	170	193,5	557,3	1892,5	1359	6216	5489	2745
IHL-100-20-15-8	B	100	20	15,875	87	8	219	165	191	217	175	30	40	170	193,5	625,1	2162,9	1359	7060	6239	3120
IHL-100-20-15-9	B	100	20	15,875	87	9	239	165	191	217	175	30	40	170	193,5	691,8	2433,2	1359	7899	6985	3493
IHL-100-20-15-10	B	100	20	15,875	87	10	259	165	191	217	175	30	40	170	193,5	757,4	2703,6	1359	8733	7726	3863
IHL-100-20-15-11	B	100	20	15,875	87	11	289	165	191	217	175	30	40	170	193,5	822,1	2973,9	1359	9564	8466	4233
IHL-100-20-15-12	B	100	20	15,875	87	12	309	165	191	217	175	30	40	170	193,5	885,9	3244,3	1359	10391	9202	4601
IHL-100-20-15-13	B	100	20	15,875	87	13	329	165	191	217	175	30	40	170	193,5	949,1	3514,7	1359	11215	9936	4968

HLBS

IPIRANGA
HLBS
SINGLE NUT
High Load

Reference	Recirculation	Nominal diameter	Lead	Ball diameter	Root diameter	Circuits	Dimensions					Dimensions					Loads and rigidity				
							Ln	D1	D4	D6	D5	L7	L1	L8	L9	Cam KN	Coam KN	Rsm N/μm	Rbt N/μm	Rnu N/μm	Rnu.ar N/μm
SINGLE NUT Ref	S/U/B Tipo	do mm	Ph mm	Dw mm	d3 mm	i units	Ln mm	D1 mm	D4 mm	D6 mm	D5 mm	L7 mm	L1 mm	L8 mm	L9 mm	Cam KN	Coam KN	Rsm N/μm	Rbt N/μm	Rnu N/μm	Rnu.ar N/μm
IHL-100-20-15-14	B	100	20	15,875	87	14	349	165	191	217	175	30	40	170	193,5	1011,5	3785	1359	12036	10668	5334
IHL-100-20-15-15	B	100	20	15,875	87	15	367	165	191	217	175	30	40	170	193,5	1073,4	4055,4	1359	12854	11397	5699
IHL-100-20-15-16	B	100	20	15,875	87	16	397	165	191	217	175	30	40	170	193,5	1134,6	4325,7	1359	13670	12125	6063
IHL-100-25-19-2	B	100	25	19,05	84,1	2	105	175	201	227	175	30	40	180	203,5	228,2	591,5	1292	1827	1658	829
IHL-100-25-19-3	B	100	25	19,05	84,1	3	130	175	201	227	175	30	40	180	203,5	324,6	892,8	1292	2692	2447	1224
IHL-100-25-19-4	B	100	25	19,05	84,1	4	155	175	201	227	175	30	40	180	203,5	434,4	1272,5	1292	3742	3388	1694
IHL-100-25-19-5	B	100	25	19,05	84,1	5	180	175	201	227	175	30	40	180	203,5	528,2	1600,2	1292	4634	4199	2100
IHL-100-25-19-6	B	100	25	19,05	84,1	6	205	175	201	227	175	30	40	180	203,5	619,9	1931,5	1292	5520	5005	2503
IHL-100-25-19-7	B	100	25	19,05	84,1	7	243	175	201	227	175	30	40	180	203,5	710,2	2266,4	1292	6401	5807	2904
IHL-100-25-19-8	B	100	25	19,05	84,1	8	268	175	201	227	175	30	40	180	203,5	796,6	2590,2	1292	7270	6599	3300
IHL-100-25-19-9	B	100	25	19,05	84,1	9	293	175	201	227	175	30	40	180	203,5	881,5	2914	1292	8133	7386	3693
IHL-100-25-19-10	B	100	25	19,05	84,1	10	318	175	201	227	175	30	40	180	203,5	965,1	3237,7	1292	8993	8171	4086
IHL-100-25-19-11	B	100	25	19,05	84,1	11	343	175	201	227	175	30	40	180	203,5	1047,6	3561,5	1292	9848	8951	4476
IHL-100-25-19-12	B	100	25	19,05	84,1	12	366	175	201	227	175	30	40	180	203,5	1129	3885,3	1292	10700	9729	4865
IHL-100-25-19-13	B	100	25	19,05	84,1	13	403	175	201	227	175	30	40	180	203,5	1209,4	4209,1	1292	11548	10504	5252
IHL-100-25-19-14	B	100	25	19,05	84,1	14	428	175	201	227	175	30	40	180	203,5	1289	4532,8	1292	12393	11276	5638
IHL-100-25-19-15	B	100	25	19,05	84,1	15	453	175	201	227	175	30	40	180	203,5	1367,8	4856,6	1292	13236	12046	6023
IHL-100-25-19-16	B	100	25	19,05	84,1	16	478	175	201	227	175	30	40	180	203,5	1445,9	5180,4	1292	14076	12814	6407
IHL-100-30-19-3	B	100	30	19,05	84,1	3	145	175	201	227	175	30	40	180	203,5	324	891,7	1292	2684	2478	1239
IHL-100-30-19-4	B	100	30	19,05	84,1	4	175	175	201	227	175	30	40	180	203,5	433,7	1270,9	1292	3732	3434	1717
IHL-100-30-19-5	B	100	30	19,05	84,1	5	205	175	201	227	175	30	40	180	203,5	527,3	1598,1	1292	4621	4255	2128
IHL-100-30-19-6	B	100	30	19,05	84,1	6	235	175	201	227	175	30	40	180	203,5	618,9	1929	1292	5505	5071	2536
IHL-100-30-19-7	B	100	30	19,05	84,1	7	280	175	201	227	175	30	40	180	203,5	709	2263,5	1292	6383	5883	2942
IHL-100-30-19-8	B	100	30	19,05	84,1	8	310	175	201	227	175	30	40	180	203,5	795,3	2586,9	1292	7250	6685	3343
IHL-100-30-19-9	B	100	30	19,05	84,1	9	340	175	201	227	175	30	40	180	203,5	880,1	2910,2	1292	8112	7483	3742
IHL-100-30-19-10	B	100	30	19,05	84,1	10	368	175	201	227	175	30	40	180	203,5	963,5	3233,6	1292	8968	8276	4138
IHL-100-30-19-11	B	100	30	19,05	84,1	11	398	175	201	227	175	30	40	180	203,5	1045,8	3556,9	1292	9821	9066	4533
IHL-100-30-19-12	B	100	30	19,05	84,1	12	428	175	201	227	175	30	40	180	203,5	1127,1	3880,3	1292	10671	9854	4927
IHL-100-30-19-13	B	100	30	19,05	84,1	13	473	175	201	227	175	30	40	180	203,5	1207,4	4203,6	1292	11517	10638	5319
IHL-120-20-15-2	B	120	20	15,875	107	2	89	185	211	237	175	30	40	190	213,5	197,8	606,2	2023	2098	1790	895
IHL-120-20-15-3	B	120	20	15,875	107	3	109	185	211	237	175	30	40	190	213,5	281,4	915,9	2023	3092	2645	1323
IHL-120-20-15-4	B	120	20	15,875	107	4	129	185	211	237	175	30	40	190	213,5	372,1	1283,2	2023	4230	3605	1803
IHL-120-20-15-5	B	120	20	15,875	107	5	149	185	211	237	175	30	40	190	213,5	452,4	1615	2023	5238	4470	2235
IHL-120-20-15-6	B	120	20	15,875	107	6	179	185	211	237	175	30	40	190	213,5	530,9	1950,9	2023	6239	5329	2665
IHL-120-20-15-7	B	120	20	15,875	107	7	199	185	211	237	175	30	40	190	213,5	608,1	2291,1	2023	7235	6186	3093
IHL-120-20-15-8	B	120	20	15,875	107	8	219	185	211	237	175	30	40	190	213,5	682,1	2618,4	2023	8217	7032	3516
IHL-120-20-15-9	B	120	20	15,875	107	9	239	185	211	237	175	30	40	190	213,5	754,8	2945,6	2023	9193	7873	3937
IHL-120-20-15-10	B	120	20	15,875	107	10	259	185	211	237	175	30	40	190	213,5	826,4	3272,9	2023	10164	8711	4356
IHL-120-20-15-11	B	120	20	15,875	107	11	289	185	211	237	175	30	40	190	213,5	897	3600,2	2023	11131	9545	4773
IHL-120-20-15-12	B	120	20	15,875	107	12	309	185	211	237	175	30	40	190	213,5	966,7	3927,5	2023	12094	10377	5189
IHL-120-20-15-13	B	120	20	15,875	107	13	329	185	211	237	175	30	40	190	213,5	1035,5	4254,8	2023	13052	11205	5603
IHL-120-20-15-14	B	120	20	15,875	107	14	349	185	211	237	175	30	40	190	213,5	1103,7	4582,1	2023	14008	12032	6016

HLBS

IPIRANGA
HLBS
SINGLE NUT
High Load

Reference	Recirculation	Nominal diameter	Lead	Ball diameter	Root diameter	Circuits	Dimensions					Dimensions					Loads and rigidity				
							Ln	D1	D4	D6	D5	L7	L1	L8	L9	Cam KN	Coam KN	Rsm N/μm	Rbt N/μm	Rnu N/μm	Rnu.ar N/μm
SINGLE NUT Ref	S/U/B Tipo	do mm	Ph mm	Dw mm	d3 mm	i units	Ln mm	D1 mm	D4 mm	D6 mm	D5 mm	L7 mm	L1 mm	L8 mm	L9 mm	Cam KN	Coam KN	Rsm N/μm	Rbt N/μm	Rnu N/μm	Rnu.ar N/μm
IHL-120-20-15-15	B	120	20	15,875	107	15	367	185	211	237	175	30	40	190	213,5	1171,2	4909,4	2023	14961	12856	6428
IHL-120-20-15-16	B	120	20	15,875	107	16	397	185	211	237	175	30	40	190	213,5	1238	5236,7	2023	15910	13677	6839
IHL-125-16-9-3	B	125	16	9,525	117,2	3	87	165	191	217	175	30	25	170	193,5	136,7	486,7	2356	2888	2271	1136
IHL-125-16-9-4	B	125	16	9,525	117,2	4	111	165	191	217	175	30	25	170	193,5	175,8	655,1	2356	3804	2999	1500
IHL-125-16-9-5	B	125	16	9,525	117,2	5	127	165	191	217	175	30	25	170	193,5	213,7	826,6	2356	4711	3721	1861
IHL-125-16-9-6	B	125	16	9,525	117,2	6	143	165	191	217	175	30	25	170	193,5	250,8	1000,9	2356	5611	4439	2220
IHL-125-16-9-7	B	125	16	9,525	117,2	7	167	165	191	217	175	30	25	170	193,5	287,3	1177,9	2356	6506	5154	2577
IHL-125-16-9-8	B	125	16	9,525	117,2	8	183	165	191	217	175	30	25	170	193,5	322,2	1346,2	2356	7389	5861	2931
IHL-125-16-9-9	B	125	16	9,525	117,2	9	199	165	191	217	175	30	25	170	193,5	356,6	1514,5	2356	8268	6565	3283
IHL-125-16-9-10	B	125	16	9,525	117,2	10	223	165	191	217	175	30	25	170	193,5	390,4	1682,7	2356	9141	7266	3633
IHL-125-16-9-11	B	125	16	9,525	117,2	11	239	165	191	217	175	30	25	170	193,5	423,8	1851	2356	10011	7965	3983
IHL-125-16-9-12	B	125	16	9,525	117,2	12	255	165	191	217	175	30	25	170	193,5	464,3	2069,8	2356	11118	8813	4407
IHL-125-16-9-13	B	125	16	9,525	117,2	13	279	165	191	217	175	30	25	170	193,5	489,2	2187,6	2356	11738	9354	4677
IHL-125-16-9-14	B	125	16	9,525	117,2	14	295	165	191	217	175	30	25	170	193,5	530,1	2414,7	2356	12878	10223	5112
IHL-125-16-9-15	B	125	16	9,525	117,2	15	311	165	191	217	175	30	25	170	193,5	562,5	2587,2	2356	13753	10925	5463
IHL-125-16-12-2	B	125	16	12,7	116	2	75	180	206	232	175	30	25	185	208,5	143,8	428,8	2336	2043	1648	824
IHL-125-16-12-3	B	125	16	12,7	116	3	91	180	206	232	175	30	25	185	208,5	204,4	648,1	2336	3010	2437	1219
IHL-125-16-12-4	B	125	16	12,7	116	4	107	180	206	232	175	30	25	185	208,5	268,4	899,4	2336	4081	3293	1647
IHL-125-16-12-5	B	125	16	12,7	116	5	131	180	206	232	175	30	25	185	208,5	326,1	1132,3	2336	5053	4085	2043
IHL-125-16-12-6	B	125	16	12,7	116	6	147	180	206	232	175	30	25	185	208,5	382,4	1368,3	2336	6017	4871	2436
IHL-125-16-12-7	B	125	16	12,7	116	7	163	180	206	232	175	30	25	185	208,5	437,8	1607,2	2336	6976	5654	2827
IHL-125-16-12-8	B	125	16	12,7	116	8	179	180	206	232	175	30	25	185	208,5	491	1836,7	2336	7922	6428	3214
IHL-125-16-12-9	B	125	16	12,7	116	9	203	180	206	232	175	30	25	185	208,5	543,4	2066,3	2336	8864	7200	3600
IHL-125-16-12-10	B	125	16	12,7	116	10	219	180	206	232	175	30	25	185	208,5	594,9	2295,9	2336	9800	7968	3984
IHL-125-16-12-11	B	125	16	12,7	116	11	235	180	206	232	175	30	25	185	208,5	645,7	2525,5	2336	10732	8733	4367
IHL-125-16-12-12	B	125	16	12,7	116	12	251	180	206	232	175	30	25	185	208,5	695,9	2755,1	2336	11661	9496	4748
IHL-125-16-12-13	B	125	16	12,7	116	13	275	180	206	232	175	30	25	185	208,5	745,5	2984,7	2336	12585	10255	5128
IHL-125-16-12-14	B	125	16	12,7	116	14	291	180	206	232	175	30	25	185	208,5	794,6	3214,3	2336	13507	11014	5507
IHL-125-16-12-15	B	125	16	12,7	116	15	307	180	206	232	175	30	25	185	208,5	843,1	3443,9	2336	14425	11769	5885
IHL-125-16-12-16	B	125	16	12,7	116	16	323	180	206	232	175	30	25	185	208,5	891,2	3673,5	2336	15340	12523	6262
IHL-125-20-12-3	U	125	20	12,7	116	3	120	175	201	227	175	30	25	180	203,5	204,3	647,8	2336	3007	2494	1247
IHL-125-20-12-4	U	125	20	12,7	116	4	140	175	201	227	175	30	25	180	203,5	268,2	899,1	2336	4077	3372	1686
IHL-125-20-12-5	U	125	20	12,7	116	5	160	175	201	227	175	30	25	180	203,5	325,9	1131,8	2336	5048	4182	2091
IHL-125-20-12-6	U	125	20	12,7	116	6	180	175	201	227	175	30	25	180	203,5	382,2	1367,7	2336	6012	4987	2494
IHL-125-20-12-6	B	125	20	12,7	116	6	203	180	206	232	175	30	25	185	208,5	382,2	1367,7	2336	6012	5060	2530
IHL-125-20-12-7	B	125	20	12,7	116	7	193	180	206	232	175	30	25	185	208,5	437,5	1606,4	2336	6969	5872	2936
IHL-125-20-12-8	B	125	20	12,7	116	8	213	180	206	232	175	30	25	185	208,5	490,8	1835,9	2336	7915	6675	3338
IHL-125-20-12-9	B	125	20	12,7	116	9	243	180	206	232	175	30	25	185	208,5	543,1	2065,4	2336	8856	7475	3738
IHL-125-20-12-10	B	125	20	12,7	116	10	263	180	206	232	175	30	25	185	208,5	594,6	2294,9	2336	9792	8272	4136
IHL-125-20-12-11	B	125	20	12,7	116	11	283	180	206	232	175	30	25	185	208,5	645,4	2524,4	2336	10723	9064	4532
IHL-125-20-12-12	B	125	20	12,7	116	12	303	180	206	232	175	30	25	185	208,5	695,5	2753,9	2336	11650	9854	4927
IHL-125-20-12-13	B	125	20	12,7	116	13	333	180	206	232	175	30	25	185	208,5	745,1	2983,4	2336	12574	10642	5321

HLBS

IPIRANGA
HLBS
SINGLE NUT
High Load

Reference	Recirculation	Nominal diameter	Lead	Ball diameter	Root diameter	Circuits	Dimensions					Dimensions					Loads and rigidity				
							Ln	D1	D4	D6	D5	L7	L1	L8	L9	Cam KN	Coam KN	Rsm N/μm	Rbt N/μm	Rnu N/μm	Rnu.ar N/μm
SINGLE NUT	S/U/B	do	Ph	Dw	d3	i	Ln	D1	D4	D6	D5	L7	L1	L8	L9	Cam	Coam	Rsm	Rbt	Rnu	Rnu.ar
Ref	Tipo	mm	mm	mm	mm	units	mm	mm	mm	mm	mm	mm	mm	mm	mm	KN	KN	N/μm	N/μm	N/μm	N/μm
IHL-125-20-12-14	B	125	20	12,7	116	14	353	180	206	232	175	30	25	185	208,5	794,1	3212,9	2336	13494	11427	5714
IHL-125-20-12-15	B	125	20	12,7	116	15	371	180	206	232	175	30	25	185	208,5	842,6	3442,4	2336	14411	12209	6105
IHL-125-20-12-16	B	125	20	12,7	116	16	391	180	206	232	175	30	25	185	208,5	890,7	3671,9	2336	15326	12990	6495
IHL-125-20-15-2	B	125	20	15,875	112	2	89	190	216	242	175	30	40	195	218,5	201,9	633,7	2210	2174	1839	920
IHL-125-20-15-3	B	125	20	15,875	112	3	109	190	216	242	175	30	40	195	218,5	287,2	957,4	2210	3204	2717	1359
IHL-125-20-15-4	B	125	20	15,875	112	4	129	190	216	242	175	30	40	195	218,5	379,2	1339	2210	4375	3696	1848
IHL-125-20-15-5	B	125	20	15,875	112	5	149	190	216	242	175	30	40	195	218,5	461	1685,2	2210	5418	4584	2292
IHL-125-20-15-6	B	125	20	15,875	112	6	179	190	216	242	175	30	40	195	218,5	541	2035,8	2210	6453	5466	2733
IHL-125-20-15-7	B	125	20	15,875	112	7	199	190	216	242	175	30	40	195	218,5	619,6	2390,7	2210	7482	6344	3172
IHL-125-20-15-8	B	125	20	15,875	112	8	219	190	216	242	175	30	40	195	218,5	695	2732,2	2210	8498	7212	3606
IHL-125-20-15-9	B	125	20	15,875	112	9	239	190	216	242	175	30	40	195	218,5	769,1	3073,7	2210	9508	8075	4038
IHL-125-20-15-10	B	125	20	15,875	112	10	259	190	216	242	175	30	40	195	218,5	842,1	3415,3	2210	10513	8936	4468
IHL-125-20-15-11	B	125	20	15,875	112	11	289	190	216	242	175	30	40	195	218,5	914	3756,8	2210	11512	9791	4896
IHL-125-20-15-12	B	125	20	15,875	112	12	309	190	216	242	175	30	40	195	218,5	985	4098,3	2210	12508	10645	5323
IHL-125-20-15-13	B	125	20	15,875	112	13	329	190	216	242	175	30	40	195	218,5	1055,2	4439,8	2210	13500	11495	5748
IHL-125-20-15-14	B	125	20	15,875	112	14	349	190	216	242	175	30	40	195	218,5	1124,7	4781,4	2210	14488	12343	6172
IHL-125-20-15-15	B	125	20	15,875	112	15	367	190	216	242	175	30	40	195	218,5	1193,4	5122,9	2210	15473	13188	6594
IHL-125-20-15-16	B	125	20	15,875	112	16	397	190	216	242	175	30	40	195	218,5	1261,5	5464,4	2210	16455	14031	7016
IHL-125-25-12-2	U	125	25	12,7	116	2	109	175	201	227	175	30	25	180	203,5	140,4	414,1	2336	1978	1702	851
IHL-125-25-12-3	U	125	25	12,7	116	3	134	175	201	227	175	30	25	180	203,5	204,1	647,4	2336	3003	2579	1290
IHL-125-25-12-4	U	125	25	12,7	116	4	159	175	201	227	175	30	25	180	203,5	268	898,4	2336	4071	3488	1744
IHL-125-25-12-5	U	125	25	12,7	116	5	184	175	201	227	175	30	25	180	203,5	325,6	1131,1	2336	5041	4325	2163
IHL-125-25-12-6	U	125	25	12,7	116	6	209	175	201	227	175	30	25	180	203,5	381,9	1366,7	2336	6003	5156	2578
IHL-125-25-12-6	B	125	25	12,7	116	6	206	180	206	232	175	30	25	185	208,5	381,9	1366,7	2336	6003	5219	2610
IHL-125-25-12-7	B	125	25	12,7	116	7	231	180	206	232	175	30	25	185	208,5	437,1	1605,4	2336	6959	6055	3028
IHL-125-25-12-8	B	125	25	12,7	116	8	256	180	206	232	175	30	25	185	208,5	490,3	1834,7	2336	7904	6883	3442
IHL-125-25-12-9	B	125	25	12,7	116	9	293	180	206	232	175	30	25	185	208,5	542,6	2064	2336	8843	7706	3853
IHL-125-25-12-10	B	125	25	12,7	116	10	318	180	206	232	175	30	25	185	208,5	594,1	2293,4	2336	9778	8526	4263
IHL-125-25-12-11	B	125	25	12,7	116	11	343	180	206	232	175	30	25	185	208,5	644,8	2522,7	2336	10707	9342	4671
IHL-125-25-12-12	B	125	25	12,7	116	12	366	180	206	232	175	30	25	185	208,5	694,9	2752	2336	11633	10155	5078
IHL-125-25-12-13	B	125	25	12,7	116	13	404	180	206	232	175	30	25	185	208,5	744,4	2981,4	2336	12556	10966	5483
IHL-125-25-12-14	B	125	25	12,7	116	14	429	180	206	232	175	30	25	185	208,5	793,4	3210,7	2336	13475	11773	5887
IHL-125-25-12-15	B	125	25	12,7	116	15	454	180	206	232	175	30	25	185	208,5	841,9	3440	2336	14391	12579	6290
IHL-125-25-12-16	B	125	25	12,7	116	16	479	180	206	232	175	30	25	185	208,5	890	3669,4	2336	15304	13382	6691
IHL-125-25-12-17	B	125	25	12,7	116	17	516	180	206	232	175	30	25	185	208,5	937,6	3898,7	2336	16215	14183	7092
IHL-125-25-15-7	B	125	25	15,875	112	7	237	190	216	242	175	30	40	195	218,5	619,1	2389	2210	7472	6535	3268
IHL-125-25-15-8	B	125	25	15,875	112	8	262	190	216	242	175	30	40	195	218,5	694,4	2730,3	2210	8486	7428	3714
IHL-125-25-15-9	B	125	25	15,875	112	9	287	190	216	242	175	30	40	195	218,5	768,5	3071,6	2210	9494	8316	4158
IHL-125-25-15-10	B	125	25	15,875	112	10	312	190	216	242	175	30	40	195	218,5	841,3	3412,9	2210	10497	9200	4600
IHL-125-25-15-11	B	125	25	15,875	112	11	349	190	216	242	175	30	40	195	218,5	913,2	3754,2	2210	11496	10081	5041
IHL-125-25-15-12	B	125	25	15,875	112	12	372	190	216	242	175	30	40	195	218,5	984,2	4095,5	2210	12490	10958	5479
IHL-125-25-15-13	B	125	25	15,875	112	13	397	190	216	242	175	30	40	195	218,5	1054,3	4436,8	2210	13481	11833	5917

HLBS

IPIRANGA
HLBS
SINGLE NUT
High Load

Reference	Recirculation	Nominal diameter	Lead	Ball diameter	Root diameter	Circuits	Dimensions					Dimensions					Loads and rigidity				
							Ln	D1	D4	D6	D5	L7	L1	L8	L9	Cam KN	Coam KN	Rsm N/μm	Rbt N/μm	Rnu N/μm	Rnu.ar N/μm
SINGLE NUT Ref	S/U/B Tipo	do mm	Ph mm	Dw mm	d3 mm	i units	Ln mm	D1 mm	D4 mm	D6 mm	D5 mm	L7 mm	L1 mm	L8 mm	L9 mm	Cam KN	Coam KN	Rsm N/μm	Rbt N/μm	Rnu N/μm	Rnu.ar N/μm
IHL-125-25-15-14	B	125	25	15,875	112	14	422	190	216	242	175	30	40	195	218,5	1123,7	4778,1	2210	14467	12703	6352
IHL-125-25-15-15	B	125	25	15,875	112	15	447	190	216	242	175	30	40	195	218,5	1192,4	5119,3	2210	15451	13573	6787
IHL-125-25-15-16	B	125	25	15,875	112	16	485	190	216	242	175	30	40	195	218,5	1260,4	5460,6	2210	16431	14439	7220
IHL-125-25-15-17	B	125	25	15,875	112	17	510	190	216	242	175	30	40	195	218,5	1327,9	5801,9	2210	17409	15303	7652
IHL-125-25-15-18	B	125	25	15,875	112	18	535	190	216	242	175	30	40	195	218,5	1394,8	6143,2	2210	18384	16166	8083
IHL-125-25-15-19	B	125	25	15,875	112	19	560	190	216	242	175	30	40	195	218,5	1461,2	6484,5	2210	19356	17026	8513
IHL-125-25-19-2	B	125	25	19,05	109,1	2	105	200	226	252	175	40	40	205	228,5	256,2	749,7	2125	2208	1941	971
IHL-125-25-19-3	B	125	25	19,05	109,1	3	130	200	226	252	175	40	40	205	228,5	364,3	1131,4	2125	3253	2865	1433
IHL-125-25-19-4	B	125	25	19,05	109,1	4	155	200	226	252	175	40	40	205	228,5	483,6	1593,5	2125	4474	3926	1963
IHL-125-25-19-5	B	125	25	19,05	109,1	5	180	200	226	252	175	40	40	205	228,5	587,7	2003,5	2125	5540	4867	2434
IHL-125-25-19-6	B	125	25	19,05	109,1	6	205	200	226	252	175	40	40	205	228,5	689,6	2418,1	2125	6598	5801	2901
IHL-125-25-19-7	B	125	25	19,05	109,1	7	243	200	226	252	175	40	40	205	228,5	789,7	2837	2125	7650	6731	3366
IHL-125-25-19-8	B	125	25	19,05	109,1	8	268	200	226	252	175	40	40	205	228,5	885,8	3242,3	2125	8689	7651	3826
IHL-125-25-19-9	B	125	25	19,05	109,1	9	293	200	226	252	175	40	40	205	228,5	980,2	3647,6	2125	9721	8565	4283
IHL-125-25-19-10	B	125	25	19,05	109,1	10	318	200	226	252	175	40	40	205	228,5	1073,2	4052,9	2125	10748	9476	4738
IHL-125-25-19-11	B	125	25	19,05	109,1	11	343	200	226	252	175	40	40	205	228,5	1164,9	4458,2	2125	11770	10382	5191
IHL-125-25-19-12	B	125	25	19,05	109,1	12	366	200	226	252	175	40	40	205	228,5	1255,4	4863,5	2125	12788	11285	5643
IHL-125-25-19-13	B	125	25	19,05	109,1	13	403	200	226	252	175	40	40	205	228,5	1344,8	5268,8	2125	13802	12186	6093
IHL-125-25-19-14	B	125	25	19,05	109,1	14	428	200	226	252	175	40	40	205	228,5	1433,3	5674,1	2125	14812	13083	6542
IHL-125-25-19-15	B	125	25	19,05	109,1	15	453	200	226	252	175	40	40	205	228,5	1521	6079,4	2125	15820	13978	6989
IHL-125-25-19-16	B	125	25	19,05	109,1	16	478	200	226	252	175	40	40	205	228,5	1607,8	6484,7	2125	16824	14870	7435
IHL-125-25-19-17	B	125	25	19,05	109,1	17	503	200	226	252	175	40	40	205	228,5	1693,8	6890	2125	17824	15759	7880
IHL-125-25-19-18	B	125	25	19,05	109,1	18	528	200	226	252	175	40	40	205	228,5	1779,1	7295,3	2125	18822	16647	8324
IHL-125-25-19-19	B	125	25	19,05	109,1	19	547	200	226	252	175	40	40	205	228,5	1863,8	7700,6	2125	19818	17533	8767
IHL-125-30-19-3	B	125	30	19,05	109,1	3	145	200	226	252	175	40	40	205	228,5	363,9	1130,5	2125	3247	2919	1460
IHL-125-30-19-4	B	125	30	19,05	109,1	4	175	200	226	252	175	40	40	205	228,5	483,1	1592,1	2125	4466	4001	2001
IHL-125-30-19-5	B	125	30	19,05	109,1	5	205	200	226	252	175	40	40	205	228,5	587,1	2001,8	2125	5530	4959	2480
IHL-125-30-19-6	B	125	30	19,05	109,1	6	235	200	226	252	175	40	40	205	228,5	688,9	2416	2125	6587	5912	2956
IHL-125-30-19-7	B	125	30	19,05	109,1	7	280	200	226	252	175	40	40	205	228,5	788,8	2834,7	2125	7636	6857	3429
IHL-125-30-19-8	B	125	30	19,05	109,1	8	310	200	226	252	175	40	40	205	228,5	884,8	3239,6	2125	8673	7794	3897
IHL-125-30-19-9	B	125	30	19,05	109,1	9	340	200	226	252	175	40	40	205	228,5	979,2	3644,6	2125	9704	8725	4363
IHL-125-30-19-10	B	125	30	19,05	109,1	10	368	200	226	252	175	40	40	205	228,5	1072	4049,5	2125	10729	9651	4826
IHL-125-30-19-11	B	125	30	19,05	109,1	11	398	200	226	252	175	40	40	205	228,5	1163,6	4454,5	2125	11750	10574	5287
IHL-125-30-19-12	B	125	30	19,05	109,1	12	428	200	226	252	175	40	40	205	228,5	1254	4859,4	2125	12766	11493	5747
IHL-125-30-19-13	B	125	30	19,05	109,1	13	473	200	226	252	175	40	40	205	228,5	1343,4	5264,4	2125	13778	12409	6205
IHL-125-30-19-14	B	125	30	19,05	109,1	14	503	200	226	252	175	40	40	205	228,5	1431,8	5669,3	2125	14787	13322	6661
IHL-125-30-19-15	B	125	30	19,05	109,1	15	533	200	226	252	175	40	40	205	228,5	1519,3	6074,3	2125	15792	14232	7116
IHL-125-30-19-16	B	125	30	19,05	109,1	16	563	200	226	252	175	40	40	205	228,5	1606	6479,2	2125	16794	15140	7570
IHL-140-16-12-2	B	140	16	12,7	131	2	75	195	221	247	175	30	40	200	223,5	151,8	487,7	2962	2262	1761	881
IHL-140-16-12-3	B	140	16	12,7	131	3	91	195	221	247	175	30	40	200	223,5	215,8	737,1	2962	3333	2605	1303
IHL-140-16-12-4	B	140	16	12,7	131	4	107	195	221	247	175	30	40	200	223,5	277,2	989,9	2962	4388	3439	1720
IHL-140-16-12-5	B	140	16	12,7	131	5	131	195	221	247	175	30	40	200	223,5	336,8	1246,1	2962	5434	4267	2134

HLBS

IPIRANGA
HLBS
SINGLE NUT
High Load

Reference	Recirculation	Nominal diameter	Lead	Ball diameter	Root diameter	Circuits	Dimensions					Dimensions					Loads and rigidity				
							Ln	D1	D4	D6	D5	L7	L1	L8	L9	Cam	Coam	Rsm	Rbt	Rnu	Rnu.ar
SINGLE NUT Ref	S/U/B Tipo	do mm	Ph mm	Dw mm	d3 mm	i units	mm	mm	mm	mm	mm	mm	mm	mm	mm	KN	KN	N/μm	N/μm	N/μm	N/μm
IHL-140-16-12-6	B	140	16	12,7	131	6	147	195	221	247	175	30	40	200	223,5	395	1505,7	2962	6471	5090	2545
IHL-140-16-12-7	B	140	16	12,7	131	7	163	195	221	247	175	30	40	200	223,5	452,1	1768,5	2962	7501	5908	2954
IHL-140-16-12-8	B	140	16	12,7	131	8	179	195	221	247	175	30	40	200	223,5	517	2080,6	2962	8742	6856	3428
IHL-140-16-12-9	B	140	16	12,7	131	9	203	195	221	247	175	30	40	200	223,5	561,2	2273,8	2962	9532	7526	3763
IHL-140-16-12-10	B	140	16	12,7	131	10	219	195	221	247	175	30	40	200	223,5	626,4	2600,8	2962	10814	8500	4250
IHL-140-16-12-11	B	140	16	12,7	131	11	235	195	221	247	175	30	40	200	223,5	679,9	2860,9	2962	11842	9317	4659
IHL-140-16-12-12	B	140	16	12,7	131	12	251	195	221	247	175	30	40	200	223,5	732,8	3121	2962	12867	10132	5066
IHL-140-16-12-13	B	140	16	12,7	131	13	275	195	221	247	175	30	40	200	223,5	785	3381	2962	13887	10944	5472
IHL-140-16-12-14	B	140	16	12,7	131	14	291	195	221	247	175	30	40	200	223,5	836,6	3641,1	2962	14903	11753	5877
IHL-140-16-12-15	B	140	16	12,7	131	15	307	195	221	247	175	30	40	200	223,5	887,8	3901,2	2962	15917	12561	6281
IHL-140-16-12-16	B	140	16	12,7	131	16	323	195	221	247	175	30	40	200	223,5	938,4	4161,3	2962	16926	13366	6683
IHL-140-20-12-2	B	140	20	12,7	131	2	83	195	221	247	175	30	40	200	223,5	151,8	487,6	2962	2261	1842	921
IHL-140-20-12-3	B	140	20	12,7	131	3	103	195	221	247	175	30	40	200	223,5	215,8	736,8	2962	3331	2723	1362
IHL-140-20-12-4	B	140	20	12,7	131	4	123	195	221	247	175	30	40	200	223,5	277,1	989,5	2962	4385	3592	1796
IHL-140-20-12-5	B	140	20	12,7	131	5	153	195	221	247	175	30	40	200	223,5	336,7	1245,7	2962	5430	4456	2228
IHL-140-20-12-6	B	140	20	12,7	131	6	173	195	221	247	175	30	40	200	223,5	394,8	1505,2	2962	6466	5313	2657
IHL-140-20-12-7	B	140	20	12,7	131	7	193	195	221	247	175	30	40	200	223,5	451,9	1767,9	2962	7496	6166	3083
IHL-140-20-12-8	B	140	20	12,7	131	8	213	195	221	247	175	30	40	200	223,5	516,8	2079,9	2962	8735	7161	3581
IHL-140-20-12-9	B	140	20	12,7	131	9	243	195	221	247	175	30	40	200	223,5	560,9	2273	2962	9525	7852	3926
IHL-140-20-12-10	B	140	20	12,7	131	10	263	195	221	247	175	30	40	200	223,5	626,1	2599,9	2962	10806	8875	4438
IHL-140-20-12-11	B	140	20	12,7	131	11	283	195	221	247	175	30	40	200	223,5	679,6	2859,9	2962	11834	9727	4864
IHL-140-20-12-12	B	140	20	12,7	131	12	303	195	221	247	175	30	40	200	223,5	732,4	3119,9	2962	12857	10575	5288
IHL-140-20-12-13	B	140	20	12,7	131	13	333	195	221	247	175	30	40	200	223,5	784,6	3379,8	2962	13877	11422	5711
IHL-140-20-12-14	B	140	20	12,7	131	14	353	195	221	247	175	30	40	200	223,5	836,2	3639,8	2962	14892	12265	6133
IHL-140-20-12-15	B	140	20	12,7	131	15	371	195	221	247	175	30	40	200	223,5	887,4	3899,8	2962	15905	13106	6553
IHL-140-20-12-16	B	140	20	12,7	131	16	391	195	221	247	175	30	40	200	223,5	938	4159,8	2962	16914	13945	6973
IHL-140-20-15-2	B	140	20	15,875	127	2	89	210	236	262	175	30	40	215	238,5	213,3	716,3	2820	2396	1994	997
IHL-140-20-15-3	B	140	20	15,875	127	3	109	210	236	262	175	30	40	215	238,5	303,3	1082,1	2820	3530	2947	1474
IHL-140-20-15-4	B	140	20	15,875	127	4	129	210	236	262	175	30	40	215	238,5	389,8	1452,8	2820	4650	3889	1945
IHL-140-20-15-5	B	140	20	15,875	127	5	159	210	236	262	175	30	40	215	238,5	473,7	1828,3	2820	5758	4823	2412
IHL-140-20-15-6	B	140	20	15,875	127	6	179	210	236	262	175	30	40	215	238,5	555,9	2208,6	2820	6858	5751	2876
IHL-140-20-15-7	B	140	20	15,875	127	7	199	210	236	262	175	30	40	215	238,5	636,6	2593,4	2820	7952	6675	3338
IHL-140-20-15-8	B	140	20	15,875	127	8	219	210	236	262	175	30	40	215	238,5	731,6	3073,7	2820	9328	7797	3899
IHL-140-20-15-9	B	140	20	15,875	127	9	249	210	236	262	175	30	40	215	238,5	790,2	3334,4	2820	10104	8497	4249
IHL-140-20-15-10	B	140	20	15,875	127	10	269	210	236	262	175	30	40	215	238,5	886,3	3842,1	2820	11538	9661	4831
IHL-140-20-15-11	B	140	20	15,875	127	11	289	210	236	262	175	30	40	215	238,5	962	4226,4	2820	12636	10588	5294
IHL-140-20-15-12	B	140	20	15,875	127	12	309	210	236	262	175	30	40	215	238,5	1036,8	4610,6	2820	13729	11511	5756
IHL-140-20-15-13	B	140	20	15,875	127	13	339	210	236	262	175	30	40	215	238,5	1084,1	4816,4	2820	14346	12098	6049
IHL-140-20-15-14	B	140	20	15,875	127	14	359	210	236	262	175	30	40	215	238,5	1183,8	5379	2820	15902	13348	6674
IHL-140-20-15-15	B	140	20	15,875	127	15	377	210	236	262	175	30	40	215	238,5	1256,1	5763,2	2820	16983	14263	7132
IHL-140-20-15-16	B	140	20	15,875	127	16	397	210	236	262	175	30	40	215	238,5	1327,8	6147,4	2820	18061	15176	7588
IHL-140-25-15-7	B	140	25	15,875	127	7	237	210	236	262	175	30	40	215	238,5	636,1	2592	2820	7942	6889	3445

HLBS

IPIRANGA
HLBS
SINGLE NUT
High Load

Reference	Recirculation	Nominal diameter	Lead	Ball diameter	Root diameter	Circuits	Dimensions					Dimensions					Loads and rigidity				
							Ln	D1	D4	D6	D5	L7	L1	L8	L9	Cam KN	Coam KN	Rsm N/μm	Rbt N/μm	Rnu N/μm	Rnu.ar N/μm
SINGLE NUT	S/U/B	do	Ph	Dw	d3	i	Ln	D1	D4	D6	D5	L7	L1	L8	L9	Cam	Coam	Rsm	Rbt	Rnu	Rnu.ar
Ref	Tipo	mm	mm	mm	mm	units	mm	mm	mm	mm	mm	mm	mm	mm	mm	KN	KN	N/μm	N/μm	N/μm	N/μm
IHL-140-25-15-8	B	140	25	15,875	127	8	262	210	236	262	175	30	40	215	238,5	731	3072	2820	9317	8053	4027
IHL-140-25-15-9	B	140	25	15,875	127	9	299	210	236	262	175	30	40	215	238,5	789,6	3332,6	2820	10092	8768	4384
IHL-140-25-15-10	B	140	25	15,875	127	10	324	210	236	262	175	30	40	215	238,5	885,7	3840	2820	11525	9976	4988
IHL-140-25-15-11	B	140	25	15,875	127	11	349	210	236	262	175	30	40	215	238,5	961,3	4224	2820	12621	10931	5466
IHL-140-25-15-12	B	140	25	15,875	127	12	372	210	236	262	175	30	40	215	238,5	1036	4608	2820	13713	11883	5942
IHL-140-25-15-13	B	140	25	15,875	127	13	410	210	236	262	175	30	40	215	238,5	1083,3	4813,7	2820	14329	12476	6238
IHL-140-25-15-14	B	140	25	15,875	127	14	435	210	236	262	175	30	40	215	238,5	1182,9	5376	2820	15884	13778	6889
IHL-140-25-15-15	B	140	25	15,875	127	15	460	210	236	262	175	30	40	215	238,5	1255,2	5760	2820	16963	14720	7360
IHL-140-25-15-16	B	140	25	15,875	127	16	485	210	236	262	175	30	40	215	238,5	1326,9	6144	2820	18040	15661	7831
IHL-140-25-15-17	B	140	25	15,875	127	17	522	210	236	262	175	30	40	215	238,5	1397,9	6528	2820	19113	16598	8299
IHL-140-25-15-18	B	140	25	15,875	127	18	547	210	236	262	175	30	40	215	238,5	1468,3	6912	2820	20183	17534	8767
IHL-140-25-15-19	B	140	25	15,875	127	19	547	210	236	262	175	30	40	215	238,5	1538,2	7296	2820	21251	18468	9234
IHL-140-25-19-2	B	140	25	19,05	124,1	2	105	220	246	272	175	40	40	225	248,5	2675	829,5	2723	2388	2076	1038
IHL-140-25-19-3	B	140	25	19,05	124,1	3	130	220	246	272	175	40	40	225	248,5	391,8	1308,7	2723	3661	3173	1587
IHL-140-25-19-4	B	140	25	19,05	124,1	4	155	220	246	272	175	40	40	225	248,5	503,3	1755,2	2723	4821	4186	2093
IHL-140-25-19-5	B	140	25	19,05	124,1	5	180	220	246	272	175	40	40	225	248,5	611,6	2206,8	2723	5969	5189	2595
IHL-140-25-19-6	B	140	25	19,05	124,1	6	218	220	246	272	175	40	40	225	248,5	717,5	2663,3	2723	7109	6186	3093
IHL-140-25-19-7	B	140	25	19,05	124,1	7	243	220	246	272	175	40	40	225	248,5	821,5	3124,6	2723	8242	7177	3589
IHL-140-25-19-8	B	140	25	19,05	124,1	8	268	220	246	272	175	40	40	225	248,5	921,4	3571	2723	9361	8158	4079
IHL-140-25-19-9	B	140	25	19,05	124,1	9	293	220	246	272	175	40	40	225	248,5	1019,7	4017,4	2723	10473	9134	4567
IHL-140-25-19-10	B	140	25	19,05	124,1	10	318	220	246	272	175	40	40	225	248,5	1116,4	4463,7	2723	11580	10105	5053
IHL-140-25-19-11	B	140	25	19,05	124,1	11	355	220	246	272	175	40	40	225	248,5	1211,7	4910,1	2723	12681	11072	5536
IHL-140-25-19-12	B	140	25	19,05	124,1	12	378	220	246	272	175	40	40	225	248,5	1305,9	5356,5	2723	13778	12036	6018
IHL-140-25-19-13	B	140	25	19,05	124,1	13	403	220	246	272	175	40	40	225	248,5	1399	5802,9	2723	14871	12997	6499
IHL-140-25-19-14	B	140	25	19,05	124,1	14	428	220	246	272	175	40	40	225	248,5	1491	6249,2	2723	15959	13954	6977
IHL-140-25-19-15	B	140	25	19,05	124,1	15	453	220	246	272	175	40	40	225	248,5	1582,2	6695,6	2723	17044	14909	7455
IHL-140-25-19-16	B	140	25	19,05	124,1	16	491	220	246	272	175	40	40	225	248,5	1672,5	7142	2723	18126	15861	7931
IHL-140-25-19-17	B	140	25	19,05	124,1	17	516	220	246	272	175	40	40	225	248,5	1762	7588,3	2723	19204	16810	8405
IHL-140-25-19-18	B	140	25	19,05	124,1	18	541	220	246	272	175	40	40	225	248,5	1850,8	8034,7	2723	20280	17758	8879
IHL-140-25-19-19	B	140	25	19,05	124,1	19	547	220	246	272	175	40	40	225	248,5	1938,8	8481,1	2723	21352	18703	9352
IHL-140-30-19-3	B	140	30	19,05	124,1	3	145	220	246	272	175	40	40	225	248,5	391,4	1307,8	2723	3655	3241	1621
IHL-140-30-19-4	B	140	30	19,05	124,1	4	175	220	246	272	175	40	40	225	248,5	502,8	1754	2723	4814	4274	2137
IHL-140-30-19-5	B	140	30	19,05	124,1	5	205	220	246	272	175	40	40	225	248,5	611	2205,3	2723	5961	5298	2649
IHL-140-30-19-6	B	140	30	19,05	124,1	6	250	220	246	272	175	40	40	225	248,5	716,8	2661,5	2723	7099	6315	3158
IHL-140-30-19-7	B	140	30	19,05	124,1	7	280	220	246	272	175	40	40	225	248,5	820,8	3122,5	2723	8231	7326	3663
IHL-140-30-19-8	B	140	30	19,05	124,1	8	310	220	246	272	175	40	40	225	248,5	920,6	3568,6	2723	9348	8326	4163
IHL-140-30-19-9	B	140	30	19,05	124,1	9	340	220	246	272	175	40	40	225	248,5	1018,8	4014,7	2723	10459	9321	4661
IHL-140-30-19-10	B	140	30	19,05	124,1	10	368	220	246	272	175	40	40	225	248,5	1115,4	4460,7	2723	11564	10312	5156
IHL-140-30-19-11	B	140	30	19,05	124,1	11	413	220	246	272	175	40	40	225	248,5	1210,7	4906,8	2723	12663	11297	5649
IHL-140-30-19-12	B	140	30	19,05	124,1	12	443	220	246	272	175	40	40	225	248,5	1304,8	5352,9	2723	13759	12280	6140
IHL-140-30-19-13	B	140	30	19,05	124,1	13	473	220	246	272	175	40	40	225	248,5	1397,7	5798,9	2723	14849	13258	6629
IHL-160-20-15-2	B	160	20	15,875	147	2	89	230	256	282	175	40	40	235	258,5	227	826,4	3748	2684	2157	1079

HLBS

IPIRANGA
HLBS
SINGLE NUT
High Load

Reference	Recirculation	Nominal diameter	Lead	Ball diameter	Root diameter	Circuits	Dimensions					Dimensions					Loads and rigidity				
							Ln	D1	D4	D6	D5	L7	L1	L8	L9	Cam	Coam	Rsm	Rbt	Rnu	Rnu.ar
SINGLE NUT Ref	S/U/B Tipo	do mm	Ph mm	Dw mm	d3 mm	i units	mm	mm	mm	mm	mm	mm	mm	mm	mm	KN	KN	N/μm	N/μm	N/μm	N/μm
IHL-160-20-15-3	B	160	20	15,875	147	3	109	230	256	282	175	40	40	235	258,5	322,7	1248,4	3748	3954	3189	1595
IHL-160-20-15-4	B	160	20	15,875	147	4	139	230	256	282	175	40	40	235	258,5	414,7	1676	3748	5207	4209	2105
IHL-160-20-15-5	B	160	20	15,875	147	5	159	230	256	282	175	40	40	235	258,5	504	2109,1	3748	6448	5222	2611
IHL-160-20-15-6	B	160	20	15,875	147	6	179	230	256	282	175	40	40	235	258,5	591,3	2547,6	3748	7679	6228	3114
IHL-160-20-15-7	B	160	20	15,875	147	7	209	230	256	282	175	40	40	235	258,5	677	2991,4	3748	8903	7229	3615
IHL-160-20-15-8	B	160	20	15,875	147	8	229	230	256	282	175	40	40	235	258,5	759,4	3418,7	3748	10112	8220	4110
IHL-160-20-15-9	B	160	20	15,875	147	9	249	230	256	282	175	40	40	235	258,5	840,3	3846	3748	11313	9206	4603
IHL-160-20-15-10	B	160	20	15,875	147	10	279	230	256	282	175	40	40	235	258,5	920	4273,4	3748	12509	10188	5094
IHL-160-20-15-11	B	160	20	15,875	147	11	299	230	256	282	175	40	40	235	258,5	998,6	4700,7	3748	13699	11166	5583
IHL-160-20-15-12	B	160	20	15,875	147	12	319	230	256	282	175	40	40	235	258,5	1076,2	5128,1	3748	14883	12141	6071
IHL-160-20-15-13	B	160	20	15,875	147	13	349	230	256	282	175	40	40	235	258,5	1152,9	5555,4	3748	16064	13113	6557
IHL-160-20-15-14	B	160	20	15,875	147	14	369	230	256	282	175	40	40	235	258,5	1228,8	5982,7	3748	17240	14082	7041
IHL-160-20-15-15	B	160	20	15,875	147	15	387	230	256	282	175	40	40	235	258,5	1303,9	6410,1	3748	18411	15047	7524
IHL-160-20-15-16	B	160	20	15,875	147	16	417	230	256	282	175	40	40	235	258,5	1378,3	6837,4	3748	19580	16011	8006
IHL-160-25-15-2	B	160	25	15,875	147	2	99	230	256	282	175	40	40	235	258,5	226,8	826,1	3748	2681	2243	1122
IHL-160-25-15-3	B	160	25	15,875	147	3	124	230	256	282	175	40	40	235	258,5	322,6	1247,8	3748	3950	3315	1658
IHL-160-25-15-4	B	160	25	15,875	147	4	162	230	256	282	175	40	40	235	258,5	414,5	1675,3	3748	5203	4374	2187
IHL-160-25-15-5	B	160	25	15,875	147	5	187	230	256	282	175	40	40	235	258,5	503,7	2108,2	3748	6442	5424	2712
IHL-160-25-15-6	B	160	25	15,875	147	6	212	230	256	282	175	40	40	235	258,5	590,9	2546,5	3748	7672	6467	3234
IHL-160-25-15-7	B	160	25	15,875	147	7	249	230	256	282	175	40	40	235	258,5	676,6	2990,1	3748	8895	7506	3753
IHL-160-25-15-8	B	160	25	15,875	147	8	274	230	256	282	175	40	40	235	258,5	759	3417,3	3748	10103	8533	4267
IHL-160-25-15-9	B	160	25	15,875	147	9	299	230	256	282	175	40	40	235	258,5	839,9	3844,4	3748	11304	9556	4778
IHL-160-25-15-10	B	160	25	15,875	147	10	337	230	256	282	175	40	40	235	258,5	919,5	4271,6	3748	12498	10573	5287
IHL-160-25-15-11	B	160	25	15,875	147	11	362	230	256	282	175	40	40	235	258,5	998,1	4698,7	3748	13687	11587	5794
IHL-160-25-15-12	B	160	25	15,875	147	12	385	230	256	282	175	40	40	235	258,5	1075,6	5125,9	3748	14870	12596	6298
IHL-160-25-15-13	B	160	25	15,875	147	13	422	230	256	282	175	40	40	235	258,5	1152,3	5553	3748	16049	13602	6801
IHL-160-25-15-14	B	160	25	15,875	147	14	447	230	256	282	175	40	40	235	258,5	1228,1	5980,2	3748	17224	14606	7303
IHL-160-25-15-15	B	160	25	15,875	147	15	472	230	256	282	175	40	40	235	258,5	1303,2	6407,3	3748	18395	15606	7803
IHL-160-25-15-16	B	160	25	15,875	147	16	510	230	256	282	175	40	40	235	258,5	1377,6	6834,5	3748	19562	16604	8302
IHL-160-25-15-17	B	160	25	15,875	147	17	535	230	256	282	175	40	40	235	258,5	1451,3	7261,7	3748	20726	17600	8800
IHL-160-25-15-18	B	160	25	15,875	147	18	560	230	256	282	175	40	40	235	258,5	1524,4	7688,8	3748	21887	18593	9297
IHL-160-25-19-2	B	160	25	19,05	144,1	2	105	240	266	292	175	40	40	245	268,5	291,1	986,2	3637	2748	2317	1159
IHL-160-25-19-3	B	160	25	19,05	144,1	3	130	240	266	292	175	40	40	245	268,5	413,9	1488,2	3637	4049	3423	1712
IHL-160-25-19-4	B	160	25	19,05	144,1	4	155	240	266	292	175	40	40	245	268,5	531,6	1995,9	3637	5331	4515	2258
IHL-160-25-19-5	B	160	25	19,05	144,1	5	193	240	266	292	175	40	40	245	268,5	645,9	2509,3	3637	6601	5599	2800
IHL-160-25-19-6	B	160	25	19,05	144,1	6	218	240	266	292	175	40	40	245	268,5	757,6	3028,2	3637	7861	6675	3338
IHL-160-25-19-7	B	160	25	19,05	144,1	7	243	240	266	292	175	40	40	245	268,5	867,3	3552,5	3637	9114	7746	3873
IHL-160-25-19-8	B	160	25	19,05	144,1	8	268	240	266	292	175	40	40	245	268,5	972,9	4060	3637	10351	8805	4403
IHL-160-25-19-9	B	160	25	19,05	144,1	9	305	240	266	292	175	40	40	245	268,5	1076,6	4567,5	3637	11581	9860	4930
IHL-160-25-19-10	B	160	25	19,05	144,1	10	330	240	266	292	175	40	40	245	268,5	1178,7	5075	3637	12805	10910	5455
IHL-160-25-19-11	B	160	25	19,05	144,1	11	355	240	266	292	175	40	40	245	268,5	1279,4	5582,5	3637	14023	11955	5978
IHL-160-25-19-12	B	160	25	19,05	144,1	12	378	240	266	292	175	40	40	245	268,5	1378,8	6090	3637	15235	12996	6498

HLBS

IPIRANGA
HLBS
SINGLE NUT
High Load

Reference	Recirculation	Nominal diameter	Lead	Ball diameter	Root diameter	Circuits	Dimensions					Dimensions					Loads and rigidity				
							Ln	D1	D4	D6	D5	L7	L1	L8	L9	Cam	Coam	Rsm	Rbt	Rnu	Rnu.ar
SINGLE NUT Ref	S/U/B Tipo	do mm	Ph mm	Dw mm	d3 mm	i units	mm	mm	mm	mm	mm	mm	mm	mm	mm	KN	KN	N/μm	N/μm	N/μm	N/μm
IHL-160-25-19-13	B	160	25	19,05	144,1	13	416	240	266	292	175	40	40	245	268,5	1477,1	6597,5	3637	16444	14035	7018
IHL-160-25-19-14	B	160	25	19,05	144,1	14	441	240	266	292	175	40	40	245	268,5	1574,3	7105	3637	17647	15070	7535
IHL-160-25-19-15	B	160	25	19,05	144,1	15	466	240	266	292	175	40	40	245	268,5	1670,5	7612,5	3637	18847	16102	8051
IHL-160-25-19-16	B	160	25	19,05	144,1	16	491	240	266	292	175	40	40	245	268,5	1765,8	8120	3637	20043	17131	8566
IHL-160-25-19-17	B	160	25	19,05	144,1	17	528	240	266	292	175	40	40	245	268,5	1860,3	8627,5	3637	21235	18158	9079
IHL-160-25-19-18	B	160	25	19,05	144,1	18	553	240	266	292	175	40	40	245	268,5	1954,1	9135	3637	22425	19182	9591
IHL-160-30-19-3	B	160	30	19,05	144,1	3	145	240	266	292	175	40	40	245	268,5	413,6	1487,4	3637	4044	3510	1755
IHL-160-30-19-4	B	160	30	19,05	144,1	4	175	240	266	292	175	40	40	245	268,5	531,2	1994,9	3637	5325	4629	2315
IHL-160-30-19-5	B	160	30	19,05	144,1	5	220	240	266	292	175	40	40	245	268,5	645,5	2508	3637	6594	5739	2870
IHL-160-30-19-6	B	160	30	19,05	144,1	6	250	240	266	292	175	40	40	245	268,5	757,1	3026,6	3637	7853	6841	3421
IHL-160-30-19-7	B	160	30	19,05	144,1	7	280	240	266	292	175	40	40	245	268,5	866,8	3550,7	3637	9104	7937	3969
IHL-160-30-19-8	B	160	30	19,05	144,1	8	310	240	266	292	175	40	40	245	268,5	972,2	4057,9	3637	10340	9022	4511
IHL-160-30-19-9	B	160	30	19,05	144,1	9	355	240	266	292	175	40	40	245	268,5	1075,9	4565,1	3637	11569	10101	5051
IHL-160-30-19-10	B	160	30	19,05	144,1	10	383	240	266	292	175	40	40	245	268,5	1177,9	5072,4	3637	12791	11175	5588
IHL-160-30-19-11	B	160	30	19,05	144,1	11	413	240	266	292	175	40	40	245	268,5	1278,5	5579,6	3637	14007	12244	6122
IHL-160-30-19-12	B	160	30	19,05	144,1	12	443	240	266	292	175	40	40	245	268,5	1377,9	6086,8	3637	15219	13310	6655
IHL-160-30-19-13	B	160	30	19,05	144,1	13	488	240	266	292	175	40	40	245	268,5	1476,1	6594,1	3637	16426	14373	7187

IPIRANGA TMBS TRANSPORT MOTION

SHIFTING OUR CUSTOMERS' GOALS

Ipiranga TMBS Transport Motion Ball Screws accomplish longest travel distances.

Ipiranga TMBS provide transfer solutions. Made to order with a broad range of diameters, pitches and starts to cover any requirement.



Motion technology applied to transport requirements.
Improved lifetime and load results.

FEATURES & BENEFITS

PRODUCT RANGE

- From 16mm to 160mm diameters
- From 5mm to 100mm leads
- Lengths up to 20 meters
- IT3 & IT5 compliant

MANUFACTURING PROCESSES AVAILABLE

- According to DIN 69051 and ISO 3408 standards
- ISO 9001 and ISO 14001 certified
- Ground

PRODUCT FAMILIES

- TMBS SINGLE NUT

MotionFit SOLUTIONS

FRAMEWORK

- Multiple working conditions
- Protect
- Temp
- Low noise

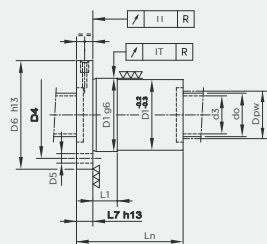
INNOVATION

- Tailored engineering
- Custom manufacturing
- Design eco

TECHNOLOGY

- Speed

NUT CONFIGURATIONS



TRANSPORT SINGLE NUT

Single nut without preload for multipurpose industrial applications.

EXTRA PERFORMANCE & EQUIPMENT ALWAYS AT HAND

MotionFit ROTATING

When the **operational speeds and lengths** of the ball screw does not allow high Rpm, the Rotary Nuts of Ipiranga satisfy the feed rates making the nut turning and getting the screw static.

MotionFit COOLING

When a heating is produced in the ball screw assembly, the accuracy and the life time of the ball screws are affected due to the deformations. Keeping an **equilibrate temperature** of the ball screw assembly we reduce such risks.

MotionFit SAFETY

Safety requirements are becoming more important, implementing Ipiranga embedded or integrated Safety nuts guarantee the load will be transferred from the ball nut to the safety nut in the event of failure of the system.

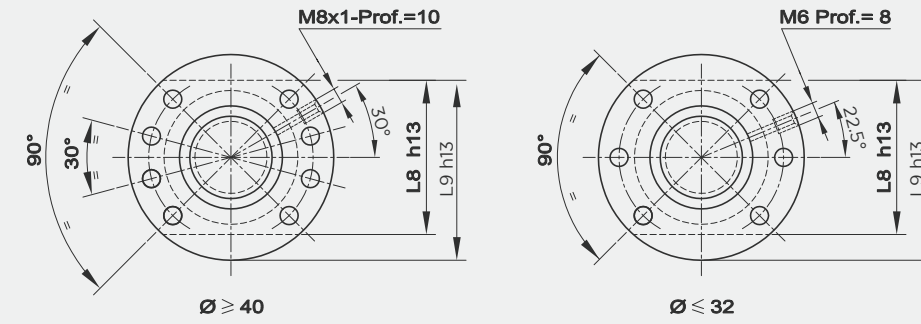
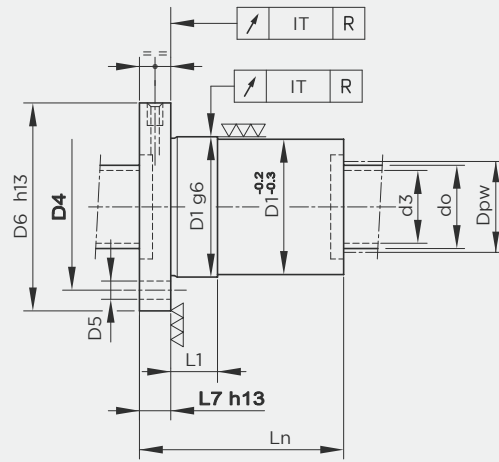
WIPER CONFIGURATION

- PTFE/Polyamide wiper
- Plough wiper
- Encapsulated felt wiper
- Triple wiper

MATERIALS & COATINGS

- Magnesium Phosphate
- Armoloy
- Stainless steel
- Ceramic balls

IPIRANGA TMBS SINGLE NUT



Reference	Recirculation	Nominal diameter	Lead	Ball diameter	Root diameter	Circuits	Dimensions					Dimensions					Loads and rigidity				
							Ln	D1	D4	D6	D5	L7	L1	L8	L9	Cam	Coam	Rsm	Rbt	Rnu	Rnu.ar
SINGLE NUT Ref	S/U/B Tipo	do mm	Ph mm	Dw mm	d3 mm	i units	Ln mm	D1 mm	D4 mm	D6 mm	D5 mm	L7 mm	L1 mm	L8 mm	L9 mm	Cam KN	Coam KN	Rsm N/μm	Rbt N/μm	Rnu N/μm	Rnu.ar N/μm
SFB-16-5-4-3	S	16	5	3,969	13	3	44	28	38	48	5,5	10	10	40	44	14,3	23,2	33	420	386	193
SFB-16-5-4-4	S	16	5	3,969	13	4	50	28	38	48	5,5	10	10	40	44	18,6	31,6	33	555	511	256
SFB-16-5-4-5	S	16	5	3,969	13	5	55	28	38	48	5,5	10	10	40	44	22,7	40,2	33	689	634	317
SFB-20-5-4-3	S	20	5	3,969	17	3	44	36	47	58	6,6	10	10	44	51	16,4	30	54	518	473	237
SFB-20-5-4-4	S	20	5	3,969	17	4	50	36	47	58	6,6	10	10	44	51	21,2	40,8	54	683	624	312
SFB-20-5-4-5	S	20	5	3,969	17	5	55	36	47	58	6,6	10	10	44	51	25,9	51,9	54	848	776	388
SFB-20-5-4-6	S	20	5	3,969	17	6	60	36	47	58	6,6	10	10	44	51	30,5	63,3	54	1011	925	463
SFB-25-5-4-3	S	25	5	3,969	22	3	44	40	51	62	6,6	10	10	48	55	18,6	39,1	88	640	563	282
SFB-25-5-4-4	S	25	5	3,969	22	4	50	40	51	62	6,6	10	10	48	55	24,1	53	88	845	743	372
SFB-25-5-4-5	S	25	5	3,969	22	5	55	40	51	62	6,6	10	10	48	55	29,3	67,5	88	1046	921	461
SFB-25-5-4-6	S	25	5	3,969	22	6	60	40	51	62	6,6	10	10	48	55	34,5	82,3	88	1248	1100	550
SFB-25-10-4-3	S	25	10	3,969	22,06	3	65	40	51	62	6,6	10	10	48	55	17,1	34,5	88	570	537	269
SFB-25-10-4-4	S	25	10	3,969	22,06	4	76	40	51	62	6,6	10	10	48	55	22,1	46,9	88	752	709	355
SFB-25-10-5-3	S	25	10	4,762	21,5	3	65	40	51	62	6,6	10	10	48	55	21,2	39,2	85	567	532	266
SFB-25-10-5-4	S	25	10	4,762	21,5	4	76	40	51	62	6,6	10	10	48	55	27,3	53,2	85	747	702	351
SFB-32-5-4-3	S	32	5	3,969	29	3	45	50	65	80	9	10	10	62	71	20,9	50,4	149	784	672	336
SFB-32-5-4-4	S	32	5	3,969	29	4	51	50	65	80	9	12	10	62	71	26,9	68,5	149	1033	887	444
SFB-32-5-4-5	S	32	5	3,969	29	5	57	50	65	80	9	12	10	62	71	32,8	87	149	1281	1101	551
SFB-32-5-4-6	S	32	5	3,969	29	6	62	50	65	80	9	12	10	62	71	38,5	106,1	149	1526	1313	657
SFB-32-10-6-3	S	32	10	6,35	27,2	3	70	50	65	80	9	12	20	62	71	38,9	68,5	137	768	700	350
SFB-32-10-6-3	U	32	10	6,35	26,5	3	64	56	71	86	9	14	20	65	75,5	38,6	76,8	130	841	780	390
SFB-32-10-6-4	S	32	10	6,35	27,2	4	82	50	65	80	9	12	20	62	71	50,1	92,6	137	1012	924	462
SFB-32-10-6-4	U	32	10	6,35	26,5	4	74	56	71	86	9	14	20	65	75,5	52	110,9	130	1175	1086	543
SFB-32-10-6-5	S	32	10	6,35	27,2	5	92	50	65	80	9	12	20	62	71	61,1	117,3	137	1254	1145	573
SFB-32-10-6-5	U	32	10	6,35	26,5	5	84	56	71	86	9	14	20	65	75,5	63,6	140,6	130	1458	1348	674
SFB-32-10-6-6	S	32	10	6,35	27,2	6	102	50	65	80	9	12	20	62	71	71,9	142,5	137	1495	1366	683
SFB-32-10-6-6	U	32	10	6,35	26,5	6	94	56	71	86	9	14	20	65	75,5	74,9	171	130	1738	1608	804
SFB-32-16-6-3	U	32	16	6,35	26,5	3	80	56	71	86	9	14	20	65	75,5	38,2	76,3	130	828	790	395
SFB-32-16-6-4	U	32	16	6,35	26,5	4	96	56	71	86	9	14	20	65	75,5	51,6	110,1	130	1158	1102	551
SFB-32-16-6-5	U	32	16	6,35	26,5	5	112	56	71	86	9	14	20	65	75,5	63	139,6	130	1436	1367	684
SFB-32-20-6-3	U	32	20	6,35	26,5	3	91	56	71	86	9	14	20	65	75,5	37,9	75,8	130	817	787	394
SFB-32-20-6-4	U	32	20	6,35	26,5	4	111	56	71	86	9	14	20	65	75,5	51,1	109,4	130	1142	1098	549
SFB-32-20-6-5	U	32	20	6,35	26,5	5	111	56	71	86	9	14	20	65	75,5	62,4	138,7	130	1416	1362	681
SFB-32-20-8-3	U	32	20	7,938	25,3	3	96	63	78	93	9	16	20	70	81,5	58,8	103,4	123	934	899	450
SFB-32-20-8-4	U	32	20	7,938	25,3	4	116	63	78	93	9	16	20	70	81,5	75,9	139,6	123	1232	1186	593

IPIRANGA
TMBS
SINGLE NUT

Reference	Recirculation	Nominal diameter	Lead	Ball diameter	Root diameter	Circuits	Dimensions					Dimensions					Loads and rigidity				
							Ln	D1	D4	D6	D5	L7	L1	L8	L9	Cam	Coam	Rsm	Rbt	Rnu	Rnu.ar
SINGLE NUT Ref	S/U/B Tipo	do mm	Ph mm	Dw mm	d3 mm	i units	mm	mm	mm	mm	mm	mm	mm	mm	mm	KN	KN	N/μm	N/μm	N/μm	N/μm
SFB-32-20-8-5	U	32	20	7,938	25,3	5	122	63	78	93	9	16	20	70	81,5	92,6	176,4	123	1528	1472	736
SFB-40-5-4-3	S	40	5	3,969	37	3	48	63	78	93	9	14	10	70	81,5	23,6	66,3	238	976	818	409
SFB-40-5-4-4	S	40	5	3,969	37	4	54	63	78	93	9	14	10	70	81,5	30,4	89,9	238	1286	1079	540
SFB-40-5-4-5	S	40	5	3,969	37	5	59	63	78	93	9	14	10	70	81,5	37,1	114,3	238	1595	1340	670
SFB-40-5-4-6	S	40	5	3,969	37	6	64	63	78	93	9	14	10	70	81,5	43,5	139,3	238	1899	1597	799
SFB-40-10-6-3	U	40	10	6,35	34,5	3	65	63	78	93	9	14	16	70	81,5	43,7	98,8	214	1029	926	463
SFB-40-10-6-4	U	40	10	6,35	34,5	4	75	63	78	93	9	14	16	70	81,5	56,4	133,6	214	1358	1224	612
SFB-40-10-6-5	U	40	10	6,35	34,5	5	85	63	78	93	9	14	16	70	81,5	71,2	178,3	214	1762	1581	791
SFB-40-10-6-6	U	40	10	6,35	34,5	6	95	63	78	93	9	14	16	70	81,5	83,9	216,7	214	2101	1887	944
SFB-40-10-6-7	U	40	10	6,35	34,5	7	105	63	78	93	9	14	16	70	81,5	96,3	256,1	214	2438	2191	1096
SFB-40-10-6-8	U	40	10	6,35	34,5	8	115	63	78	93	9	14	16	70	81,5	108,1	292,7	214	2769	2489	1245
SFB-40-10-7-3	S	40	10	7,144	34,6	3	74	63	78	93	9	14	20	70	81,5	49,3	93	219	910	822	411
SFB-40-10-7-4	S	40	10	7,144	34,6	4	85	63	78	93	9	14	20	70	81,5	63,6	125,5	219	1200	1085	543
SFB-40-10-7-5	S	40	10	7,144	34,6	5	96	63	78	93	9	14	20	70	81,5	77,5	158,8	219	1487	1346	673
SFB-40-10-8-3	B	40	10	7,938	33,3	3	70	70	85	100	9	14	20	75	87,5	66,9	131,3	205	1149	1037	519
SFB-40-10-8-4	B	40	10	7,938	33,3	4	72	70	85	100	9	14	20	75	87,5	86,2	177,1	205	1514	1368	684
SFB-40-10-8-5	B	40	10	7,938	33,3	5	90	70	85	100	9	14	20	75	87,5	105	223,8	205	1876	1696	848
SFB-40-10-8-6	B	40	10	7,938	33,3	6	100	70	85	100	9	14	20	75	87,5	123,5	271,4	205	2237	2024	1012
SFB-40-10-8-7	B	40	10	7,938	33,3	7	110	70	85	100	9	14	20	75	87,5	141,6	320	205	2594	2348	1174
SFB-40-10-8-8	B	40	10	7,938	33,3	8	120	70	85	100	9	14	20	75	87,5	158,9	365,7	205	2947	2669	1335
SFB-40-16-6-3	U	40	16	6,35	34,5	3	81	65	78	93	9	16	20	70	81,5	43,5	98,3	214	1020	959	480
SFB-40-16-6-4	U	40	16	6,35	34,5	4	97	65	78	93	9	16	20	70	81,5	56,1	133	214	1345	1265	633
SFB-40-16-6-5	U	40	16	6,35	34,5	5	113	65	78	93	9	16	20	70	81,5	70,8	177,4	214	1745	1637	819
SFB-40-16-6-6	U	40	16	6,35	34,5	6	129	65	78	93	9	16	20	70	81,5	83,4	215,7	214	2081	1953	977
SFB-40-16-8-3	U	40	16	7,938	33,3	3	87	70	85	100	9	18	25	75	87,5	66,5	130,7	205	1138	1067	534
SFB-40-16-8-4	U	40	16	7,938	33,3	4	103	70	85	100	9	18	25	75	87,5	85,7	176,3	205	1500	1407	704
SFB-40-16-8-5	U	40	16	7,938	33,3	5	119	70	85	100	9	18	25	75	87,5	104,4	222,8	205	1859	1745	873
SFB-40-16-8-6	U	40	16	7,938	33,3	6	135	70	85	100	9	18	25	75	87,5	122,7	270,2	205	2215	2079	1040
SFB-40-20-6-3	U	40	20	6,35	34,5	3	92	65	78	93	9	18	20	70	81,5	43,2	97,9	214	1010	961	481
SFB-40-20-6-4	U	40	20	6,35	34,5	4	112	65	78	93	9	18	20	70	81,5	55,8	132,4	214	1333	1269	635
SFB-40-20-6-5	U	40	20	6,35	34,5	5	132	65	78	93	9	18	20	70	81,5	70,4	176,7	214	1729	1643	822
SFB-40-20-6-6	U	40	20	6,35	34,5	6	152	65	78	93	9	18	20	70	81,5	82,9	214,8	214	2062	1960	980
SFB-40-20-8-3	U	40	20	7,938	33,3	3	97	70	85	100	9	18	25	75	87,5	66,1	130,2	205	1128	1071	536
SFB-40-20-8-4	U	40	20	7,938	33,3	4	117	70	85	100	9	18	25	75	87,5	85,2	175,5	205	1487	1413	707
SFB-40-20-8-5	U	40	20	7,938	33,3	5	137	70	85	100	9	18	25	75	87,5	103,8	221,9	205	1842	1751	876
SFB-40-20-8-6	U	40	20	7,938	33,3	6	157	70	85	100	9	18	25	75	87,5	122,1	269,1	205	2196	2088	1044
SFB-40-25-6-2	U	40	25	6,35	34,5	2	81	65	78	93	9	18	20	70	81,5	30	63,9	214	676	650	325
SFB-40-25-6-3	U	40	25	6,35	34,5	3	106	65	78	93	9	18	20	70	81,5	42,8	97,3	214	996	958	479
SFB-40-25-6-4	U	40	25	6,35	34,5	4	131	65	78	93	9	18	20	70	81,5	55,3	131,6	214	1314	1264	632
SFB-40-25-6-5	U	40	25	6,35	34,5	5	156	65	78	93	9	18	20	70	81,5	69,8	175,5	214	1705	1638	819
SFB-40-25-8-2	U	40	25	7,938	33,3	2	87	70	85	100	9	18	25	75	87,5	44	79,9	205	712	685	343
SFB-40-25-8-3	U	40	25	7,938	33,3	3	112	70	85	100	9	18	25	75	87,5	65,6	129,3	205	1113	1069	535

IPIRANGA
TMBS
SINGLE NUT

Reference	Recirculation	Nominal diameter	Lead	Ball diameter	Root diameter	Circuits	Dimensions					Dimensions					Loads and rigidity				
							Ln	D1	D4	D6	D5	L7	L1	L8	L9	Cam KN	Coam KN	Rsm N/μm	Rbt N/μm	Rnu N/μm	Rnu.ar N/μm
SINGLE NUT Ref	S/U/B Tipo	do mm	Ph mm	Dw mm	d3 mm	i units	Ln mm	D1 mm	D4 mm	D6 mm	D5 mm	L7 mm	L1 mm	L8 mm	L9 mm	Cam KN	Coam KN	Rsm N/μm	Rbt N/μm	Rnu N/μm	Rnu.ar N/μm
SFB-40-25-8-4	U	40	25	7,938	33,3	4	137	70	85	100	9	18	25	75	87,5	84,5	174,4	205	1467	1409	705
SFB-40-25-8-5	U	40	25	7,938	33,3	5	162	70	85	100	9	18	25	75	87,5	102,9	220,4	205	1817	1746	873
SFB-40-30-6-3	U	40	30	6,35	34,5	3	123	70	85	100	9	18	20	75	87,5	42,4	96,5	214	980	953	477
SFB-40-30-6-4	U	40	30	6,35	34,5	4	153	70	85	100	9	18	20	75	87,5	54,7	130,5	214	1292	1256	628
SFB-40-30-8-3	U	40	30	7,938	33,3	3	125	75	90	105	9	18	25	80	92,5	64,9	128,3	205	1095	1063	532
SFB-40-30-8-4	U	40	30	7,938	33,3	4	155	75	90	105	9	18	25	80	92,5	83,6	173,1	205	1443	1401	701
SFB-40-40-6-3	U	40	40	6,35	34,5	3	150	70	85	100	9	18	20	75	87,5	41,3	94,6	214	940	921	461
SFB-40-40-8-3	U	40	40	7,938	33,3	3	153	75	90	105	9	18	25	80	92,5	63,3	125,9	205	1052	1030	515
SFB-50-5-4-3	S	50	5	3,969	47	3	49	75	93	110	11	16	10	85	97,5	25,7	82,2	380	1155	929	465
SFB-50-5-4-4	S	50	5	3,969	47	4	54	75	93	110	11	16	10	85	97,5	33,1	111,6	380	1522	1226	613
SFB-50-5-4-5	S	50	5	3,969	47	5	59	75	93	110	11	16	10	85	97,5	40,2	141,8	380	1884	1521	761
SFB-50-5-4-6	S	50	5	3,969	47	6	66	75	93	110	11	16	10	85	97,5	47,2	172,8	380	2245	1814	907
SFB-50-10-6-3	U	50	10	6,35	44,5	3	66	75	93	110	11	16	16	85	97,5	49	126,2	350	1252	1096	548
SFB-50-10-6-4	U	50	10	6,35	44,5	4	76	75	93	110	11	16	16	85	97,5	63,1	170,7	350	1650	1446	723
SFB-50-10-6-5	U	50	10	6,35	44,5	5	86	75	93	110	11	16	16	85	97,5	77	216,3	350	2046	1795	898
SFB-50-10-6-6	U	50	10	6,35	44,5	6	96	75	93	110	11	16	16	85	97,5	93,1	273,9	350	2529	2210	1105
SFB-50-10-6-7	U	50	10	6,35	44,5	7	106	75	93	110	11	16	16	85	97,5	106,8	323,5	350	2934	2566	1283
SFB-50-10-7-3	S	50	10	7,144	44,6	3	76	75	93	110	11	16	20	85	97,5	57,9	127,7	355	1179	1030	515
SFB-50-10-7-4	S	50	10	7,144	44,6	4	87	75	93	110	11	16	20	85	97,5	74,6	172,4	355	1554	1359	680
SFB-50-10-7-5	S	50	10	7,144	44,6	5	98	75	93	110	11	16	20	85	97,5	90,8	218	355	1926	1686	843
SFB-50-10-7-6	S	50	10	7,144	44,6	6	109	75	93	110	11	16	20	85	97,5	106,8	264,6	355	2295	2011	1006
SFB-50-12-8-3	S	50	12	7,938	44,1	3	96	75	93	110	11	16	20	85	97,5	66,1	138,9	350	1183	1050	525
SFB-50-12-8-4	S	50	12	7,938	44,1	4	109	75	93	110	11	16	20	85	97,5	85,1	187,3	350	1559	1385	693
SFB-50-12-8-5	S	50	12	7,938	44,1	5	121	75	93	110	11	16	20	85	97,5	103,6	236,7	350	1932	1718	859
SFB-50-16-6-3	U	50	16	6,35	44,5	3	82	75	93	110	11	16	20	85	97,5	48,8	125,8	350	1244	1143	572
SFB-50-16-6-4	U	50	16	6,35	44,5	4	98	75	93	110	11	16	20	85	97,5	62,9	170,2	350	1640	1508	754
SFB-50-16-6-5	U	50	16	6,35	44,5	5	114	75	93	110	11	16	20	85	97,5	76,7	215,6	350	2033	1871	936
SFB-50-16-6-6	U	50	16	6,35	44,5	6	130	75	93	110	11	16	20	85	97,5	92,7	273	350	2513	2306	1153
SFB-50-16-6-7	U	50	16	6,35	44,5	7	146	75	93	110	11	16	20	85	97,5	106,4	322,5	350	2916	2677	1339
SFB-50-16-8-3	S	50	16	7,938	44,1	3	108	75	93	110	11	16	20	85	97,5	63,3	130,4	350	1116	1024	512
SFB-50-16-8-3	U	50	16	7,938	43,3	3	88	82	100	118	11	16	25	92	105	71,8	157,6	338	1315	1215	608
SFB-50-16-8-4	S	50	16	7,938	44,1	4	125	75	93	110	11	16	20	85	97,5	81,5	175,9	350	1471	1351	676
SFB-50-16-8-4	U	50	16	7,938	43,3	4	104	82	100	118	11	16	25	92	105	95,7	223,7	338	1814	1672	836
SFB-50-16-8-5	S	50	16	7,938	44,1	5	142	75	93	110	11	16	20	85	97,5	99,2	222,3	350	1823	1675	838
SFB-50-16-8-5	U	50	16	7,938	43,3	5	120	82	100	118	11	16	25	92	105	116,5	282,6	338	2248	2073	1037
SFB-50-16-8-6	U	50	16	7,938	43,3	6	136	82	100	118	11	16	25	92	105	136,8	342,7	338	2678	2471	1236
SFB-50-16-8-7	U	50	16	7,938	43,3	7	152	82	100	118	11	16	25	92	105	156,9	403,8	338	3106	2867	1434
SFB-50-16-8-8	U	50	16	7,938	43,3	8	168	82	100	118	11	16	25	92	105	176	461,5	338	3528	3258	1629
SFB-50-16-9-2	B	50	16	9,525	42,2	2	71	85	105	125	13,5	20	25	95	110	64,1	123,3	327	923	851	426
SFB-50-16-9-3	B	50	16	9,525	42,2	3	87	85	105	125	13,5	20	25	95	110	91,4	187	327	1361	1256	628
SFB-50-16-9-4	B	50	16	9,525	42,2	4	103	85	105	125	13,5	20	25	95	110	122,5	267,6	327	1892	1740	870
SFB-50-16-9-5	B	50	16	9,525	42,2	5	119	85	105	125	13,5	20	25	95	110	149,2	337,8	327	2345	2158	1079

TMBS

IPIRANGA
TMBS
SINGLE NUT

Reference	Recirculation	Nominal diameter	Lead	Ball diameter	Root diameter	Circuits	Dimensions					Dimensions					Loads and rigidity				
							Ln	D1	D4	D6	D5	L7	L1	L8	L9	Cam KN	Coam KN	Rsm N/μm	Rbt N/μm	Rnu N/μm	Rnu.ar N/μm
SINGLE NUT Ref	S/U/B Tipo	do mm	Ph mm	Dw mm	d3 mm	i units	Ln mm	D1 mm	D4 mm	D6 mm	D5 mm	L7 mm	L1 mm	L8 mm	L9 mm	Cam KN	Coam KN	Rsm N/μm	Rbt N/μm	Rnu N/μm	Rnu.ar N/μm
SFB-50-16-9-6	B	50	16	9,525	42,2	6	135	85	105	125	13,5	20	25	95	110	175,3	409,3	327	2794	2572	1286
SFB-50-16-9-7	B	50	16	9,525	42,2	7	159	85	105	125	13,5	20	25	95	110	201,1	482	327	3242	2986	1493
SFB-50-16-9-8	B	50	16	9,525	42,2	8	175	85	105	125	13,5	20	25	95	110	225,6	550,8	327	3682	3392	1696
SFB-50-16-9-9	B	50	16	9,525	42,2	9	187	85	105	125	13,5	20	25	95	110	249,6	619,7	327	4119	3797	1899
SFB-50-20-6-3	U	50	20	6,35	44,5	3	93	75	93	110	11	18	25	85	97,5	48,6	125,5	350	1237	1156	578
SFB-50-20-6-4	U	50	20	6,35	44,5	4	113	75	93	110	11	18	25	85	97,5	62,7	169,7	350	1631	1525	763
SFB-50-20-6-5	U	50	20	6,35	44,5	5	133	75	93	110	11	18	25	85	97,5	76,4	215	350	2021	1891	946
SFB-50-20-6-6	U	50	20	6,35	44,5	6	153	75	93	110	11	18	25	85	97,5	92,4	272,3	350	2499	2333	1167
SFB-50-20-6-7	U	50	20	6,35	44,5	7	173	75	93	110	11	18	25	85	97,5	106	321,6	350	2899	2707	1354
SFB-50-20-8-3	S	50	20	7,938	44,1	3	126	75	93	110	11	16	20	85	97,5	63,1	130,1	350	1110	1036	518
SFB-50-20-8-3	U	50	20	7,938	43,3	3	99	82	100	118	11	18	25	92	105	71,5	157,2	338	1307	1227	614
SFB-50-20-8-4	S	50	20	7,938	44,1	4	148	75	93	110	11	16	20	85	97,5	81,2	175,5	350	1463	1367	684
SFB-50-20-8-4	U	50	20	7,938	43,3	4	119	82	100	118	11	18	25	92	105	95,3	223	338	1803	1689	845
SFB-50-20-8-5	S	50	20	7,938	44,1	5	169	75	93	110	11	16	20	85	97,5	98,9	221,7	350	1813	1694	847
SFB-50-20-8-5	U	50	20	7,938	43,3	5	139	82	100	118	11	18	25	92	105	116	281,8	338	2234	2094	1047
SFB-50-20-8-6	U	50	20	7,938	43,3	6	159	82	100	118	11	18	25	92	105	136,4	341,7	338	2663	2497	1249
SFB-50-20-8-7	U	50	20	7,938	43,3	7	179	82	100	118	11	18	25	92	105	156,3	402,7	338	3088	2896	1448
SFB-50-20-9-2	B	50	20	9,525	42,2	2	79	85	105	125	13,5	20	25	95	110	63,9	123	327	918	860	430
SFB-50-20-9-3	B	50	20	9,525	42,2	3	99	85	105	125	13,5	20	25	95	110	91	186,5	327	1353	1269	635
SFB-50-20-9-4	B	50	20	9,525	42,2	4	119	85	105	125	13,5	20	25	95	110	122,1	266,9	327	1882	1759	880
SFB-50-20-9-5	B	50	20	9,525	42,2	5	139	85	105	125	13,5	20	25	95	110	148,6	336,9	327	2332	2181	1091
SFB-50-20-9-6	B	50	20	9,525	42,2	6	159	85	105	125	13,5	20	25	95	110	174,7	408,2	327	2779	2601	1301
SFB-50-20-9-7	B	50	20	9,525	42,2	7	184	85	105	125	13,5	20	25	95	110	200,4	480,7	327	3224	3018	1509
SFB-50-25-6-2	U	50	25	6,35	44,5	2	82	75	93	110	11	18	25	85	97,5	32,9	78,7	350	800	759	380
SFB-50-25-6-3	U	50	25	6,35	44,5	3	107	75	93	110	11	18	25	85	97,5	48,3	125	350	1225	1161	581
SFB-50-25-6-4	U	50	25	6,35	44,5	4	132	75	93	110	11	18	25	85	97,5	62,3	169	350	1616	1532	766
SFB-50-25-6-5	U	50	25	6,35	44,5	5	157	75	93	110	11	18	25	85	97,5	76	214,1	350	2003	1899	950
SFB-50-25-6-6	U	50	25	6,35	44,5	6	182	75	93	110	11	18	25	85	97,5	91,9	271,1	350	2476	2344	1172
SFB-50-25-8-2	U	50	25	7,938	43,3	2	87	82	100	118	11	18	25	92	105	49,9	103,1	338	879	835	418
SFB-50-25-8-3	U	50	25	7,938	43,3	3	112	82	100	118	11	18	25	92	105	71,2	156,5	338	1296	1232	616
SFB-50-25-8-4	U	50	25	7,938	43,3	4	137	82	100	118	11	18	25	92	105	94,8	222,1	338	1788	1697	849
SFB-50-25-8-5	U	50	25	7,938	43,3	5	162	82	100	118	11	18	25	92	105	115,4	280,6	338	2215	2103	1052
SFB-50-25-8-6	U	50	25	7,938	43,3	6	187	82	100	118	11	18	25	92	105	135,6	340,3	338	2639	2507	1254
SFB-50-25-9-2	U	50	25	9,525	42,2	2	93	90	108	125	11	20	25	95	110	63,5	122,5	327	910	868	434
SFB-50-25-9-2	B	50	25	9,525	42,2	2	89	85	105	125	13,5	20	25	95	110	63,5	122,5	327	910	864	432
SFB-50-25-9-3	U	50	25	9,525	42,2	3	118	90	108	125	11	20	25	95	110	90,6	185,7	327	1342	1281	641
SFB-50-25-9-3	B	50	25	9,525	42,2	3	114	85	105	125	13,5	20	25	95	110	90,6	185,7	327	1342	1275	638
SFB-50-25-9-4	U	50	25	9,525	42,2	4	143	90	108	125	11	20	25	95	110	116,6	250,1	327	1768	1688	844
SFB-50-25-9-4	B	50	25	9,525	42,2	4	139	85	105	125	13,5	20	25	95	110	121,4	265,8	327	1866	1768	884
SFB-50-25-9-5	U	50	25	9,525	42,2	5	168	90	108	125	11	20	25	95	110	147,8	335,5	327	2311	2202	1101
SFB-50-25-9-5	B	50	25	9,525	42,2	5	164	85	105	125	13,5	20	25	95	110	147,8	335,5	327	2311	2191	1096
SFB-50-25-9-6	U	50	25	9,525	42,2	6	193	90	108	125	11	20	25	95	110	173,8	406,5	327	2755	2626	1313

IPIRANGA
TMBS
SINGLE NUT

Reference	Recirculation	Nominal diameter	Lead	Ball diameter	Root diameter	Circuits	Dimensions					Dimensions					Loads and rigidity				
							Ln	D1	D4	D6	D5	L7	L1	L8	L9	Cam	Coam	Rsm	Rbt	Rnu	Rnu.ar
SINGLE NUT Ref	S/U/B Tipo	do mm	Ph mm	Dw mm	d3 mm	i units	mm	mm	mm	mm	mm	mm	mm	mm	mm	KN	KN	N/μm	N/μm	N/μm	N/μm
SFB-50-25-9-6	B	50	25	9,525	42,2	6	189	85	105	125	13,5	20	25	95	110	173,8	406,5	327	2755	2613	1307
SFB-50-30-6-3	U	50	30	6,35	44,5	3	121	75	93	110	11	18	25	85	97,5	48	124,3	350	1212	1159	580
SFB-50-30-6-4	U	50	30	6,35	44,5	4	151	75	93	110	11	18	25	85	97,5	61,9	168,1	350	1598	1529	765
SFB-50-30-6-5	U	50	30	6,35	44,5	5	181	75	93	110	11	18	25	85	97,5	75,5	213	350	1981	1896	948
SFB-50-30-8-3	U	50	30	7,938	43,3	3	126	82	100	118	11	18	25	92	105	70,7	155,7	338	1282	1230	615
SFB-50-30-8-4	U	50	30	7,938	43,3	4	156	82	100	118	11	18	25	92	105	94,2	221	338	1769	1694	847
SFB-50-30-8-5	U	50	30	7,938	43,3	5	186	82	100	118	11	18	25	92	105	114,6	279,2	338	2191	2099	1050
SFB-50-40-6-3	U	50	40	6,35	44,5	3	152	75	93	110	11	18	25	85	97,5	47,2	122,7	350	1180	1142	571
SFB-50-40-6-4	U	50	40	6,35	44,5	4	192	75	93	110	11	18	25	85	97,5	60,9	165,9	350	1556	1506	753
SFB-50-40-8-3	U	50	40	7,938	43,3	3	156	85	103	120	11	18	25	95	107,5	69,5	153,7	338	1248	1213	607
SFB-50-40-8-4	U	50	40	7,938	43,3	4	195	85	103	120	11	18	25	95	107,5	92,6	218,2	338	1722	1672	836
SFB-50-50-6-3	U	50	50	6,35	44,5	3	179	75	93	110	11	18	25	85	97,5	46,2	120,7	350	1140	1112	556
SFB-50-50-8-3	U	50	50	7,938	43,3	3	183	85	103	120	11	18	25	95	107,5	68,1	151,3	338	1207	1181	591
SFB-63-5-4-3	S	63	5	3,969	60,06	3	53	90	108	125	11	18	10	95	110	28,7	107,2	614	1426	1076	538
SFB-63-5-4-4	S	63	5	3,969	60	4	58	90	108	125	11	18	10	95	110	37	145,4	614	1880	1422	711
SFB-63-5-4-5	S	63	5	3,969	60	5	63	90	108	125	11	18	10	95	110	45	184,7	614	2328	1765	883
SFB-63-5-4-6	S	63	5	3,969	60	6	68	90	108	125	11	18	10	95	110	52,8	225,1	614	2773	2106	1053
SFB-63-10-6-3	U	63	10	6,35	57,5	3	66	90	108	125	11	18	16	95	110	54	159,3	575	1503	1269	635
SFB-63-10-6-4	U	63	10	6,35	57,5	4	76	90	108	125	11	18	16	95	110	69,6	215,3	575	1981	1676	838
SFB-63-10-6-5	U	63	10	6,35	57,5	5	86	90	108	125	11	18	16	95	110	86,6	281,8	575	2527	2131	1066
SFB-63-10-6-6	U	63	10	6,35	57,5	6	96	90	108	125	11	18	16	95	110	101,9	342,6	575	3012	2543	1272
SFB-63-10-7-3	S	63	10	7,144	57,6	3	83	90	108	125	11	18	20	95	110	66	169,7	582	1481	1240	620
SFB-63-10-7-4	S	63	10	7,144	57,6	4	89	90	108	125	11	18	20	95	110	84,9	229	582	1951	1637	819
SFB-63-10-7-5	S	63	10	7,144	57,6	5	100	90	108	125	11	18	20	95	110	103,4	289,5	582	2418	2031	1016
SFB-63-10-7-6	S	63	10	7,144	57,6	6	111	90	108	125	11	18	20	95	110	121,5	351,3	582	2881	2423	1212
SFB-63-12-8-4	S	63	12	7,938	57,1	4	110	95	115	135	13,5	20	25	100	117,5	96,2	245,1	576	1933	1695	848
SFB-63-12-8-5	S	63	12	7,938	57,1	5	123	95	115	135	13,5	20	25	100	117,5	117,1	309,7	576	2394	2101	1051
SFB-63-12-8-6	S	63	12	7,938	57,1	6	136	95	115	135	13,5	20	25	100	117,5	137,5	375,5	576	2852	2505	1253
SFB-63-16-6-3	U	63	16	6,35	57,5	3	83	95	115	135	13,5	20	25	100	117,5	53,8	158,9	575	1496	1360	680
SFB-63-16-6-4	U	63	16	6,35	57,5	4	99	95	115	135	13,5	20	25	100	117,5	69,4	214,9	575	1973	1796	898
SFB-63-16-6-5	U	63	16	6,35	57,5	5	115	95	115	135	13,5	20	25	100	117,5	86,4	281,3	575	2517	2287	1144
SFB-63-16-6-6	U	63	16	6,35	57,5	6	131	95	115	135	13,5	20	25	100	117,5	101,6	341,9	575	3000	2727	1364
SFB-63-16-8-3	U	63	16	7,938	56,3	3	89	95	115	135	13,5	20	25	100	117,5	79,9	201,5	560	1597	1435	718
SFB-63-16-8-4	S	63	16	7,938	57,1	4	129	95	115	135	13,5	20	25	100	117,5	93,1	233,6	576	1849	1680	840
SFB-63-16-8-4	U	63	16	7,938	56,3	4	105	95	115	135	13,5	20	25	100	117,5	102,8	271,6	560	2105	1894	947
SFB-63-16-8-5	S	63	16	7,938	57,1	5	145	95	115	135	13,5	20	25	100	117,5	113,3	295,2	576	2291	2083	1042
SFB-63-16-8-5	U	63	16	7,938	56,3	5	121	95	115	135	13,5	20	25	100	117,5	128,6	357,4	560	2704	2425	1213
SFB-63-16-8-6	S	63	16	7,938	57,1	6	161	95	115	135	13,5	20	25	100	117,5	133,1	358	576	2729	2482	1241
SFB-63-16-8-6	U	63	16	7,938	56,3	6	137	95	115	135	13,5	20	25	100	117,5	151	433,3	560	3221	2891	1446
SFB-63-16-8-7	U	63	16	7,938	56,3	7	153	95	115	135	13,5	20	25	100	117,5	173	510,5	560	3735	3355	1678
SFB-63-16-9-3	B	63	16	9,525	55,2	3	87	100	120	140	13,5	20	25	105	122,5	101,7	237,1	546	1642	1481	741
SFB-63-16-9-4	B	63	16	9,525	55,2	4	103	100	120	140	13,5	20	25	105	122,5	135,2	335,2	546	2259	2031	1016

TMBS

IPIRANGA
TMBS
SINGLE NUT

Reference	Recirculation	Nominal diameter	Lead	Ball diameter	Root diameter	Circuits	Dimensions					Dimensions					Loads and rigidity				
							Ln	D1	D4	D6	D5	L7	L1	L8	L9	Cam KN	Coam KN	Rsm N/μm	Rbt N/μm	Rnu N/μm	Rnu.ar N/μm
SINGLE NUT Ref	S/U/B Tipo	do mm	Ph mm	Dw mm	d3 mm	i units	Ln mm	D1 mm	D4 mm	D6 mm	D5 mm	L7 mm	L1 mm	L8 mm	L9 mm	Cam KN	Coam KN	Rsm N/μm	Rbt N/μm	Rnu N/μm	Rnu.ar N/μm
SFB-63-16-9-5	B	63	16	9,525	55,2	5	119	100	120	140	13,5	20	25	105	122,5	164,5	423,1	546	2798	2517	1259
SFB-63-16-9-6	B	63	16	9,525	55,2	6	143	100	120	140	13,5	20	25	105	122,5	193,3	512,6	546	3334	3001	1501
SFB-63-16-9-7	B	63	16	9,525	55,2	7	159	100	120	140	13,5	20	25	105	122,5	221,6	603,5	546	3867	3483	1742
SFB-63-16-9-8	B	63	16	9,525	55,2	8	175	100	120	140	13,5	20	25	105	122,5	248,5	689,7	546	4392	3958	1979
SFB-63-16-9-9	B	63	16	9,525	55,2	9	191	100	120	140	13,5	20	25	105	122,5	275	775,9	546	4913	4430	2215
SFB-63-16-9-10	B	63	16	9,525	55,2	10	207	100	120	140	13,5	20	25	105	122,5	301,1	862,1	546	5433	4902	2451
SFB-63-16-9-11	B	63	16	9,525	55,2	11	231	100	120	140	13,5	20	25	105	122,5	326,8	948,3	546	5949	5370	2685
SFB-63-16-9-12	B	63	16	9,525	55,2	12	247	100	120	140	13,5	20	25	105	122,5	352,2	1034,5	546	6464	5837	2919
SFB-63-16-9-13	B	63	16	9,525	55,2	13	263	100	120	140	13,5	20	25	105	122,5	377,3	1120,7	546	6976	6301	3151
SFB-63-16-9-14	B	63	16	9,525	55,2	14	274	100	120	140	13,5	20	25	105	122,5	402,1	1206,9	546	7487	6765	3383
SFB-63-16-12-2	B	63	16	12,7	54	2	75	110	130	150	13,5	25	25	115	132,5	109	221,3	536	1220	1096	548
SFB-63-16-12-3	B	63	16	12,7	54	3	91	110	130	150	13,5	25	25	115	132,5	155,2	334,5	536	1798	1618	809
SFB-63-16-12-4	B	63	16	12,7	54	4	107	110	130	150	13,5	25	25	115	132,5	199,5	449,5	536	2369	2135	1068
SFB-63-16-12-5	B	63	16	12,7	54	5	123	110	130	150	13,5	25	25	115	132,5	242,7	566,1	536	2934	2646	1323
SFB-63-16-12-6	B	63	16	12,7	54	6	139	110	130	150	13,5	25	25	115	132,5	285	684,3	536	3495	3154	1577
SFB-63-16-12-7	B	63	16	12,7	54	7	163	110	130	150	13,5	25	25	115	132,5	326,5	804,1	536	4053	3660	1830
SFB-63-16-12-8	B	63	16	12,7	54	8	179	110	130	150	13,5	25	25	115	132,5	366,3	918,9	536	4604	4160	2080
SFB-63-16-12-9	B	63	16	12,7	54	9	195	110	130	150	13,5	25	25	115	132,5	405,3	1033,8	536	5151	4656	2328
SFB-63-16-12-10	B	63	16	12,7	54	10	211	110	130	150	13,5	25	25	115	132,5	443,8	1148,7	536	5695	5151	2576
SFB-63-16-12-11	B	63	16	12,7	54	11	227	110	130	150	13,5	25	25	115	132,5	481,7	1263,5	536	6237	5643	2822
SFB-63-16-12-12	B	63	16	12,7	54	12	243	110	130	150	13,5	25	25	115	132,5	519,1	1378,4	536	6776	6133	3067
SFB-63-16-12-13	B	63	16	12,7	54	13	267	110	130	150	13,5	25	25	115	132,5	556,1	1493,3	536	7313	6622	3311
SFB-63-16-12-14	B	63	16	12,7	54	14	275	110	130	150	13,5	25	25	115	132,5	592,7	1608,1	536	7848	7108	3554
SFB-63-20-6-3	U	63	20	6,35	57,5	3	94	95	115	135	13,5	20	25	100	117,5	53,7	158,7	575	1491	1381	691
SFB-63-20-6-4	U	63	20	6,35	57,5	4	114	95	115	135	13,5	20	25	100	117,5	69,2	214,5	575	1965	1822	911
SFB-63-20-6-5	U	63	20	6,35	57,5	5	134	95	115	135	13,5	20	25	100	117,5	86,2	280,8	575	2507	2321	1161
SFB-63-20-6-6	U	63	20	6,35	57,5	6	154	95	115	135	13,5	20	25	100	117,5	101,4	341,3	575	2989	2768	1384
SFB-63-20-8-3	U	63	20	7,938	56,3	3	100	95	115	135	13,5	20	25	100	117,5	79,7	201,1	560	1591	1460	730
SFB-63-20-8-4	U	63	20	7,938	56,3	4	122	95	115	135	13,5	20	25	100	117,5	102,6	271,1	560	2097	1926	963
SFB-63-20-8-5	U	63	20	7,938	56,3	5	142	95	115	135	13,5	20	25	100	117,5	128,3	356,8	560	2694	2468	1234
SFB-63-20-8-6	U	63	20	7,938	56,3	6	160	95	115	135	13,5	20	25	100	117,5	150,6	432,5	560	3209	2942	1471
SFB-63-20-8-7	U	63	20	7,938	56,3	7	180	95	115	135	13,5	20	25	100	117,5	172,6	509,6	560	3722	3414	1707
SFB-63-20-9-3	S	63	20	9,525	55,9	3	131	95	115	135	13,5	20	25	100	117,5	90	197,3	559	1389	1279	640
SFB-63-20-9-3	U	63	20	9,525	55,2	3	107	105	125	145	13,5	20	25	110	127,5	101,5	236,7	546	1636	1517	759
SFB-63-20-9-3	B	63	20	9,525	55,2	3	99	100	120	140	13,5	20	25	105	122,5	101,5	236,7	546	1636	1505	753
SFB-63-20-9-4	S	63	20	9,525	55,9	4	152	95	115	135	13,5	20	25	100	117,5	115,8	265,6	559	1830	1687	844
SFB-63-20-9-4	U	63	20	9,525	55,2	4	127	105	125	145	13,5	20	25	110	127,5	134,9	334,7	546	2251	2082	1041
SFB-63-20-9-4	B	63	20	9,525	55,2	4	119	100	120	140	13,5	20	25	105	122,5	134,9	334,7	546	2251	2066	1033
SFB-63-20-9-5	S	63	20	9,525	55,9	5	173	95	115	135	13,5	20	25	100	117,5	140,9	335,3	559	2267	2091	1046
SFB-63-20-9-5	U	63	20	9,525	55,2	5	147	105	125	145	13,5	20	25	110	127,5	164,2	422,4	546	2788	2580	1290
SFB-63-20-9-5	B	63	20	9,525	55,2	5	139	100	120	140	13,5	20	25	105	122,5	164,2	422,4	546	2788	2560	1280
SFB-63-20-9-6	U	63	20	9,525	55,2	6	167	105	125	145	13,5	20	25	110	127,5	192,9	511,7	546	3322	3076	1538

IPIRANGA
TMBS
SINGLE NUT

Reference	Recirculation	Nominal diameter	Lead	Ball diameter	Root diameter	Circuits	Dimensions					Dimensions					Loads and rigidity				
							Ln	D1	D4	D6	D5	L7	L1	L8	L9	Cam	Coam	Rsm	Rbt	Rnu	Rnu.ar
SINGLE NUT Ref	S/U/B Tipo	do mm	Ph mm	Dw mm	d3 mm	i units	mm	mm	mm	mm	mm	mm	mm	mm	mm	KN	KN	N/μm	N/μm	N/μm	N/μm
SFB-63-20-9-6	B	63	20	9,525	55,2	6	169	100	120	140	13,5	20	25	105	122,5	192,9	511,7	546	3322	3052	1526
SFB-63-20-9-7	U	63	20	9,525	55,2	7	187	105	125	145	13,5	20	25	110	127,5	221,1	602,4	546	3853	3569	1785
SFB-63-20-9-7	B	63	20	9,525	55,2	7	189	100	120	140	13,5	20	25	105	122,5	221,1	602,4	546	3853	3542	1771
SFB-63-20-9-8	U	63	20	9,525	55,2	8	207	105	125	145	13,5	20	25	110	127,5	248	688,5	546	4376	4055	2028
SFB-63-20-9-8	B	63	20	9,525	55,2	8	209	100	120	140	13,5	20	25	105	122,5	248	688,5	546	4376	4025	2013
SFB-63-20-9-9	U	63	20	9,525	55,2	9	227	105	125	145	13,5	20	25	110	127,5	274,4	774,6	546	4896	4539	2270
SFB-63-20-9-9	B	63	20	9,525	55,2	9	229	100	120	140	13,5	20	25	105	122,5	274,4	774,6	546	4896	4505	2253
SFB-63-20-9-10	B	63	20	9,525	55,2	10	249	100	120	140	13,5	20	25	105	122,5	300,4	860,6	546	5413	4983	2492
SFB-63-20-9-11	B	63	20	9,525	55,2	11	272	100	120	140	13,5	20	25	105	122,5	326,1	946,7	546	5928	5458	2729
SFB-63-20-12-3	B	63	20	12,7	54	3	103	110	130	150	13,5	25	25	115	132,5	154,8	334	536	1792	1646	823
SFB-63-20-12-4	B	63	20	12,7	54	4	123	110	130	150	13,5	25	25	115	132,5	199,1	448,7	536	2361	2171	1086
SFB-63-20-12-5	B	63	20	12,7	54	5	143	110	130	150	13,5	25	25	115	132,5	242,2	565,2	536	2924	2691	1346
SFB-63-20-12-6	B	63	20	12,7	54	6	163	110	130	150	13,5	25	25	115	132,5	284,4	683,2	536	3484	3208	1604
SFB-63-20-12-7	B	63	20	12,7	54	7	193	110	130	150	13,5	25	25	115	132,5	325,8	802,8	536	4039	3720	1860
SFB-63-20-12-8	B	63	20	12,7	54	8	213	110	130	150	13,5	25	25	115	132,5	365,5	917,4	536	4588	4228	2114
SFB-63-20-12-9	B	63	20	12,7	54	9	233	110	130	150	13,5	25	25	115	132,5	404,5	1032,1	536	5133	4732	2366
SFB-63-20-12-10	B	63	20	12,7	54	10	253	110	130	150	13,5	25	25	115	132,5	442,8	1146,8	536	5675	5234	2617
SFB-63-20-12-11	B	63	20	12,7	54	11	268	110	130	150	13,5	25	25	115	132,5	480,6	1261,5	536	6215	5734	2867
SFB-63-20-12-12	B	63	20	12,7	54	12	293	110	130	150	13,5	25	25	115	132,5	518	1376,2	536	6753	6232	3116
SFB-63-20-12-13	B	63	20	12,7	54	13	323	110	130	150	13,5	25	25	115	132,5	554,9	1490,9	536	7288	6728	3364
SFB-63-20-12-14	B	63	20	12,7	54	14	343	110	130	150	13,5	25	25	115	132,5	591,4	1605,5	536	7822	7223	3612
SFB-63-20-12-15	B	63	20	12,7	54	15	361	110	130	150	13,5	25	25	115	132,5	627,6	1720,2	536	8354	7716	3858
SFB-63-20-15-2	B	63	20	15,875	50	2	89	120	140	160	13,5	30	25	125	142,5	147	328,2	477	1291	1189	595
SFB-63-20-15-3	B	63	20	15,875	50	3	109	120	140	160	13,5	30	25	125	142,5	209,4	496	477	1903	1755	878
SFB-63-20-15-4	B	63	20	15,875	50	4	129	120	140	160	13,5	30	25	125	142,5	269,5	666,3	477	2508	2315	1158
SFB-63-20-15-5	B	63	20	15,875	50	5	149	120	140	160	13,5	30	25	125	142,5	328,2	839	477	3107	2870	1435
SFB-63-20-15-6	B	63	20	15,875	50	6	169	120	140	160	13,5	30	25	125	142,5	385,7	1014	477	3703	3422	1711
SFB-63-20-15-7	B	63	20	15,875	50	7	189	120	140	160	13,5	30	25	125	142,5	442,4	1191,3	477	4295	3971	1986
SFB-63-20-15-8	B	63	20	15,875	50	8	209	120	140	160	13,5	30	25	125	142,5	496,3	1361,5	477	4879	4513	2257
SFB-63-20-15-9	B	63	20	15,875	50	9	239	120	140	160	13,5	30	25	125	142,5	549,2	1531,7	477	5458	5051	2526
SFB-63-20-15-10	B	63	20	15,875	50	10	259	120	140	160	13,5	30	25	125	142,5	601,2	1701,9	477	6035	5587	2794
SFB-63-20-15-11	B	63	20	15,875	50	11	274	120	140	160	13,5	30	25	125	142,5	652,6	1872	477	6609	6120	3060
SFB-63-20-15-12	B	63	20	15,875	50	12	299	120	140	160	13,5	30	25	125	142,5	703,3	2042,2	477	7180	6651	3326
SFB-63-20-15-13	B	63	20	15,875	50	13	319	120	140	160	13,5	30	25	125	142,5	753,4	2212,4	477	7750	7181	3591
SFB-63-20-15-14	B	63	20	15,875	50	14	339	120	140	160	13,5	30	25	125	142,5	803	2382,6	477	8317	7708	3854
SFB-63-20-15-15	B	63	20	15,875	50	15	357	120	140	160	13,5	30	25	125	142,5	852,1	2552,8	477	8882	8233	4117
SFB-63-25-6-2	U	63	25	6,35	57,5	2	86	95	115	135	13,5	20	25	100	117,5	36,7	100,5	575	975	918	459
SFB-63-25-6-3	U	63	25	6,35	57,5	3	111	95	115	135	13,5	20	25	100	117,5	53,5	158,2	575	1482	1394	697
SFB-63-25-6-4	U	63	25	6,35	57,5	4	136	95	115	135	13,5	20	25	100	117,5	69	213,9	575	1954	1839	920
SFB-63-25-6-5	U	63	25	6,35	57,5	5	161	95	115	135	13,5	20	25	100	117,5	85,9	280	575	2493	2343	1172
SFB-63-25-6-6	U	63	25	6,35	57,5	6	186	95	115	135	13,5	20	25	100	117,5	101	340,4	575	2971	2794	1397
SFB-63-25-8-2	U	63	25	7,938	56,3	2	89	95	115	135	13,5	20	25	100	117,5	54,2	126,7	560	1034	967	484

IPIRANGA
TMBS
SINGLE NUT

Reference	Recirculation	Nominal diameter	Lead	Ball diameter	Root diameter	Circuits	Dimensions					Dimensions					Loads and rigidity				
							Ln	D1	D4	D6	D5	L7	L1	L8	L9	Cam	Coam	Rsm	Rbt	Rnu	Rnu.ar
SINGLE NUT Ref	S/U/B Tipo	do mm	Ph mm	Dw mm	d3 mm	i units	mm	mm	mm	mm	mm	mm	mm	mm	mm	KN	KN	N/μm	N/μm	N/μm	N/μm
SFB-63-25-8-3	U	63	25	7,938	56,3	3	114	95	115	135	13,5	20	25	100	117,5	79,4	200,6	560	1582	1477	739
SFB-63-25-8-4	U	63	25	7,938	56,3	4	139	95	115	135	13,5	20	25	100	117,5	102,2	270,4	560	2085	1947	974
SFB-63-25-8-5	U	63	25	7,938	56,3	5	164	95	115	135	13,5	20	25	100	117,5	127,8	355,8	560	2678	2496	1248
SFB-63-25-8-6	U	63	25	7,938	56,3	6	189	95	115	135	13,5	20	25	100	117,5	150,1	431,4	560	3191	2976	1488
SFB-63-25-8-7	U	63	25	7,938	56,3	7	214	95	115	135	13,5	20	25	100	117,5	172	508,3	560	3701	3453	1727
SFB-63-25-9-2	U	63	25	9,525	55,2	2	95	105	125	145	13,5	20	25	110	127,5	71	155,7	546	1103	1037	519
SFB-63-25-9-3	U	63	25	9,525	55,2	3	120	105	125	145	13,5	20	25	110	127,5	101,1	236	546	1626	1530	765
SFB-63-25-9-3	B	63	25	9,525	55,2	3	114	100	120	140	13,5	20	25	105	122,5	101,1	236	546	1626	1521	761
SFB-63-25-9-4	U	63	25	9,525	55,2	4	145	105	125	145	13,5	20	25	110	127,5	134,4	333,8	546	2238	2102	1051
SFB-63-25-9-4	B	63	25	9,525	55,2	4	139	100	120	140	13,5	20	25	105	122,5	134,4	333,8	546	2238	2089	1045
SFB-63-25-9-5	U	63	25	9,525	55,2	5	170	105	125	145	13,5	20	25	110	127,5	163,6	421,3	546	2773	2606	1303
SFB-63-25-9-5	B	63	25	9,525	55,2	5	164	100	120	140	13,5	20	25	105	122,5	163,6	421,3	546	2773	2590	1295
SFB-63-25-9-6	U	63	25	9,525	55,2	6	195	105	125	145	13,5	20	25	110	127,5	192,2	510,3	546	3304	3106	1553
SFB-63-25-9-6	B	63	25	9,525	55,2	6	201	100	120	140	13,5	20	25	105	122,5	192,2	510,3	546	3304	3087	1544
SFB-63-25-9-7	U	63	25	9,525	55,2	7	220	105	125	145	13,5	20	25	110	127,5	220,3	600,8	546	3831	3603	1802
SFB-63-25-9-7	B	63	25	9,525	55,2	7	226	100	120	140	13,5	20	25	105	122,5	220,3	600,8	546	3831	3581	1791
SFB-63-25-9-8	U	63	25	9,525	55,2	8	245	105	125	145	13,5	20	25	110	127,5	247,1	686,7	546	4351	4094	2047
SFB-63-25-9-8	B	63	25	9,525	55,2	8	251	100	120	140	13,5	20	25	105	122,5	247,1	686,7	546	4351	4069	2035
SFB-63-25-9-9	B	63	25	9,525	55,2	9	270	100	120	140	13,5	20	25	105	122,5	273,4	772,5	546	4868	4554	2277
SFB-63-25-9-10	B	63	25	9,525	55,2	10	301	100	120	140	13,5	20	25	105	122,5	299,4	858,3	546	5383	5037	2519
SFB-63-25-9-11	B	63	25	9,525	55,2	11	339	100	120	140	13,5	20	25	105	122,5	324,9	944,2	546	5895	5518	2759
SFB-63-25-9-12	B	63	25	9,525	55,2	12	354	100	120	140	13,5	20	25	105	122,5	350,2	1030	546	6405	5996	2998
SFB-63-25-12-3	B	63	25	12,7	54	3	118	110	130	150	13,5	25	25	115	132,5	154,3	333,1	536	1783	1666	833
SFB-63-25-12-4	B	63	25	12,7	54	4	143	110	130	150	13,5	25	25	115	132,5	198,5	447,6	536	2348	2195	1098
SFB-63-25-12-5	B	63	25	12,7	54	5	168	110	130	150	13,5	25	25	115	132,5	241,4	563,7	536	2909	2721	1361
SFB-63-25-12-6	B	63	25	12,7	54	6	193	110	130	150	13,5	25	25	115	132,5	283,4	681,5	536	3465	3243	1622
SFB-63-25-12-7	B	63	25	12,7	54	7	231	110	130	150	13,5	25	25	115	132,5	324,8	800,8	536	4018	3762	1881
SFB-63-25-12-8	B	63	25	12,7	54	8	256	110	130	150	13,5	25	25	115	132,5	364,3	915,1	536	4564	4275	2138
SFB-63-25-12-9	B	63	25	12,7	54	9	275	110	130	150	13,5	25	25	115	132,5	403,1	1029,5	536	5106	4784	2392
SFB-63-25-12-10	B	63	25	12,7	54	10	306	110	130	150	13,5	25	25	115	132,5	441,4	1143,9	536	5646	5291	2646
SFB-63-25-12-11	B	63	25	12,7	54	11	331	110	130	150	13,5	25	25	115	132,5	479,1	1258,3	536	6183	5796	2898
SFB-63-25-12-12	B	63	25	12,7	54	12	354	110	130	150	13,5	25	25	115	132,5	516,3	1372,7	536	6717	6298	3149
SFB-63-25-15-3	B	63	25	15,875	50	3	124	120	140	160	13,5	30	25	125	142,5	208,7	494,8	477	1893	1774	887
SFB-63-25-15-4	B	63	25	15,875	50	4	149	120	140	160	13,5	30	25	125	142,5	268,6	664,6	477	2494	2339	1170
SFB-63-25-15-5	B	63	25	15,875	50	5	174	120	140	160	13,5	30	25	125	142,5	327,1	836,8	477	3091	2901	1451
SFB-63-25-15-6	B	63	25	15,875	50	6	199	120	140	160	13,5	30	25	125	142,5	384,4	1011,4	477	3683	3457	1729
SFB-63-25-15-7	B	63	25	15,875	50	7	224	120	140	160	13,5	30	25	125	142,5	440,9	1188,2	477	4272	4012	2006
SFB-63-25-15-8	B	63	25	15,875	50	8	249	120	140	160	13,5	30	25	125	142,5	494,6	1358	477	4852	4558	2279
SFB-63-25-15-9	B	63	25	15,875	50	9	287	120	140	160	13,5	30	25	125	142,5	547,3	1527,7	477	5429	5102	2551
SFB-63-25-15-10	B	63	25	15,875	50	10	312	120	140	160	13,5	30	25	125	142,5	599,2	1697,5	477	6002	5642	2821
SFB-63-25-15-11	B	63	25	15,875	50	11	337	120	140	160	13,5	30	25	125	142,5	650,4	1867,2	477	6573	6180	3090
SFB-63-25-15-12	B	63	25	15,875	50	12	360	120	140	160	13,5	30	25	125	142,5	701	2037	477	7142	6717	3359

IPIRANGA
TMBS
SINGLE NUT

Reference	Recirculation	Nominal diameter	Lead	Ball diameter	Root diameter	Circuits	Dimensions					Dimensions					Loads and rigidity					
							Ln	D1	D4	D6	D5	L7	L1	L8	L9	Cam	Coam	Rsm	Rbt	Rnu	Rnu.ar	
SINGLE NUT Ref	S/U/B Tipo	do mm	Ph mm	Dw mm	d3 mm	i units	mm	mm	mm	mm	mm	mm	mm	mm	mm	KN	KN	N/μm	N/μm	N/μm	N/μm	
SFB-63-30-6-3	U	63	30	6,35	57,5	3	125	95	115		135	13,5	20	25	100	117,5	53,3	157,7	575	1472	1399	700
SFB-63-30-6-4	U	63	30	6,35	57,5	4	155	95	115		135	13,5	20	25	100	117,5	68,7	213,2	575	1940	1845	923
SFB-63-30-6-5	U	63	30	6,35	57,5	5	185	95	115		135	13,5	20	25	100	117,5	85,5	279,1	575	2475	2351	1176
SFB-63-30-6-6	U	63	30	6,35	57,5	6	215	95	115		135	13,5	20	25	100	117,5	100,6	339,2	575	2951	2804	1402
SFB-63-30-8-3	U	63	30	7,938	56,3	3	127	95	115		135	13,5	20	25	100	117,5	79,1	199,9	560	1572	1484	742
SFB-63-30-8-4	U	63	30	7,938	56,3	4	157	95	115		135	13,5	20	25	100	117,5	101,8	269,5	560	2071	1957	979
SFB-63-30-8-5	U	63	30	7,938	56,3	5	187	95	115		135	13,5	20	25	100	117,5	127,3	354,6	560	2660	2509	1255
SFB-63-30-8-6	U	63	30	7,938	56,3	6	217	95	115		135	13,5	20	25	100	117,5	149,5	429,9	560	3169	2990	1495
SFB-63-30-8-7	U	63	30	7,938	56,3	7	247	95	115		135	13,5	20	25	100	117,5	171,3	506,6	560	3675	3469	1735
SFB-63-30-9-3	U	63	30	9,525	55,2	3	134	105	125		145	13,5	20	25	110	127,5	100,7	235,3	546	1616	1537	769
SFB-63-30-9-3	B	63	30	9,525	55,2	3	129	100	120		140	13,5	20	25	105	122,5	100,7	235,3	546	1616	1529	765
SFB-63-30-9-4	U	63	30	9,525	55,2	4	164	105	125		145	13,5	20	25	110	127,5	133,9	332,7	546	2223	2110	1055
SFB-63-30-9-4	B	63	30	9,525	55,2	4	159	100	120		140	13,5	20	25	105	122,5	133,9	332,7	546	2223	2099	1050
SFB-63-30-9-5	U	63	30	9,525	55,2	5	194	105	125		145	13,5	20	25	110	127,5	162,9	419,9	546	2754	2615	1308
SFB-63-30-9-5	B	63	30	9,525	55,2	5	189	100	120		140	13,5	20	25	105	122,5	162,9	419,9	546	2754	2602	1301
SFB-63-30-9-6	U	63	30	9,525	55,2	6	224	105	125		145	13,5	20	25	110	127,5	191,4	508,7	546	3281	3117	1559
SFB-63-30-9-6	B	63	30	9,525	55,2	6	234	100	120		140	13,5	20	25	105	122,5	191,4	508,7	546	3281	3101	1551
SFB-63-30-9-7	U	63	30	9,525	55,2	7	254	105	125		145	13,5	20	25	110	127,5	219,4	598,9	546	3806	3617	1809
SFB-63-30-9-7	B	63	30	9,525	55,2	7	264	100	120		140	13,5	20	25	105	122,5	219,4	598,9	546	3806	3598	1799
SFB-63-30-12-3	B	63	30	12,7	54	3	133	110	130		150	13,5	25	25	115	132,5	153,7	332,1	536	1771	1674	837
SFB-63-30-12-4	B	63	30	12,7	54	4	163	110	130		150	13,5	25	25	115	132,5	197,7	446,3	536	2333	2206	1103
SFB-63-30-12-5	B	63	30	12,7	54	5	193	110	130		150	13,5	25	25	115	132,5	240,4	562	536	2890	2734	1367
SFB-63-30-12-6	B	63	30	12,7	54	6	223	110	130		150	13,5	25	25	115	132,5	282,3	679,4	536	3443	3258	1629
SFB-63-30-12-7	B	63	30	12,7	54	7	268	110	130		150	13,5	25	25	115	132,5	323,5	798,3	536	3993	3780	1890
SFB-63-30-15-3	B	63	30	15,875	50	3	139	120	140		160	13,5	30	25	125	142,5	207,9	493,2	477	1881	1782	891
SFB-63-30-15-4	B	63	30	15,875	50	4	169	120	140		160	13,5	30	25	125	142,5	267,6	662,5	477	2478	2349	1175
SFB-63-30-15-5	B	63	30	15,875	50	5	199	120	140		160	13,5	30	25	125	142,5	325,7	834,2	477	3070	2912	1456
SFB-63-30-15-6	B	63	30	15,875	50	6	229	120	140		160	13,5	30	25	125	142,5	382,9	1008,2	477	3659	3472	1736
SFB-63-30-15-7	B	63	30	15,875	50	7	259	120	140		160	13,5	30	25	125	142,5	439,2	1184,5	477	4245	4029	2015
SFB-63-30-15-8	B	63	30	15,875	50	8	304	120	140		160	13,5	30	25	125	142,5	492,6	1353,8	477	4821	4577	2289
SFB-63-30-15-9	B	63	30	15,875	50	9	334	120	140		160	13,5	30	25	125	142,5	545,1	1523	477	5393	5121	2561
SFB-63-30-15-10	B	63	30	15,875	50	10	362	120	140		160	13,5	30	25	125	142,5	596,8	1692,2	477	5963	5664	2832
SFB-63-40-6-3	U	63	40	6,35	57,5	3	153	95	115		135	13,5	20	25	100	117,5	52,7	156,4	575	1446	1393	697
SFB-63-40-6-4	U	63	40	6,35	57,5	4	193	95	115		135	13,5	20	25	100	117,5	67,9	211,4	575	1906	1836	918
SFB-63-40-6-5	U	63	40	6,35	57,5	5	233	95	115		135	13,5	20	25	100	117,5	84,6	276,8	575	2432	2341	1171
SFB-63-40-8-3	U	63	40	7,938	56,3	3	155	95	115		135	13,5	20	25	100	117,5	78,3	198,3	560	1545	1481	741
SFB-63-40-8-4	U	63	40	7,938	56,3	4	195	95	115		135	13,5	20	25	100	117,5	100,7	267,3	560	2035	1951	976
SFB-63-40-8-5	U	63	40	7,938	56,3	5	235	95	115		135	13,5	20	25	100	117,5	125,9	351,7	560	2614	2503	1252
SFB-63-40-9-2	B	63	40	9,525	55,2	2	119	100	120		140	13,5	20	25	105	122,5	70	154	546	1078	1034	517
SFB-63-40-9-3	U	63	40	9,525	55,2	3	160	105	125		145	13,5	20	25	110	127,5	99,6	233,4	546	1588	1530	765
SFB-63-40-9-3	B	63	40	9,525	55,2	3	159	100	120		140	13,5	20	25	105	122,5	99,6	233,4	546	1588	1524	762
SFB-63-40-9-4	U	63	40	9,525	55,2	4	200	105	125		145	13,5	20	25	110	127,5	132,5	330	546	2185	2102	1051

IPIRANGA
TMBS
SINGLE NUT

Reference	Recirculation	Nominal diameter	Lead	Ball diameter	Root diameter	Circuits	Dimensions					Dimensions					Loads and rigidity				
							Ln	D1	D4	D6	D5	L7	L1	L8	L9	Cam	Coam	Rsm	Rbt	Rnu	Rnu.ar
SINGLE NUT Ref	S/U/B Tipo	do mm	Ph mm	Dw mm	d3 mm	i units	mm	mm	mm	mm	mm	mm	mm	mm	mm	KN	KN	N/μm	N/μm	N/μm	N/μm
SFB-63-40-9-4	B	63	40	9,525	55,2	4	199	100	120	140	13,5	20	25	105	122,5	132,5	330	546	2185	2094	1047
SFB-63-40-9-5	U	63	40	9,525	55,2	5	240	105	125	145	13,5	20	25	110	127,5	161,2	416,5	546	2707	2605	1303
SFB-63-40-9-5	B	63	40	9,525	55,2	5	239	100	120	140	13,5	20	25	105	122,5	161,2	416,5	546	2707	2595	1298
SFB-63-40-12-2	B	63	40	12,7	54	2	123	110	130	150	13,5	25	25	115	132,5	106,9	218	536	1183	1134	567
SFB-63-40-12-3	B	63	40	12,7	54	3	163	110	130	150	13,5	25	25	115	132,5	152,2	329,6	536	1743	1671	836
SFB-63-40-12-4	B	63	40	12,7	54	4	203	110	130	150	13,5	25	25	115	132,5	195,7	442,8	536	2296	2203	1102
SFB-63-40-12-5	B	63	40	12,7	54	5	243	110	130	150	13,5	25	25	115	132,5	238,1	557,7	536	2844	2729	1365
SFB-63-40-15-2	B	63	40	15,875	50	2	129	120	140	160	13,5	30	25	125	142,5	144,4	323,8	477	1255	1205	603
SFB-63-40-15-3	B	63	40	15,875	50	3	169	120	140	160	13,5	30	25	125	142,5	205,8	489,4	477	1850	1778	889
SFB-63-40-15-4	B	63	40	15,875	50	4	209	120	140	160	13,5	30	25	125	142,5	480,7	1314,7	477	2973	2833	1417
SFB-63-40-15-5	B	63	40	15,875	50	5	249	120	140	160	13,5	30	25	125	142,5	683,7	1700,8	477	4075	3866	1933
SFB-63-40-15-6	B	63	40	15,875	50	6	309	120	140	160	13,5	30	25	125	142,5	803,6	2057,7	477	4856	4608	2304
SFB-63-40-15-7	B	63	40	15,875	50	7	349	120	140	160	13,5	30	25	125	142,5	434,7	1175,3	477	4175	4016	2008
SFB-63-50-6-3	U	63	50	6,35	57,5	3	182	95	115	135	13,5	20	25	100	117,5	52	154,7	575	1414	1373	687
SFB-63-50-6-4	U	63	50	6,35	57,5	4	232	95	115	135	13,5	20	25	100	117,5	67	209,2	575	1864	1810	905
SFB-63-50-8-3	U	63	50	7,938	56,3	3	185	95	115	135	13,5	20	25	100	117,5	77,2	196,2	560	1511	1461	731
SFB-63-50-8-4	U	63	50	7,938	56,3	4	235	95	115	135	13,5	20	25	100	117,5	99,3	264,5	560	1991	1926	963
SFB-63-50-9-2	B	63	50	9,525	55,2	2	139	100	120	140	13,5	20	25	105	122,5	69	152,4	546	1054	1020	510
SFB-63-50-9-3	B	63	50	9,525	55,2	3	189	100	120	140	13,5	20	25	105	122,5	98,3	231	546	1554	1505	753
SFB-63-50-9-4	B	63	50	9,525	55,2	4	239	100	120	140	13,5	20	25	105	122,5	130,7	326,6	546	2139	2069	1035
SFB-63-50-12-2	B	63	50	12,7	54	2	143	110	130	150	13,5	25	25	115	132,5	105,6	215,9	536	1159	1121	561
SFB-63-50-12-3	B	63	50	12,7	54	3	193	110	130	150	13,5	25	25	115	132,5	150,3	326,4	536	1708	1653	827
SFB-63-50-12-4	B	63	50	12,7	54	4	243	110	130	150	13,5	25	25	115	132,5	193,3	438,6	536	2250	2178	1089
SFB-63-50-15-2	B	63	50	15,875	50	2	149	120	140	160	13,5	30	25	125	142,5	142,6	320,6	477	1229	1191	596
SFB-63-50-15-3	B	63	50	15,875	50	3	199	120	140	160	13,5	30	25	125	142,5	203,1	484,5	477	1812	1756	878
SFB-63-50-15-4	B	63	50	15,875	50	4	249	120	140	160	13,5	30	25	125	142,5	261,4	650,9	477	2387	2314	1157
SFB-63-50-15-5	B	63	50	15,875	50	5	324	120	140	160	13,5	30	25	125	142,5	318,3	819,5	477	2958	2868	1434
SFB-70-10-6-3	U	70	10	6,35	64,5	3	66	105	123	140	11	20	25	110	125	56,1	175,8	719	1622	1384	692
SFB-70-10-6-4	U	70	10	6,35	64,5	4	76	105	123	140	11	20	25	110	125	73,7	244,9	719	2196	1870	935
SFB-70-10-6-5	U	70	10	6,35	64,5	5	86	105	123	140	11	20	25	110	125	89,8	310,2	719	2721	2319	1160
SFB-70-16-8-3	U	70	16	7,938	63,3	3	89	105	125	145	13,5	20	25	110	127,5	84,3	227,7	703	1761	1568	784
SFB-70-16-8-4	U	70	16	7,938	63,3	4	105	105	125	145	13,5	20	25	110	127,5	108,5	306,9	703	2320	2069	1035
SFB-70-16-8-5	U	70	16	7,938	63,3	5	121	105	125	145	13,5	20	25	110	127,5	132	387,7	703	2874	2565	1283
SFB-70-16-8-6	U	70	16	7,938	63,3	6	137	105	125	145	13,5	20	25	110	127,5	158,8	487,4	703	3536	3147	1574
SFB-70-16-9-3	B	70	16	9,525	62,2	3	87	110	130	150	13,5	25	25	115	132,5	109,2	274,1	687	1847	1646	823
SFB-70-16-9-4	B	70	16	9,525	62,2	4	103	110	130	150	13,5	25	25	115	132,5	140,5	369,1	687	2433	2172	1086
SFB-70-16-9-5	B	70	16	9,525	62,2	5	127	110	130	150	13,5	25	25	115	132,5	170,9	465,9	687	3014	2693	1347
SFB-70-16-9-6	B	70	16	9,525	62,2	6	143	110	130	150	13,5	25	25	115	132,5	200,7	564,3	687	3591	3210	1605
SFB-70-16-9-7	B	70	16	9,525	62,2	7	159	110	130	150	13,5	25	25	115	132,5	230,1	664,3	687	4165	3726	1863
SFB-70-16-9-8	B	70	16	9,525	62,2	8	175	110	130	150	13,5	25	25	115	132,5	258	759,2	687	4730	4234	2117
SFB-70-16-9-9	B	70	16	9,525	62,2	9	199	110	130	150	13,5	25	25	115	132,5	285,6	854,1	687	5292	4740	2370
SFB-70-16-9-10	B	70	16	9,525	62,2	10	215	110	130	150	13,5	25	25	115	132,5	312,6	949	687	5851	5243	2622

IPIRANGA
TMBS
SINGLE NUT

Reference	Recirculation	Nominal diameter	Lead	Ball diameter	Root diameter	Circuits	Dimensions					Dimensions					Loads and rigidity				
							Ln	D1	D4	D6	D5	L7	L1	L8	L9	Cam	Coam	Rsm	Rbt	Rnu	Rnu.ar
SINGLE NUT Ref	S/U/B Tipo	do mm	Ph mm	Dw mm	d3 mm	i units	mm	mm	mm	mm	mm	mm	mm	mm	mm	KN	KN	N/μm	N/μm	N/μm	N/μm
SFB-70-16-9-11	B	70	16	9,525	62,2	11	231	110	130	150	13,5	25	25	115	132,5	339,3	1043,9	687	6408	5745	2873
SFB-70-16-9-12	B	70	16	9,525	62,2	12	247	110	130	150	13,5	25	25	115	132,5	365,7	1138,8	687	6962	6244	3122
SFB-70-16-9-13	B	70	16	9,525	62,2	13	271	110	130	150	13,5	25	25	115	132,5	391,8	1233,7	687	7514	6742	3371
SFB-70-16-12-2	B	70	16	12,7	61	2	75	120	140	160	13,5	25	25	125	142,5	111,6	236,7	676	1282	1146	573
SFB-70-16-12-3	B	70	16	12,7	61	3	91	120	140	160	13,5	25	25	125	142,5	158,8	357,8	676	1889	1692	846
SFB-70-16-12-4	B	70	16	12,7	61	4	107	120	140	160	13,5	25	25	125	142,5	212,1	509	676	2618	2335	1168
SFB-70-16-12-5	B	70	16	12,7	61	5	123	120	140	160	13,5	25	25	125	142,5	258	641	676	3242	2894	1447
SFB-70-16-12-6	B	70	16	12,7	61	6	139	120	140	160	13,5	25	25	125	142,5	302,8	774,8	676	3862	3450	1725
SFB-70-16-12-7	B	70	16	12,7	61	7	163	120	140	160	13,5	25	25	125	142,5	346,9	910,4	676	4478	4003	2002
SFB-70-16-12-8	B	70	16	12,7	61	8	179	120	140	160	13,5	25	25	125	142,5	389,1	1040,4	676	5086	4549	2275
SFB-70-16-12-9	B	70	16	12,7	61	9	195	120	140	160	13,5	25	25	125	142,5	430,6	1170,5	676	5691	5093	2547
SFB-70-16-12-10	B	70	16	12,7	61	10	211	120	140	160	13,5	25	25	125	142,5	471,4	1300,5	676	6292	5634	2817
SFB-70-16-12-11	B	70	16	12,7	61	11	227	120	140	160	13,5	25	25	125	142,5	511,7	1430,6	676	6890	6172	3086
SFB-70-16-12-12	B	70	16	12,7	61	12	243	120	140	160	13,5	25	25	125	142,5	551,4	1560,6	676	7486	6709	3355
SFB-70-16-12-13	B	70	16	12,7	61	13	267	120	140	160	13,5	25	25	125	142,5	590,7	1690,7	676	8080	7244	3622
SFB-70-16-12-14	B	70	16	12,7	61	14	275	120	140	160	13,5	25	25	125	142,5	629,6	1820,7	676	8671	7777	3889
SFB-70-20-8-3	U	70	20	7,938	63,3	3	100	105	125	145	13,5	20	25	110	127,5	84,2	227,3	703	1756	1599	800
SFB-70-20-8-4	U	70	20	7,938	63,3	4	120	105	125	145	13,5	20	25	110	127,5	108,3	306,5	703	2313	2109	1055
SFB-70-20-8-5	U	70	20	7,938	63,3	5	140	105	125	145	13,5	20	25	110	127,5	131,7	387,1	703	2865	2614	1307
SFB-70-20-8-6	U	70	20	7,938	63,3	6	160	105	125	145	13,5	20	25	110	127,5	158,5	486,7	703	3526	3210	1605
SFB-70-20-9-3	U	70	20	9,525	62,2	3	108	110	130	150	13,5	25	25	115	132,5	105,8	261,8	687	1770	1619	810
SFB-70-20-9-3	B	70	20	9,525	62,2	3	99	110	130	150	13,5	25	25	115	132,5	109	273,7	687	1842	1679	840
SFB-70-20-9-4	U	70	20	9,525	62,2	4	128	110	130	150	13,5	25	25	115	132,5	140,2	368,6	687	2426	2214	1107
SFB-70-20-9-4	B	70	20	9,525	62,2	4	119	110	130	150	13,5	25	25	115	132,5	140,2	368,6	687	2426	2214	1107
SFB-70-20-9-5	U	70	20	9,525	62,2	5	148	110	130	150	13,5	25	25	115	132,5	170,6	465,2	687	3005	2744	1372
SFB-70-20-9-5	B	70	20	9,525	62,2	5	149	110	130	150	13,5	25	25	115	132,5	170,6	465,2	687	3005	2744	1372
SFB-70-20-9-6	U	70	20	9,525	62,2	6	168	110	130	150	13,5	25	25	115	132,5	200,4	563,5	687	3581	3272	1636
SFB-70-20-9-6	B	70	20	9,525	62,2	6	169	110	130	150	13,5	25	25	115	132,5	200,4	563,5	687	3581	3272	1636
SFB-70-20-9-7	U	70	20	9,525	62,2	7	188	110	130	150	13,5	25	25	115	132,5	229,6	663,4	687	4152	3795	1898
SFB-70-20-9-7	B	70	20	9,525	62,2	7	189	110	130	150	13,5	25	25	115	132,5	229,6	663,4	687	4152	3795	1898
SFB-70-20-9-8	U	70	20	9,525	62,2	8	208	110	130	150	13,5	25	25	115	132,5	257,6	758,1	687	4716	4313	2157
SFB-70-20-9-8	B	70	20	9,525	62,2	8	209	110	130	150	13,5	25	25	115	132,5	257,6	758,1	687	4716	4313	2157
SFB-70-20-9-9	B	70	20	9,525	62,2	9	239	110	130	150	13,5	25	25	115	132,5	285	852,9	687	5276	4827	2414
SFB-70-20-9-10	B	70	20	9,525	62,2	10	259	110	130	150	13,5	25	25	115	132,5	312,1	947,7	687	5834	5340	2670
SFB-70-20-9-11	B	70	20	9,525	62,2	11	269	110	130	150	13,5	25	25	115	132,5	338,7	1042,4	687	6389	5850	2925
SFB-70-20-12-3	B	70	20	12,7	61	3	103	120	140	160	13,5	25	25	125	142,5	158,6	357,3	676	1884	1724	862
SFB-70-20-12-4	B	70	20	12,7	61	4	123	120	140	160	13,5	25	25	125	142,5	211,8	508,3	676	2611	2381	1191
SFB-70-20-12-5	B	70	20	12,7	61	5	143	120	140	160	13,5	25	25	125	142,5	257,5	640,1	676	3233	2950	1475
SFB-70-20-12-6	B	70	20	12,7	61	6	163	120	140	160	13,5	25	25	125	142,5	302,3	773,8	676	3851	3516	1758
SFB-70-20-12-7	B	70	20	12,7	61	7	193	120	140	160	13,5	25	25	125	142,5	346,3	909,1	676	4466	4080	2040
SFB-70-20-12-8	B	70	20	12,7	61	8	213	120	140	160	13,5	25	25	125	142,5	388,4	1039	676	5072	4636	2318
SFB-70-20-12-9	B	70	20	12,7	61	9	233	120	140	160	13,5	25	25	125	142,5	429,8	1168,9	676	5675	5189	2595

IPIRANGA
TMBS
SINGLE NUT

Reference	Recirculation	Nominal diameter	Lead	Ball diameter	Root diameter	Circuits	Dimensions					Dimensions					Loads and rigidity				
							Ln	D1	D4	D6	D5	L7	L1	L8	L9	Cam	Coam	Rsm	Rbt	Rnu	Rnu.ar
SINGLE NUT Ref	S/U/B Tipo	do mm	Ph mm	Dw mm	d3 mm	i units	mm	mm	mm	mm	mm	mm	mm	mm	mm	KN	KN	N/μm	N/μm	N/μm	N/μm
SFB-70-20-12-10	B	70	20	12,7	61	10	253	120	140	160	13,5	25	25	125	142,5	470,6	1298,8	676	6274	5739	2870
SFB-70-20-12-11	B	70	20	12,7	61	11	268	120	140	160	13,5	25	25	125	142,5	510,8	1428,7	676	6871	6288	3144
SFB-70-25-8-2	U	70	25	7,938	63,3	2	89	105	125	145	13,5	20	25	110	127,5	57,5	144	703	1147	1066	533
SFB-70-25-8-3	U	70	25	7,938	63,3	3	114	105	125	145	13,5	20	25	110	127,5	83,9	226,8	703	1748	1622	811
SFB-70-25-8-4	U	70	25	7,938	63,3	4	139	105	125	145	13,5	20	25	110	127,5	108	305,8	703	2303	2138	1069
SFB-70-25-8-5	U	70	25	7,938	63,3	5	164	105	125	145	13,5	20	25	110	127,5	131,4	386,3	703	2852	2650	1325
SFB-70-25-8-6	U	70	25	7,938	63,3	6	189	105	125	145	13,5	20	25	110	127,5	158	485,6	703	3509	3254	1627
SFB-70-25-9-2	U	70	25	9,525	62,2	2	96	110	130	150	13,5	25	25	115	132,5	74,1	172,4	687	1195	1111	556
SFB-70-25-9-3	U	70	25	9,525	62,2	3	121	110	130	150	13,5	25	25	115	132,5	105,5	261,3	687	1762	1640	820
SFB-70-25-9-3	B	70	25	9,525	62,2	3	114	110	130	150	13,5	25	25	115	132,5	108,7	273,1	687	1833	1702	851
SFB-70-25-9-4	U	70	25	9,525	62,2	4	146	110	130	150	13,5	25	25	115	132,5	139,8	367,8	687	2415	2244	1122
SFB-70-25-9-4	B	70	25	9,525	62,2	4	139	110	130	150	13,5	25	25	115	132,5	139,8	367,8	687	2415	2244	1122
SFB-70-25-9-5	U	70	25	9,525	62,2	5	171	110	130	150	13,5	25	25	115	132,5	170,1	464,2	687	2992	2781	1391
SFB-70-25-9-5	B	70	25	9,525	62,2	5	176	110	130	150	13,5	25	25	115	132,5	170,1	464,2	687	2992	2781	1391
SFB-70-25-9-6	U	70	25	9,525	62,2	6	196	110	130	150	13,5	25	25	115	132,5	199,8	562,3	687	3564	3315	1658
SFB-70-25-9-6	B	70	25	9,525	62,2	6	201	110	130	150	13,5	25	25	115	132,5	199,8	562,3	687	3564	3315	1658
SFB-70-25-9-7	U	70	25	9,525	62,2	7	221	110	130	150	13,5	25	25	115	132,5	229	661,9	687	4134	3846	1923
SFB-70-25-9-7	B	70	25	9,525	62,2	7	226	110	130	150	13,5	25	25	115	132,5	229	661,9	687	4134	3846	1923
SFB-70-25-9-8	U	70	25	9,525	62,2	8	246	110	130	150	13,5	25	25	115	132,5	256,9	756,5	687	4695	4370	2185
SFB-70-25-9-8	B	70	25	9,525	62,2	8	251	110	130	150	13,5	25	25	115	132,5	256,9	756,5	687	4695	4370	2185
SFB-70-25-9-9	B	70	25	9,525	62,2	9	289	110	130	150	13,5	25	25	115	132,5	284,2	851	687	5252	4890	2445
SFB-70-25-9-10	B	70	25	9,525	62,2	10	314	110	130	150	13,5	25	25	115	132,5	311,2	945,6	687	5808	5410	2705
SFB-70-25-9-11	B	70	25	9,525	62,2	11	339	110	130	150	13,5	25	25	115	132,5	337,8	1040,2	687	6360	5926	2963
SFB-70-25-9-12	B	70	25	9,525	62,2	12	349	110	130	150	13,5	25	25	115	132,5	364	1134,7	687	6910	6440	3220
SFB-70-25-12-2	U	70	25	12,7	61	2	105	120	140	160	13,5	25	25	125	142,5	111,1	235,9	676	1273	1184	592
SFB-70-25-12-3	U	70	25	12,7	61	3	130	120	140	160	13,5	25	25	125	142,5	158,1	356,6	676	1876	1747	874
SFB-70-25-12-3	B	70	25	12,7	61	3	118	120	140	160	13,5	25	25	125	142,5	158,1	356,6	676	1876	1747	874
SFB-70-25-12-4	U	70	25	12,7	61	4	155	120	140	160	13,5	25	25	125	142,5	211,2	507,3	676	2599	2413	1207
SFB-70-25-12-4	B	70	25	12,7	61	4	143	120	140	160	13,5	25	25	125	142,5	211,2	507,3	676	2599	2413	1207
SFB-70-25-12-5	U	70	25	12,7	61	5	180	120	140	160	13,5	25	25	125	142,5	256,8	638,8	676	3219	2991	1496
SFB-70-25-12-5	B	70	25	12,7	61	5	168	120	140	160	13,5	25	25	125	142,5	256,8	638,8	676	3219	2991	1496
SFB-70-25-12-6	U	70	25	12,7	61	6	205	120	140	160	13,5	25	25	125	142,5	301,5	772,2	676	3835	3565	1783
SFB-70-25-12-6	B	70	25	12,7	61	6	193	120	140	160	13,5	25	25	125	142,5	301,5	772,2	676	3835	3565	1783
SFB-70-25-12-7	U	70	25	12,7	61	7	230	120	140	160	13,5	25	25	125	142,5	345,4	907,3	676	4447	4135	2068
SFB-70-25-12-7	B	70	25	12,7	61	7	231	120	140	160	13,5	25	25	125	142,5	345,4	907,3	676	4447	4135	2068
SFB-70-25-12-8	U	70	25	12,7	61	8	255	120	140	160	13,5	25	25	125	142,5	387,4	1036,9	676	5050	4698	2349
SFB-70-25-12-8	B	70	25	12,7	61	8	256	120	140	160	13,5	25	25	125	142,5	387,4	1036,9	676	5050	4698	2349
SFB-70-25-12-9	B	70	25	12,7	61	9	275	120	140	160	13,5	25	25	125	142,5	428,7	1166,5	676	5650	5258	2629
SFB-70-25-12-10	B	70	25	12,7	61	10	306	120	140	160	13,5	25	25	125	142,5	469,3	1296,1	676	6247	5816	2908
SFB-70-25-12-11	B	70	25	12,7	61	11	331	120	140	160	13,5	25	25	125	142,5	509,4	1425,7	676	6841	6370	3185
SFB-70-25-12-12	B	70	25	12,7	61	12	354	120	140	160	13,5	25	25	125	142,5	549	1555,3	676	7433	6924	3462
SFB-70-25-15-3	B	70	25	15,875	57	3	124	130	150	170	13,5	30	25	135	152,5	218	538	609	2023	1887	944

IPIRANGA
TMBS
SINGLE NUT

Reference	Recirculation	Nominal diameter	Lead	Ball diameter	Root diameter	Circuits	Dimensions					Dimensions					Loads and rigidity				
							Ln	D1	D4	D6	D5	L7	L1	L8	L9	Cam	Coam	Rsm	Rbt	Rnu	Rnu.ar
SINGLE NUT Ref	S/U/B Tipo	do mm	Ph mm	Dw mm	d3 mm	i units	mm	mm	mm	mm	mm	mm	mm	mm	mm	KN	KN	N/μm	N/μm	N/μm	N/μm
SFB-70-25-15-4	B	70	25	15,875	57	4	149	130	150	170	13,5	30	25	135	152,5	280,5	722,6	609	2665	2488	1244
SFB-70-25-15-5	B	70	25	15,875	57	5	174	130	150	170	13,5	30	25	135	152,5	341,3	909,8	609	3301	3083	1542
SFB-70-25-15-6	B	70	25	15,875	57	6	199	130	150	170	13,5	30	25	135	152,5	401,1	1099,5	609	3934	3676	1838
SFB-70-25-15-7	B	70	25	15,875	57	7	224	130	150	170	13,5	30	25	135	152,5	459,9	1291,6	609	4563	4265	2133
SFB-70-25-15-8	B	70	25	15,875	57	8	262	130	150	170	13,5	30	25	135	152,5	515,8	1476,1	609	5183	4846	2423
SFB-70-25-15-9	B	70	25	15,875	57	9	287	130	150	170	13,5	30	25	135	152,5	570,8	1660,6	609	5798	5423	2712
SFB-70-25-15-10	B	70	25	15,875	57	10	312	130	150	170	13,5	30	25	135	152,5	625	1845,2	609	6411	5999	3000
SFB-70-25-15-11	B	70	25	15,875	57	11	337	130	150	170	13,5	30	25	135	152,5	678,4	2029,7	609	7021	6571	3286
SFB-70-25-15-12	B	70	25	15,875	57	12	360	130	150	170	13,5	30	25	135	152,5	731,1	2214,2	609	7628	7141	3571
SFB-70-30-8-3	U	70	30	7,938	63,3	3	128	105	125	145	13,5	20	25	110	127,5	83,6	226,2	703	1738	1633	817
SFB-70-30-8-4	U	70	30	7,938	63,3	4	158	105	125	145	13,5	20	25	110	127,5	107,6	305	703	2290	2153	1077
SFB-70-30-8-5	U	70	30	7,938	63,3	5	188	105	125	145	13,5	20	25	110	127,5	130,9	385,2	703	2836	2667	1334
SFB-70-30-8-6	U	70	30	7,938	63,3	6	218	105	125	145	13,5	20	25	110	127,5	157,5	484,3	703	3490	3277	1639
SFB-70-30-9-3	U	70	30	9,525	62,2	3	134	110	130	150	13,5	25	25	115	132,5	105,2	260,6	687	1753	1651	826
SFB-70-30-9-3	B	70	30	9,525	62,2	3	129	110	130	150	13,5	25	25	115	132,5	108,3	272,4	687	1823	1713	857
SFB-70-30-9-4	U	70	30	9,525	62,2	4	164	110	130	150	13,5	25	25	115	132,5	139,4	366,8	687	2402	2259	1130
SFB-70-30-9-4	B	70	30	9,525	62,2	4	159	110	130	150	13,5	25	25	115	132,5	139,4	366,8	687	2402	2259	1130
SFB-70-30-9-5	U	70	30	9,525	62,2	5	194	110	130	150	13,5	25	25	115	132,5	169,6	463	687	2975	2799	1400
SFB-70-30-9-5	B	70	30	9,525	62,2	5	204	110	130	150	13,5	25	25	115	132,5	169,6	463	687	2975	2799	1400
SFB-70-30-9-6	U	70	30	9,525	62,2	6	224	110	130	150	13,5	25	25	115	132,5	199,1	560,8	687	3544	3336	1668
SFB-70-30-9-6	B	70	30	9,525	62,2	6	234	110	130	150	13,5	25	25	115	132,5	199,1	560,8	687	3544	3336	1668
SFB-70-30-9-7	U	70	30	9,525	62,2	7	254	110	130	150	13,5	25	25	115	132,5	228,2	660,2	687	4111	3871	1936
SFB-70-30-9-7	B	70	30	9,525	62,2	7	264	110	130	150	13,5	25	25	115	132,5	228,2	660,2	687	4111	3871	1936
SFB-70-30-12-3	B	70	30	12,7	61	3	133	120	140	160	13,5	25	25	125	142,5	157,6	355,7	676	1866	1758	879
SFB-70-30-12-4	B	70	30	12,7	61	4	163	120	140	160	13,5	25	25	125	142,5	210,5	506	676	2586	2431	1216
SFB-70-30-12-5	B	70	30	12,7	61	5	193	120	140	160	13,5	25	25	125	142,5	256	637,2	676	3202	3011	1506
SFB-70-30-12-6	B	70	30	12,7	61	6	223	120	140	160	13,5	25	25	125	142,5	300,5	770,2	676	3815	3589	1795
SFB-70-30-12-7	B	70	30	12,7	61	7	268	120	140	160	13,5	25	25	125	142,5	344,2	905	676	4423	4163	2082
SFB-70-40-8-3	U	70	40	7,938	63,3	3	156	105	125	145	13,5	20	25	110	127,5	82,9	224,7	703	1713	1635	818
SFB-70-40-8-4	U	70	40	7,938	63,3	4	196	105	125	145	13,5	20	25	110	127,5	106,7	302,9	703	2258	2156	1078
SFB-70-40-8-5	U	70	40	7,938	63,3	5	236	105	125	145	13,5	20	25	110	127,5	129,7	382,6	703	2796	2671	1336
SFB-70-40-9-2	B	70	40	9,525	62,2	2	119	110	130	150	13,5	25	25	115	132,5	75,4	178,6	687	1220	1164	582
SFB-70-40-9-3	U	70	40	9,525	62,2	3	161	110	130	150	13,5	25	25	115	132,5	104,2	258,8	687	1728	1653	827
SFB-70-40-9-3	B	70	40	9,525	62,2	3	159	110	130	150	13,5	25	25	115	132,5	107,4	270,6	687	1798	1717	859
SFB-70-40-9-4	U	70	40	9,525	62,2	4	201	110	130	150	13,5	25	25	115	132,5	138,2	364,4	687	2369	2263	1132
SFB-70-40-9-4	B	70	40	9,525	62,2	4	199	110	130	150	13,5	25	25	115	132,5	138,2	364,4	687	2369	2263	1132
SFB-70-40-9-5	U	70	40	9,525	62,2	5	241	110	130	150	13,5	25	25	115	132,5	168,1	459,9	687	2934	2804	1402
SFB-70-40-9-5	B	70	40	9,525	62,2	5	259	110	130	150	13,5	25	25	115	132,5	168,1	459,9	687	2934	2804	1402
SFB-70-40-12-2	B	70	40	12,7	61	2	123	120	140	160	13,5	25	25	125	142,5	109,9	233,8	676	1250	1195	598
SFB-70-40-12-3	B	70	40	12,7	61	3	163	120	140	160	13,5	25	25	125	142,5	156,3	353,5	676	1841	1761	881
SFB-70-40-12-4	B	70	40	12,7	61	4	203	120	140	160	13,5	25	25	125	142,5	208,8	502,8	676	2552	2437	1219
SFB-70-40-12-5	B	70	40	12,7	61	5	243	120	140	160	13,5	25	25	125	142,5	253,9	633,2	676	3160	3019	1510

IPIRANGA
TMBS
SINGLE NUT

Reference	Recirculation	Nominal diameter	Lead	Ball diameter	Root diameter	Circuits	Dimensions					Dimensions					Loads and rigidity				
							Ln	D1	D4	D6	D5	L7	L1	L8	L9	Cam KN	Coam KN	Rsm N/μm	Rbt N/μm	Rnu N/μm	Rnu.ar N/μm
SINGLE NUT Ref	S/U/B Tipo	do mm	Ph mm	Dw mm	d3 mm	i units	Ln mm	D1 mm	D4 mm	D6 mm	D5 mm	L7 mm	L1 mm	L8 mm	L9 mm	Cam KN	Coam KN	Rsm N/μm	Rbt N/μm	Rnu N/μm	Rnu.ar N/μm
SFB-70-50-8-3	U	70	50	7,938	63,3	3	186	105	125	145	13,5	20	25	110	127,5	82	222,8	703	1683	1622	811
SFB-70-50-8-4	U	70	50	7,938	63,3	4	236	105	125	145	13,5	20	25	110	127,5	105,5	300,3	703	2217	2138	1069
SFB-70-50-9-2	B	70	50	9,525	62,2	2	139	110	130	150	13,5	25	25	115	132,5	74,6	177,1	687	1198	1155	578
SFB-70-50-9-3	U	70	50	9,525	62,2	3	188	110	130	150	13,5	25	25	115	132,5	103,1	256,7	687	1698	1640	820
SFB-70-50-9-3	B	70	50	9,525	62,2	3	189	110	130	150	13,5	25	25	115	132,5	106,2	268,3	687	1766	1703	852
SFB-70-50-9-4	U	70	50	9,525	62,2	4	238	110	130	150	13,5	25	25	115	132,5	136,6	361,3	687	2326	2244	1122
SFB-70-50-9-4	B	70	50	9,525	62,2	4	239	110	130	150	13,5	25	25	115	132,5	136,6	361,3	687	2326	2244	1122
SFB-70-50-12-2	B	70	50	12,7	61	2	143	120	140	160	13,5	25	25	125	142,5	108,7	232	676	1228	1185	593
SFB-70-50-12-3	B	70	50	12,7	61	3	193	120	140	160	13,5	25	25	125	142,5	154,7	350,6	676	1810	1748	874
SFB-70-50-12-4	B	70	50	12,7	61	4	243	120	140	160	13,5	25	25	125	142,5	206,6	498,8	676	2509	2419	1210
SFB-80-10-6-3	U	80	10	6,35	74,5	3	66	115	135	155	13,5	20	16	120	137,5	59,6	203,2	954	1819	1505	753
SFB-80-10-6-4	U	80	10	6,35	74,5	4	76	115	135	155	13,5	20	16	120	137,5	76,7	274,7	954	2397	1988	994
SFB-80-10-7-3	S	80	10	7,144	74,7	3	83	105	125	145	13,5	20	16	110	127,5	73,3	218,9	962	1810	1391	696
SFB-80-10-7-4	S	80	10	7,144	74,6	4	94	105	125	145	13,5	20	16	110	127,5	94,3	295,4	962	2384	1838	919
SFB-80-10-7-5	S	80	10	7,144	74,6	5	105	105	125	145	13,5	20	16	110	127,5	114,7	373,4	962	2953	2281	1141
SFB-80-10-7-6	S	80	10	7,144	74,6	6	116	105	125	145	13,5	20	16	110	127,5	134,7	453,1	962	3518	2722	1361
SFB-80-16-8-3	U	80	16	7,938	73,3	3	89	125	145	165	13,5	25	25	130	147,5	87,5	254,2	934	1915	1711	856
SFB-80-16-8-4	U	80	16	7,938	73,3	4	105	125	145	165	13,5	25	25	130	147,5	115,1	354,1	934	2597	2317	1159
SFB-80-16-8-5	U	80	16	7,938	73,3	5	121	125	145	165	13,5	25	25	130	147,5	140	447,3	934	3217	2872	1436
SFB-80-16-8-6	U	80	16	7,938	73,3	6	137	125	145	165	13,5	25	25	130	147,5	164,3	542,1	934	3832	3424	1712
SFB-80-16-9-3	B	80	16	9,525	72,2	3	87	120	140	160	13,5	25	25	125	142,5	115	311,7	916	2041	1783	892
SFB-80-16-9-4	B	80	16	9,525	72,2	4	103	120	140	160	13,5	25	25	125	142,5	147,9	419,7	916	2689	2352	1176
SFB-80-16-9-5	B	80	16	9,525	72,2	5	127	120	140	160	13,5	25	25	125	142,5	179,9	529,7	916	3331	2917	1459
SFB-80-16-9-6	B	80	16	9,525	72,2	6	143	120	140	160	13,5	25	25	125	142,5	211,2	641,5	916	3968	3478	1739
SFB-80-16-9-7	B	80	16	9,525	72,2	7	159	120	140	160	13,5	25	25	125	142,5	242	755,2	916	4601	4035	2018
SFB-80-16-9-8	B	80	16	9,525	72,2	8	175	120	140	160	13,5	25	25	125	142,5	271,4	863,1	916	5226	4587	2294
SFB-80-16-9-9	B	80	16	9,525	72,2	9	199	120	140	160	13,5	25	25	125	142,5	300,4	970,9	916	5847	5135	2568
SFB-80-16-9-10	B	80	16	9,525	72,2	10	215	120	140	160	13,5	25	25	125	142,5	328,9	1078,8	916	6465	5681	2841
SFB-80-16-9-11	B	80	16	9,525	72,2	11	231	120	140	160	13,5	25	25	125	142,5	356,9	1186,7	916	7079	6224	3112
SFB-80-16-9-12	B	80	16	9,525	72,2	12	247	120	140	160	13,5	25	25	125	142,5	384,7	1294,6	916	7692	6766	3383
SFB-80-16-9-13	B	80	16	9,525	72,2	13	271	120	140	160	13,5	25	25	125	142,5	412,1	1402,5	916	8301	7305	3653
SFB-80-16-9-14	B	80	16	9,525	72,2	14	287	120	140	160	13,5	25	25	125	142,5	439,2	1510,3	916	8909	7844	3922
SFB-80-16-9-15	B	80	16	9,525	72,2	15	303	120	140	160	13,5	25	25	125	142,5	466,1	1618,2	916	9515	8380	4190
SFB-80-16-9-16	B	80	16	9,525	72,2	16	319	120	140	160	13,5	25	25	125	142,5	492,7	1726,1	916	10119	8916	4458
SFB-80-16-12-2	B	80	16	12,7	71	2	75	130	150	170	13,5	30	25	135	152,5	121,4	280,6	903	1471	1284	642
SFB-80-16-12-3	B	80	16	12,7	71	3	91	130	150	170	13,5	30	25	135	152,5	172,7	424,1	903	2167	1896	948
SFB-80-16-12-4	B	80	16	12,7	71	4	107	130	150	170	13,5	30	25	135	152,5	221,9	569,8	903	2854	2500	1250
SFB-80-16-12-5	B	80	16	12,7	71	5	123	130	150	170	13,5	30	25	135	152,5	269,8	717,4	903	3534	3100	1550
SFB-80-16-12-6	B	80	16	12,7	71	6	147	130	150	170	13,5	30	25	135	152,5	316,6	867,1	903	4210	3696	1848
SFB-80-16-12-7	B	80	16	12,7	71	7	163	130	150	170	13,5	30	25	135	152,5	362,6	1018,7	903	4881	4288	2144
SFB-80-16-12-8	B	80	16	12,7	71	8	179	130	150	170	13,5	30	25	135	152,5	406,7	1164,3	903	5543	4873	2437
SFB-80-16-12-9	B	80	16	12,7	71	9	195	130	150	170	13,5	30	25	135	152,5	450,1	1309,8	903	6202	5456	2728

IPIRANGA
TMBS
SINGLE NUT

Reference	Recirculation	Nominal diameter	Lead	Ball diameter	Root diameter	Circuits	Dimensions					Dimensions					Loads and rigidity				
							Ln	D1	D4	D6	D5	L7	L1	L8	L9	Cam	Coam	Rsm	Rbt	Rnu	Rnu.ar
SINGLE NUT Ref	S/U/B Tipo	do mm	Ph mm	Dw mm	d3 mm	i units	mm	mm	mm	mm	mm	mm	mm	mm	mm	KN	KN	N/μm	N/μm	N/μm	N/μm
SFB-80-16-12-10	B	80	16	12,7	71	10	211	130	150	170	13,5	30	25	135	152,5	492,8	1455,3	903	6858	6037	3019
SFB-80-16-12-11	B	80	16	12,7	71	11	235	130	150	170	13,5	30	25	135	152,5	534,9	1600,8	903	7510	6614	3307
SFB-80-16-12-12	B	80	16	12,7	71	12	251	130	150	170	13,5	30	25	135	152,5	576,4	1746,4	903	8159	7189	3595
SFB-80-16-12-13	B	80	16	12,7	71	13	267	130	150	170	13,5	30	25	135	152,5	617,5	1891,9	903	8806	7762	3881
SFB-80-16-12-14	B	80	16	12,7	71	14	283	130	150	170	13,5	30	25	135	152,5	658,2	2037,4	903	9451	8334	4167
SFB-80-16-12-15	B	80	16	12,7	71	15	299	130	150	170	13,5	30	25	135	152,5	698,4	2183	903	10093	8904	4452
SFB-80-16-12-16	B	80	16	12,7	71	16	323	130	150	170	13,5	30	25	135	152,5	738,3	2328,5	903	10734	9473	4737
SFB-80-20-8-3	U	80	20	7,938	73,3	3	101	125	145	165	13,5	25	25	130	147,5	87,4	254	934	1910	1745	873
SFB-80-20-8-4	U	80	20	7,938	73,3	4	121	125	145	165	13,5	25	25	130	147,5	114,9	353,7	934	2591	2363	1182
SFB-80-20-8-5	U	80	20	7,938	73,3	5	141	125	145	165	13,5	25	25	130	147,5	139,8	446,8	934	3210	2929	1465
SFB-80-20-8-6	U	80	20	7,938	73,3	6	161	125	145	165	13,5	25	25	130	147,5	164,1	541,6	934	3823	3491	1746
SFB-80-20-9-3	U	80	20	9,525	72,2	3	108	125	145	165	13,5	25	25	130	147,5	114,8	311,4	916	2036	1842	921
SFB-80-20-9-4	U	80	20	9,525	72,2	4	128	125	145	165	13,5	25	25	130	147,5	147,7	419,3	916	2683	2430	1215
SFB-80-20-9-5	U	80	20	9,525	72,2	5	148	125	145	165	13,5	25	25	130	147,5	179,6	529,1	916	3323	3012	1506
SFB-80-20-9-6	U	80	20	9,525	72,2	6	168	125	145	165	13,5	25	25	130	147,5	210,9	640,8	916	3959	3591	1796
SFB-80-20-9-7	U	80	20	9,525	72,2	7	188	125	145	165	13,5	25	25	130	147,5	241,6	754,4	916	4590	4166	2083
SFB-80-20-9-7	B	80	20	9,525	72,2	7	189	120	140	160	13,5	25	25	125	142,5	241,6	754,4	916	4590	4128	2064
SFB-80-20-9-8	B	80	20	9,525	72,2	8	209	120	140	160	13,5	25	25	125	142,5	271,1	862,1	916	5214	4692	2346
SFB-80-20-9-9	B	80	20	9,525	72,2	9	239	120	140	160	13,5	25	25	125	142,5	299,9	969,9	916	5833	5252	2626
SFB-80-20-9-10	B	80	20	9,525	72,2	10	259	120	140	160	13,5	25	25	125	142,5	328,4	1077,7	916	6450	5810	2905
SFB-80-20-9-11	B	80	20	9,525	72,2	11	279	120	140	160	13,5	25	25	125	142,5	356,4	1185,4	916	7063	6365	3183
SFB-80-20-9-12	B	80	20	9,525	72,2	12	299	120	140	160	13,5	25	25	125	142,5	384,1	1293,2	916	7674	6919	3460
SFB-80-20-9-13	B	80	20	9,525	72,2	13	329	120	140	160	13,5	25	25	125	142,5	411,5	1400,9	916	8282	7470	3735
SFB-80-20-9-14	B	80	20	9,525	72,2	14	349	120	140	160	13,5	25	25	125	142,5	438,6	1508,7	916	8889	8020	4010
SFB-80-20-9-15	B	80	20	9,525	72,2	15	352	120	140	160	13,5	25	25	125	142,5	465,4	1616,5	916	9493	8567	4284
SFB-80-20-12-3	U	80	20	12,7	71	3	118	135	155	175	13,5	25	25	140	157,5	172,4	423,7	903	2162	1955	978
SFB-80-20-12-4	U	80	20	12,7	71	4	138	135	155	175	13,5	25	25	140	157,5	221,6	569,2	903	2848	2578	1289
SFB-80-20-12-5	U	80	20	12,7	71	5	158	135	155	175	13,5	25	25	140	157,5	269,4	716,7	903	3527	3196	1598
SFB-80-20-12-6	U	80	20	12,7	71	6	178	135	155	175	13,5	25	25	140	157,5	316,2	866,2	903	4201	3809	1905
SFB-80-20-12-7	U	80	20	12,7	71	7	198	135	155	175	13,5	25	25	140	157,5	362,1	1017,7	903	4870	4418	2209
SFB-80-20-12-8	U	80	20	12,7	71	8	218	135	155	175	13,5	25	25	140	157,5	406,2	1163,1	903	5532	5022	2511
SFB-80-20-12-8	B	80	20	12,7	71	8	213	130	150	170	13,5	30	25	135	152,5	406,2	1163,1	903	5532	4985	2493
SFB-80-20-12-9	U	80	20	12,7	71	9	238	135	155	175	13,5	25	25	140	157,5	449,5	1308,4	903	6189	5621	2811
SFB-80-20-12-9	B	80	20	12,7	71	9	233	130	150	170	13,5	30	25	135	152,5	449,5	1308,4	903	6189	5580	2790
SFB-80-20-12-10	U	80	20	12,7	71	10	258	135	155	175	13,5	25	25	140	157,5	492,1	1453,8	903	6843	6218	3109
SFB-80-20-12-10	B	80	20	12,7	71	10	253	130	150	170	13,5	30	25	135	152,5	492,1	1453,8	903	6843	6173	3087
SFB-80-20-12-11	B	80	20	12,7	71	11	283	130	150	170	13,5	30	25	135	152,5	534,2	1599,2	903	7494	6763	3382
SFB-80-20-12-12	B	80	20	12,7	71	12	303	130	150	170	13,5	30	25	135	152,5	575,7	1744,6	903	8142	7350	3675
SFB-80-20-12-13	B	80	20	12,7	71	13	323	130	150	170	13,5	30	25	135	152,5	616,7	1890	903	8787	7935	3968
SFB-80-20-12-14	B	80	20	12,7	71	14	343	130	150	170	13,5	30	25	135	152,5	657,3	2035,3	903	9431	8520	4260
SFB-80-20-12-15	B	80	20	12,7	71	15	361	130	150	170	13,5	30	25	135	152,5	697,5	2180,7	903	10072	9102	4551
SFB-80-20-15-2	B	80	20	15,875	67	2	89	140	166	192	17,5	30	25	145	168,5	165,6	411,9	826	1548	1395	698

IPIRANGA
TMBS
SINGLE NUT

Reference	Recirculation	Nominal diameter	Lead	Ball diameter	Root diameter	Circuits	Dimensions					Dimensions					Loads and rigidity				
							Ln	D1	D4	D6	D5	L7	L1	L8	L9	Cam	Coam	Rsm	Rbt	Rnu	Rnu.ar
SINGLE NUT Ref	S/U/B Tipo	do mm	Ph mm	Dw mm	d3 mm	i units	mm	mm	mm	mm	mm	mm	mm	mm	mm	KN	KN	N/μm	N/μm	N/μm	N/μm
SFB-80-20-15-3	B	80	20	15,875	67	3	109	140	166	192	175	30	25	145	168,5	235,8	622,5	826	2282	2059	1030
SFB-80-20-15-4	B	80	20	15,875	67	4	129	140	166	192	175	30	25	145	168,5	303,3	836	826	3006	2716	1358
SFB-80-20-15-5	B	80	20	15,875	67	5	149	140	166	192	175	30	25	145	168,5	369	1052,5	826	3723	3367	1684
SFB-80-20-15-6	B	80	20	15,875	67	6	169	140	166	192	175	30	25	145	168,5	433,4	1271,7	826	4436	4014	2007
SFB-80-20-15-7	B	80	20	15,875	67	7	199	140	166	192	175	30	25	145	168,5	496,8	1493,8	826	5145	4658	2329
SFB-80-20-15-8	B	80	20	15,875	67	8	219	140	166	192	175	30	25	145	168,5	557,2	1707,2	826	5843	5293	2647
SFB-80-20-15-9	B	80	20	15,875	67	9	239	140	166	192	175	30	25	145	168,5	616,6	1920,6	826	6537	5925	2963
SFB-80-20-15-10	B	80	20	15,875	67	10	259	140	166	192	175	30	25	145	168,5	675,1	2134	826	7228	6554	3277
SFB-80-20-15-11	B	80	20	15,875	67	11	279	140	166	192	175	30	25	145	168,5	732,8	2347,4	826	7916	7181	3591
SFB-80-20-15-12	B	80	20	15,875	67	12	299	140	166	192	175	30	25	145	168,5	789,7	2560,8	826	8600	7804	3902
SFB-80-20-15-13	B	80	20	15,875	67	13	329	140	166	192	175	30	25	145	168,5	846	2774,2	826	9282	8426	4213
SFB-80-20-15-14	B	80	20	15,875	67	14	349	140	166	192	175	30	25	145	168,5	901,6	2987,6	826	9961	9045	4523
SFB-80-20-15-15	B	80	20	15,875	67	15	361	140	166	192	175	30	25	145	168,5	956,8	3201	826	10639	9663	4832
SFB-80-20-15-16	B	80	20	15,875	67	16	387	140	166	192	175	30	25	145	168,5	1011,4	3414,4	826	11314	10279	5140
SFB-80-25-8-2	U	80	25	7,938	73,3	2	90	125	145	165	13,5	25	25	130	147,5	61,2	167,1	934	1291	1199	600
SFB-80-25-8-3	U	80	25	7,938	73,3	3	115	125	145	165	13,5	25	25	130	147,5	87,2	253,5	934	1904	1770	885
SFB-80-25-8-4	U	80	25	7,938	73,3	4	140	125	145	165	13,5	25	25	130	147,5	114,6	353,1	934	2581	2397	1199
SFB-80-25-8-5	U	80	25	7,938	73,3	5	165	125	145	165	13,5	25	25	130	147,5	139,5	446	934	3198	2971	1486
SFB-80-25-8-6	U	80	25	7,938	73,3	6	190	125	145	165	13,5	25	25	130	147,5	163,7	540,6	934	3809	3541	1771
SFB-80-25-9-2	U	80	25	9,525	72,2	2	97	125	145	165	13,5	25	25	130	147,5	78,4	197,3	916	1330	1229	615
SFB-80-25-9-2	B	80	25	9,525	72,2	2	89	120	140	160	13,5	25	25	125	142,5	80,5	205,2	916	1377	1259	630
SFB-80-25-9-3	U	80	25	9,525	72,2	3	122	125	145	165	13,5	25	25	130	147,5	114,6	310,9	916	2030	1873	937
SFB-80-25-9-3	B	80	25	9,525	72,2	3	114	120	140	160	13,5	25	25	125	142,5	114,6	310,9	916	2030	1859	930
SFB-80-25-9-4	U	80	25	9,525	72,2	4	147	125	145	165	13,5	25	25	130	147,5	147,3	418,6	916	2673	2468	1234
SFB-80-25-9-4	B	80	25	9,525	72,2	4	139	120	140	160	13,5	25	25	125	142,5	147,3	418,6	916	2673	2450	1225
SFB-80-25-9-5	U	80	25	9,525	72,2	5	172	125	145	165	13,5	25	25	130	147,5	179,2	528,2	916	3311	3059	1530
SFB-80-25-9-5	B	80	25	9,525	72,2	5	176	120	140	160	13,5	25	25	125	142,5	179,2	528,2	916	3311	3037	1519
SFB-80-25-9-6	U	80	25	9,525	72,2	6	197	125	145	165	13,5	25	25	130	147,5	210,4	639,8	916	3945	3647	1824
SFB-80-25-9-6	B	80	25	9,525	72,2	6	201	120	140	160	13,5	25	25	125	142,5	210,4	639,8	916	3945	3620	1810
SFB-80-25-9-7	U	80	25	9,525	72,2	7	222	125	145	165	13,5	25	25	130	147,5	241,1	753,1	916	4574	4231	2116
SFB-80-25-9-7	B	80	25	9,525	72,2	7	226	120	140	160	13,5	25	25	125	142,5	241,1	753,1	916	4574	4200	2100
SFB-80-25-9-8	B	80	25	9,525	72,2	8	251	120	140	160	13,5	25	25	125	142,5	270,5	860,7	916	5196	4773	2387
SFB-80-25-9-9	B	80	25	9,525	72,2	9	289	120	140	160	13,5	25	25	125	142,5	299,3	968,3	916	5813	5342	2671
SFB-80-25-9-10	B	80	25	9,525	72,2	10	314	120	140	160	13,5	25	25	125	142,5	327,7	1075,8	916	6427	5909	2955
SFB-80-25-9-11	B	80	25	9,525	72,2	11	339	120	140	160	13,5	25	25	125	142,5	355,7	1183,4	916	7039	6473	3237
SFB-80-25-9-12	B	80	25	9,525	72,2	12	354	120	140	160	13,5	25	25	125	142,5	383,3	1291	916	7647	7035	3518
SFB-80-25-9-13	B	80	25	9,525	72,2	13	399	120	140	160	13,5	25	25	125	142,5	410,6	1398,6	916	8253	7595	3798
SFB-80-25-12-2	U	80	25	12,7	71	2	106	135	155	175	13,5	25	25	140	157,5	116,9	265,9	903	1397	1291	646
SFB-80-25-12-3	U	80	25	12,7	71	3	131	135	155	175	13,5	25	25	140	157,5	172,1	423	903	2155	1987	994
SFB-80-25-12-4	U	80	25	12,7	71	4	156	135	155	175	13,5	25	25	140	157,5	221,2	568,3	903	2838	2620	1310
SFB-80-25-12-5	U	80	25	12,7	71	5	181	135	155	175	13,5	25	25	140	157,5	268,9	715,5	903	3515	3247	1624
SFB-80-25-12-6	U	80	25	12,7	71	6	206	135	155	175	13,5	25	25	140	157,5	315,5	864,8	903	4186	3869	1935

IPIRANGA
TMBS
SINGLE NUT

Reference	Recirculation	Nominal diameter	Lead	Ball diameter	Root diameter	Circuits	Dimensions					Dimensions					Loads and rigidity				
							Ln	D1	D4	D6	D5	L7	L1	L8	L9	Cam	Coam	Rsm	Rbt	Rnu	Rnu.ar
SINGLE NUT Ref	S/U/B Tipo	do mm	Ph mm	Dw mm	d3 mm	i units	mm	mm	mm	mm	mm	mm	mm	mm	mm	KN	KN	N/μm	N/μm	N/μm	N/μm
SFB-80-25-12-7	U	80	25	12,7	71	7	231	135	155	175	13,5	25	25	140	157,5	361,4	1016	903	4854	4488	2244
SFB-80-25-12-8	U	80	25	12,7	71	8	256	135	155	175	13,5	25	25	140	157,5	405,4	1161,2	903	5513	5100	2550
SFB-80-25-12-8	B	80	25	12,7	71	8	256	130	150	170	13,5	30	25	135	152,5	405,4	1161,2	903	5513	5070	2535
SFB-80-25-12-9	B	80	25	12,7	71	9	281	130	150	170	13,5	30	25	135	152,5	448,6	1306,3	903	6168	5674	2837
SFB-80-25-12-10	B	80	25	12,7	71	10	306	130	150	170	13,5	30	25	135	152,5	491,1	1451,5	903	6820	6277	3139
SFB-80-25-12-11	B	80	25	12,7	71	11	343	130	150	170	13,5	30	25	135	152,5	533,1	1596,6	903	7469	6876	3438
SFB-80-25-12-12	B	80	25	12,7	71	12	358	130	150	170	13,5	30	25	135	152,5	574,5	1741,8	903	8114	7472	3736
SFB-80-25-12-13	B	80	25	12,7	71	13	391	130	150	170	13,5	30	25	135	152,5	615,4	1886,9	903	8758	8068	4034
SFB-80-25-12-14	B	80	25	12,7	71	14	416	130	150	170	13,5	30	25	135	152,5	655,9	2032,1	903	9399	8661	4331
SFB-80-25-12-15	B	80	25	12,7	71	15	441	130	150	170	13,5	30	25	135	152,5	696	2177,2	903	10038	9252	4626
SFB-80-25-12-16	B	80	25	12,7	71	16	479	130	150	170	13,5	30	25	135	152,5	735,7	2322,4	903	10675	9841	4921
SFB-80-25-15-3	B	80	25	15,875	67	3	124	140	166	192	17,5	30	25	145	168,5	235,3	621,5	826	2274	2094	1047
SFB-80-25-15-4	B	80	25	15,875	67	4	149	140	166	192	17,5	30	25	145	168,5	302,6	834,7	826	2995	2760	1380
SFB-80-25-15-5	B	80	25	15,875	67	5	174	140	166	192	17,5	30	25	145	168,5	368,2	1050,7	826	3710	3421	1711
SFB-80-25-15-6	B	80	25	15,875	67	6	199	140	166	192	17,5	30	25	145	168,5	432,5	1269,7	826	4421	4079	2040
SFB-80-25-15-7	B	80	25	15,875	67	7	237	140	166	192	17,5	30	25	145	168,5	495,7	1491,4	826	5127	4733	2367
SFB-80-25-15-8	B	80	25	15,875	67	8	262	140	166	192	17,5	30	25	145	168,5	556	1704,4	826	5823	5378	2689
SFB-80-25-15-9	B	80	25	15,875	67	9	287	140	166	192	17,5	30	25	145	168,5	615,3	1917,5	826	6515	6019	3010
SFB-80-25-15-10	B	80	25	15,875	67	10	312	140	166	192	17,5	30	25	145	168,5	673,7	2130,5	826	7204	6658	3329
SFB-80-25-15-11	B	80	25	15,875	67	11	337	140	166	192	17,5	30	25	145	168,5	731,2	2343,6	826	7889	7294	3647
SFB-80-25-15-12	B	80	25	15,875	67	12	360	140	166	192	17,5	30	25	145	168,5	788	2556,6	826	8571	7926	3963
SFB-80-25-15-13	B	80	25	15,875	67	13	397	140	166	192	17,5	30	25	145	168,5	844,2	2769,7	826	9250	8557	4279
SFB-80-25-15-14	B	80	25	15,875	67	14	422	140	166	192	17,5	30	25	145	168,5	899,7	2982,7	826	9927	9185	4593
SFB-80-25-15-15	B	80	25	15,875	67	15	447	140	166	192	17,5	30	25	145	168,5	954,7	3195,8	826	10602	9812	4906
SFB-80-25-15-16	B	80	25	15,875	67	16	472	140	166	192	17,5	30	25	145	168,5	1009,2	3408,8	826	11275	10438	5219
SFB-80-25-19-2	B	80	25	19,05	64,1	2	105	150	176	202	17,5	30	40	155	178,5	202,7	472,1	774	1524	1410	705
SFB-80-25-19-3	B	80	25	19,05	64,1	3	130	150	176	202	17,5	30	40	155	178,5	288,6	712,7	774	2247	2081	1041
SFB-80-25-19-4	B	80	25	19,05	64,1	4	155	150	176	202	17,5	30	40	155	178,5	371,1	956,2	774	2960	2744	1372
SFB-80-25-19-5	B	80	25	19,05	64,1	5	180	150	176	202	17,5	30	40	155	178,5	451,4	1202,6	774	3666	3401	1701
SFB-80-25-19-6	B	80	25	19,05	64,1	6	205	150	176	202	17,5	30	40	155	178,5	557	1563,5	774	4665	4308	2154
SFB-80-25-19-7	B	80	25	19,05	64,1	7	230	150	176	202	17,5	30	40	155	178,5	607,6	1703,9	774	5065	4703	2352
SFB-80-25-19-8	B	80	25	19,05	64,1	8	255	150	176	202	17,5	30	40	155	178,5	716,1	2097,1	774	6145	5680	2840
SFB-80-25-19-9	B	80	25	19,05	64,1	9	293	150	176	202	17,5	30	40	155	178,5	754,2	2190,7	774	6437	5981	2991
SFB-80-25-19-10	B	80	25	19,05	64,1	10	318	150	176	202	17,5	30	40	155	178,5	825,7	2434,1	774	7117	6616	3308
SFB-80-25-19-11	B	80	25	19,05	64,1	11	343	150	176	202	17,5	30	40	155	178,5	896,3	2677,5	774	7794	7247	3624
SFB-80-25-19-12	B	80	25	19,05	64,1	12	360	150	176	202	17,5	30	40	155	178,5	1014,8	3145,6	774	9044	8372	4186
SFB-80-25-19-13	B	80	25	19,05	64,1	13	391	150	176	202	17,5	30	40	155	178,5	1087,1	3407,7	774	9761	9038	4519
SFB-80-25-19-14	B	80	25	19,05	64,1	14	416	150	176	202	17,5	30	40	155	178,5	1158,7	3669,9	774	10476	9702	4851
SFB-80-25-19-15	B	80	25	19,05	64,1	15	441	150	176	202	17,5	30	40	155	178,5	1229,5	3932	774	11188	10364	5182
SFB-80-25-19-16	B	80	25	19,05	64,1	16	466	150	176	202	17,5	30	40	155	178,5	1299,7	4194,1	774	11898	11025	5513
SFB-80-30-8-3	U	80	30	7,938	73,3	3	129	125	145	165	13,5	25	25	130	147,5	87	253	934	1896	1784	892
SFB-80-30-8-4	U	80	30	7,938	73,3	4	159	125	145	165	13,5	25	25	130	147,5	114,3	352,4	934	2570	2416	1208

IPIRANGA
TMBS
SINGLE NUT

Reference	Recirculation	Nominal diameter	Lead	Ball diameter	Root diameter	Circuits	Dimensions					Dimensions					Loads and rigidity				
							Ln	D1	D4	D6	D5	L7	L1	L8	L9	Cam	Coam	Rsm	Rbt	Rnu	Rnu.ar
SINGLE NUT Ref	S/U/B Tipo	do mm	Ph mm	Dw mm	d3 mm	i units	mm	mm	mm	mm	mm	mm	mm	mm	mm	KN	KN	N/μm	N/μm	N/μm	N/μm
SFB-80-30-8-5	U	80	30	7,938	73,3	5	189	125	145	165	13,5	25	25	130	147,5	139,1	445,1	934	3184	2995	1498
SFB-80-30-8-6	U	80	30	7,938	73,3	6	219	125	145	165	13,5	25	25	130	147,5	163,3	539,5	934	3793	3569	1785
SFB-80-30-9-2	B	80	30	9,525	72,2	2	99	120	140	160	13,5	25	25	125	142,5	80,2	204,7	916	1371	1272	636
SFB-80-30-9-3	U	80	30	9,525	72,2	3	136	125	145	165	13,5	25	25	130	147,5	114,2	310,2	916	2020	1889	945
SFB-80-30-9-3	B	80	30	9,525	72,2	3	129	120	140	160	13,5	25	25	125	142,5	114,2	310,2	916	2020	1877	939
SFB-80-30-9-4	U	80	30	9,525	72,2	4	166	125	145	165	13,5	25	25	130	147,5	146,9	417,7	916	2662	2491	1246
SFB-80-30-9-4	B	80	30	9,525	72,2	4	159	120	140	160	13,5	25	25	125	142,5	146,9	417,7	916	2662	2475	1238
SFB-80-30-9-5	U	80	30	9,525	72,2	5	196	125	145	165	13,5	25	25	130	147,5	178,8	527,2	916	3297	3087	1544
SFB-80-30-9-5	B	80	30	9,525	72,2	5	204	120	140	160	13,5	25	25	125	142,5	178,8	527,2	916	3297	3067	1534
SFB-80-30-9-6	U	80	30	9,525	72,2	6	226	125	145	165	13,5	25	25	130	147,5	209,9	638,4	916	3928	3679	1840
SFB-80-30-9-6	B	80	30	9,525	72,2	6	234	120	140	160	13,5	25	25	125	142,5	209,9	638,4	916	3928	3656	1828
SFB-80-30-9-7	U	80	30	9,525	72,2	7	256	125	145	165	13,5	25	25	130	147,5	240,5	751,5	916	4555	4268	2134
SFB-80-30-9-7	B	80	30	9,525	72,2	7	264	120	140	160	13,5	25	25	125	142,5	240,5	751,5	916	4555	4241	2121
SFB-80-30-9-8	B	80	30	9,525	72,2	8	294	120	140	160	13,5	25	25	125	142,5	269,7	858,9	916	5173	4819	2410
SFB-80-30-9-9	B	80	30	9,525	72,2	9	339	120	140	160	13,5	25	25	125	142,5	298,5	966,3	916	5788	5394	2697
SFB-80-30-9-10	B	80	30	9,525	72,2	10	357	120	140	160	13,5	25	25	125	142,5	326,8	1073,6	916	6399	5965	2983
SFB-80-30-12-3	U	80	30	12,7	71	3	145	135	155	175	13,5	25	25	140	157,5	171,6	422,2	903	2146	2006	1003
SFB-80-30-12-4	U	80	30	12,7	71	4	175	135	155	175	13,5	25	25	140	157,5	220,6	567,1	903	2827	2644	1322
SFB-80-30-12-5	U	80	30	12,7	71	5	205	135	155	175	13,5	25	25	140	157,5	268,2	714,1	903	3500	3276	1638
SFB-80-30-12-6	U	80	30	12,7	71	6	235	135	155	175	13,5	25	25	140	157,5	314,7	863,1	903	4169	3903	1952
SFB-80-30-12-7	U	80	30	12,7	71	7	265	135	155	175	13,5	25	25	140	157,5	360,5	1014,1	903	4834	4528	2264
SFB-80-30-12-8	B	80	30	12,7	71	8	298	130	150	170	13,5	30	25	135	152,5	404,3	1158,9	903	5490	5119	2560
SFB-80-30-12-9	B	80	30	12,7	71	9	328	130	150	170	13,5	30	25	135	152,5	447,4	1303,8	903	6143	5729	2865
SFB-80-30-12-10	B	80	30	12,7	71	10	356	130	150	170	13,5	30	25	135	152,5	489,9	1448,7	903	6792	6337	3169
SFB-80-30-15-3	B	80	30	15,875	67	3	139	140	166	192	17,5	30	25	145	168,5	234,7	620,3	826	2264	2113	1057
SFB-80-30-15-4	B	80	30	15,875	67	4	169	140	166	192	17,5	30	25	145	168,5	301,9	833	826	2983	2786	1393
SFB-80-30-15-5	B	80	30	15,875	67	5	199	140	166	192	17,5	30	25	145	168,5	367,3	1048,6	826	3695	3453	1727
SFB-80-30-15-6	B	80	30	15,875	67	6	229	140	166	192	17,5	30	25	145	168,5	431,3	1267,1	826	4402	4116	2058
SFB-80-30-15-7	B	80	30	15,875	67	7	274	140	166	192	17,5	30	25	145	168,5	494,4	1488,4	826	5106	4776	2388
SFB-80-30-15-8	B	80	30	15,875	67	8	304	140	166	192	17,5	30	25	145	168,5	554,6	1701	826	5799	5426	2713
SFB-80-30-15-9	B	80	30	15,875	67	9	334	140	166	192	17,5	30	25	145	168,5	613,7	1913,6	826	6488	6073	3037
SFB-80-30-15-10	B	80	30	15,875	67	10	362	140	166	192	17,5	30	25	145	168,5	671,9	2126,3	826	7173	6716	3358
SFB-80-30-15-11	B	80	30	15,875	67	11	392	140	166	192	17,5	30	25	145	168,5	729,3	2338,9	826	7856	7358	3679
SFB-80-30-15-12	B	80	30	15,875	67	12	422	140	166	192	17,5	30	25	145	168,5	786	2551,5	826	8535	7996	3998
SFB-80-30-15-13	B	80	30	15,875	67	13	467	140	166	192	17,5	30	25	145	168,5	842	2764,2	826	9212	8632	4316
SFB-80-30-19-3	B	80	30	19,05	64,1	3	145	150	176	202	17,5	30	40	155	178,5	287,8	711,3	774	2237	2099	1050
SFB-80-30-19-4	B	80	30	19,05	64,1	4	175	150	176	202	17,5	30	40	155	178,5	370,1	954,3	774	2947	2766	1383
SFB-80-30-19-5	B	80	30	19,05	64,1	5	205	150	176	202	17,5	30	40	155	178,5	450,2	1200,2	774	3651	3429	1715
SFB-80-30-19-6	B	80	30	19,05	64,1	6	235	150	176	202	17,5	30	40	155	178,5	555,5	1560,4	774	4646	4347	2174
SFB-80-30-19-7	B	80	30	19,05	64,1	7	265	150	176	202	17,5	30	40	155	178,5	606	1700,5	774	5044	4741	2371
SFB-80-30-19-8	B	80	30	19,05	64,1	8	310	150	176	202	17,5	30	40	155	178,5	679,8	1943,4	774	5729	5387	2694
SFB-80-30-19-9	B	80	30	19,05	64,1	9	340	150	176	202	17,5	30	40	155	178,5	752,3	2186,4	774	6410	6029	3015

IPIRANGA
TMBS
SINGLE NUT

Reference	Recirculation	Nominal diameter	Lead	Ball diameter	Root diameter	Circuits	Dimensions					Dimensions					Loads and rigidity					
							Ln	D1	D4	D6	D5	L7	L1	L8	L9	Cam	Coam	Rsm	Rbt	Rnu	Rnu.ar	
SINGLE NUT Ref	S/U/B Tipo	do mm	Ph mm	Dw mm	d3 mm	i units	mm	mm	mm	mm	mm	mm	mm	mm	mm	KN	KN	N/μm	N/μm	N/μm	N/μm	
SFB-80-30-19-10	B	80	30	19,05	64,1	10	368	150	176		202	175	30	40	155	178,5	823,6	2429,3	774	7087	6668	3334
SFB-80-30-19-11	B	80	30	19,05	64,1	11	398	150	176		202	175	30	40	155	178,5	894	2672,2	774	7761	7304	3652
SFB-80-30-19-12	B	80	30	19,05	64,1	12	428	150	176		202	175	30	40	155	178,5	1012,2	3139,4	774	9007	8444	4222
SFB-80-30-19-13	B	80	30	19,05	64,1	13	458	150	176		202	175	30	40	155	178,5	1084,3	3401	774	9721	9116	4558
SFB-80-30-19-14	B	80	30	19,05	64,1	14	488	150	176		202	175	30	40	155	178,5	1155,7	3662,6	774	10432	9785	4893
SFB-80-40-8-3	U	80	40	7,938	73,3	3	159	125	145		165	13,5	25	25	130	147,5	86,4	251,7	934	1875	1792	896
SFB-80-40-8-4	U	80	40	7,938	73,3	4	199	125	145		165	13,5	25	25	130	147,5	113,6	350,5	934	2543	2428	1214
SFB-80-40-8-5	U	80	40	7,938	73,3	5	239	125	145		165	13,5	25	25	130	147,5	138,1	442,8	934	3149	3008	1504
SFB-80-40-9-2	B	80	40	9,525	72,2	2	119	120	140		160	13,5	25	25	125	142,5	79,7	203,7	916	1356	1282	641
SFB-80-40-9-3	U	80	40	9,525	72,2	3	163	125	145		165	13,5	25	25	130	147,5	113,5	308,6	916	1999	1901	951
SFB-80-40-9-3	B	80	40	9,525	72,2	3	159	120	140		160	13,5	25	25	125	142,5	113,5	308,6	916	1999	1901	951
SFB-80-40-9-4	U	80	40	9,525	72,2	4	203	125	145		165	13,5	25	25	130	147,5	146	415,6	916	2633	2505	1253
SFB-80-40-9-4	B	80	40	9,525	72,2	4	199	120	140		160	13,5	25	25	125	142,5	146	415,6	916	2633	2493	1247
SFB-80-40-9-5	U	80	40	9,525	72,2	5	243	125	145		165	13,5	25	25	130	147,5	177,6	524,4	916	3262	3105	1553
SFB-80-40-9-5	B	80	40	9,525	72,2	5	259	120	140		160	13,5	25	25	125	142,5	177,6	524,4	916	3262	3090	1545
SFB-80-40-9-6	B	80	40	9,525	72,2	6	299	120	140		160	13,5	25	25	125	142,5	208,5	635,1	916	3886	3683	1842
SFB-80-40-9-7	B	80	40	9,525	72,2	7	339	120	140		160	13,5	25	25	125	142,5	238,9	747,7	916	4506	4272	2136
SFB-80-40-12-2	B	80	40	12,7	71	2	123	130	150		170	13,5	30	25	135	152,5	119,9	277,9	903	1441	1363	682
SFB-80-40-12-3	U	80	40	12,7	71	3	172	135	155		175	13,5	25	25	140	157,5	170,5	420,1	903	2124	2019	1010
SFB-80-40-12-3	B	80	40	12,7	71	3	163	130	150		170	13,5	30	25	135	152,5	170,5	420,1	903	2124	2011	1006
SFB-80-40-12-4	U	80	40	12,7	71	4	212	135	155		175	13,5	25	25	140	157,5	219,2	564,4	903	2797	2661	1331
SFB-80-40-12-4	B	80	40	12,7	71	4	203	130	150		170	13,5	30	25	135	152,5	219,2	564,4	903	2797	2650	1325
SFB-80-40-12-5	U	80	40	12,7	71	5	252	135	155		175	13,5	25	25	140	157,5	266,5	710,6	903	3464	3297	1649
SFB-80-40-12-5	B	80	40	12,7	71	5	243	130	150		170	13,5	30	25	135	152,5	266,5	710,6	903	3464	3284	1642
SFB-80-40-12-6	B	80	40	12,7	71	6	303	130	150		170	13,5	30	25	135	152,5	312,7	858,9	903	4126	3913	1957
SFB-80-40-12-7	B	80	40	12,7	71	7	343	130	150		170	13,5	30	25	135	152,5	358,2	1009,1	903	4785	4539	2270
SFB-80-40-15-2	B	80	40	15,875	67	2	129	140	166		192	17,5	30	25	145	168,5	163,8	408,4	826	1520	1442	721
SFB-80-40-15-3	B	80	40	15,875	67	3	169	140	166		192	17,5	30	25	145	168,5	233,1	617,1	826	2240	2127	1064
SFB-80-40-15-4	B	80	40	15,875	67	4	209	140	166		192	17,5	30	25	145	168,5	299,9	828,8	826	2952	2805	1403
SFB-80-40-15-5	B	80	40	15,875	67	5	249	140	166		192	17,5	30	25	145	168,5	364,9	1043,4	826	3656	3476	1738
SFB-80-40-15-6	B	80	40	15,875	67	6	309	140	166		192	17,5	30	25	145	168,5	428,5	1260,8	826	4356	4142	2071
SFB-80-40-15-7	B	80	40	15,875	67	7	349	140	166		192	17,5	30	25	145	168,5	491,2	1480,9	826	5052	4806	2403
SFB-80-40-15-8	B	80	40	15,875	67	8	387	140	166		192	17,5	30	25	145	168,5	551	1692,5	826	5738	5460	2730
SFB-80-40-15-9	B	80	40	15,875	67	9	427	140	166		192	17,5	30	25	145	168,5	609,7	1904,1	826	6420	6110	3055
SFB-80-40-15-10	B	80	40	15,875	67	10	467	140	166		192	17,5	30	25	145	168,5	667,5	2115,6	826	7098	6757	3379
SFB-80-40-19-2	B	80	40	19,05	64,1	2	135	150	176		202	17,5	30	40	155	178,5	200,9	468,9	774	1502	1431	716
SFB-80-40-19-3	B	80	40	19,05	64,1	3	175	150	176		202	17,5	30	40	155	178,5	285,9	707,8	774	2214	2111	1056
SFB-80-40-19-4	B	80	40	19,05	64,1	4	215	150	176		202	17,5	30	40	155	178,5	367,7	949,6	774	2917	2782	1391
SFB-80-40-19-5	B	80	40	19,05	64,1	5	255	150	176		202	17,5	30	40	155	178,5	447,3	1194,3	774	3613	3448	1724
SFB-80-40-19-6	B	80	40	19,05	64,1	6	315	150	176		202	17,5	30	40	155	178,5	525,3	1441,8	774	4304	4108	2054
SFB-80-40-19-7	B	80	40	19,05	64,1	7	355	150	176		202	17,5	30	40	155	178,5	602,1	1692	774	4992	4766	2383
SFB-80-40-19-8	B	80	40	19,05	64,1	8	393	150	176		202	17,5	30	40	155	178,5	675,4	1933,7	774	5669	5414	2707

IPIRANGA
TMBS
SINGLE NUT

Reference	Recirculation	Nominal diameter	Lead	Ball diameter	Root diameter	Circuits	Dimensions					Dimensions					Loads and rigidity				
							Ln	D1	D4	D6	D5	L7	L1	L8	L9	Cam KN	Coam KN	Rsm N/μm	Rbt N/μm	Rnu N/μm	Rnu.ar N/μm
SINGLE NUT Ref	S/U/B Tipo	do mm	Ph mm	Dw mm	d3 mm	i units	Ln mm	D1 mm	D4 mm	D6 mm	D5 mm	L7 mm	L1 mm	L8 mm	L9 mm	Cam KN	Coam KN	Rsm N/μm	Rbt N/μm	Rnu N/μm	Rnu.ar N/μm
SFB-80-40-19-9	B	80	40	19,05	64,1	9	433	150	176	202	175	30	40	155	178,5	747,4	2175,5	774	6343	6059	3030
SFB-80-40-19-10	B	80	40	19,05	64,1	10	473	150	176	202	175	30	40	155	178,5	818,3	2417,2	774	7013	6700	3350
SFB-80-50-9-2	B	80	50	9,525	72,2	2	139	120	140	160	13,5	25	25	125	142,5	79	202,3	916	1337	1279	640
SFB-80-50-9-3	U	80	50	9,525	72,2	3	190	125	145	165	13,5	25	25	130	147,5	112,5	306,6	916	1971	1894	947
SFB-80-50-9-3	B	80	50	9,525	72,2	3	189	120	140	160	13,5	25	25	125	142,5	112,5	306,6	916	1971	1887	944
SFB-80-50-9-4	U	80	50	9,525	72,2	4	240	125	145	165	13,5	25	25	130	147,5	144,7	412,8	916	2597	2497	1249
SFB-80-50-9-4	B	80	50	9,525	72,2	4	239	120	140	160	13,5	25	25	125	142,5	144,7	412,8	916	2597	2487	1244
SFB-80-50-9-5	B	80	50	9,525	72,2	5	314	120	140	160	13,5	25	25	125	142,5	176	521	916	3217	3082	1541
SFB-80-50-9-6	B	80	50	9,525	72,2	6	349	120	140	160	13,5	25	25	125	142,5	206,7	631	916	3832	3672	1836
SFB-80-50-12-2	B	80	50	12,7	71	2	143	130	150	170	13,5	30	25	135	152,5	118,9	276,2	903	1422	1361	681
SFB-80-50-12-3	U	80	50	12,7	71	3	198	135	155	175	13,5	25	25	140	157,5	169,2	417,5	903	2096	2014	1007
SFB-80-50-12-3	B	80	50	12,7	71	3	193	130	150	170	13,5	30	25	135	152,5	169,2	417,5	903	2096	2007	1004
SFB-80-50-12-4	U	80	50	12,7	71	4	248	135	155	175	13,5	25	25	140	157,5	217,4	560,8	903	2761	2654	1327
SFB-80-50-12-4	B	80	50	12,7	71	4	243	130	150	170	13,5	30	25	135	152,5	217,4	560,8	903	2761	2645	1323
SFB-80-50-12-5	B	80	50	12,7	71	5	318	130	150	170	13,5	30	25	135	152,5	264,3	706,2	903	3419	3277	1639
SFB-80-50-12-6	B	80	50	12,7	71	6	354	130	150	170	13,5	30	25	135	152,5	310,2	853,5	903	4072	3904	1952
SFB-80-50-15-2	B	80	50	15,875	67	2	149	140	166	192	17,5	30	25	145	168,5	162,4	405,8	826	1500	1439	720
SFB-80-50-15-3	B	80	50	15,875	67	3	199	140	166	192	17,5	30	25	145	168,5	231,2	613,2	826	2211	2122	1061
SFB-80-50-15-4	B	80	50	15,875	67	4	249	140	166	192	17,5	30	25	145	168,5	297,4	823,5	826	2912	2797	1399
SFB-80-50-15-5	B	80	50	15,875	67	5	324	140	166	192	17,5	30	25	145	168,5	361,8	1036,7	826	3607	3465	1733
SFB-80-50-15-6	B	80	50	15,875	67	6	360	140	166	192	17,5	30	25	145	168,5	425	1252,8	826	4298	4130	2065
SFB-80-50-15-7	B	80	50	15,875	67	7	422	140	166	192	17,5	30	25	145	168,5	487,1	1471,5	826	4985	4791	2396
SFB-80-50-15-8	B	80	50	15,875	67	8	472	140	166	192	17,5	30	25	145	168,5	546,4	1681,7	826	5662	5443	2722
SFB-80-50-19-2	B	80	50	19,05	64,1	2	155	150	176	202	17,5	30	40	155	178,5	199,3	465,9	774	1482	1426	713
SFB-80-50-19-3	B	80	50	19,05	64,1	3	205	150	176	202	17,5	30	40	155	178,5	283,6	703,3	774	2185	2104	1052
SFB-80-50-19-4	B	80	50	19,05	64,1	4	255	150	176	202	17,5	30	40	155	178,5	364,7	943,6	774	2878	2772	1386
SFB-80-50-19-5	B	80	50	19,05	64,1	5	330	150	176	202	17,5	30	40	155	178,5	443,7	1186,7	774	3565	3435	1718
SFB-80-50-19-6	B	80	50	19,05	64,1	6	366	150	176	202	17,5	30	40	155	178,5	521	1432,6	774	4247	4093	2047
SFB-80-50-19-7	B	80	50	19,05	64,1	7	428	150	176	202	17,5	30	40	155	178,5	597,2	1681,3	774	4926	4748	2374
SFB-80-50-19-8	B	80	50	19,05	64,1	8	478	150	176	202	17,5	30	40	155	178,5	669,8	1921,5	774	5594	5393	2697
SFB-100-10-6-3	U	100	10	6,35	94,5	3	67	135	155	175	13,5	22	16	140	157,5	64,7	252,7	1521	2156	1679	840
SFB-100-10-7-3	S	100	10	7,144	94,7	3	85	125	145	165	13,5	22	16	130	147,5	81,4	282,1	1532	2212	1545	773
SFB-100-10-7-4	S	100	10	7,144	94,7	4	95	125	145	165	13,5	22	16	130	147,5	104,7	380,6	1532	2914	2043	1022
SFB-100-10-7-5	S	100	10	7,144	94,6	5	107	125	145	165	13,5	22	16	130	147,5	127,4	481,1	1532	3609	2537	1269
SFB-100-10-7-6	S	100	10	7,144	94,6	6	118	125	145	165	13,5	22	16	130	147,5	149,6	583,7	1532	4300	3029	1515
SFB-100-16-8-3	U	100	16	7,938	93,3	3	90	150	176	202	17,5	30	25	155	178,5	96,7	324,2	1497	2320	2015	1008
SFB-100-16-8-4	U	100	16	7,938	93,3	4	106	150	176	202	17,5	30	25	155	178,5	124,3	437	1497	3056	2659	1330
SFB-100-16-9-3	U	100	16	9,525	92,2	3	98	150	176	202	17,5	30	25	155	178,5	125	386,8	1473	2413	2075	1038
SFB-100-16-9-3	B	100	16	9,525	92,2	3	87	140	166	192	17,5	30	25	145	168,5	125	386,8	1473	2413	2018	1009
SFB-100-16-9-4	U	100	16	9,525	92,2	4	114	150	176	202	17,5	30	25	155	178,5	160,7	520,8	1473	3179	2738	1369
SFB-100-16-9-4	B	100	16	9,525	92,2	4	111	140	166	192	17,5	30	25	145	168,5	160,7	520,8	1473	3179	2663	1332
SFB-100-16-9-5	U	100	16	9,525	92,2	5	130	150	176	202	17,5	30	25	155	178,5	199,5	677,7	1473	4047	3477	1739

IPIRANGA TMBS SINGLE NUT

Reference	Recirculation	Nominal diameter	Lead	Ball diameter	Root diameter	Circuits	Dimensions					Dimensions					Loads and rigidity				
							Ln	D1	D4	D6	D5	L7	L1	L8	L9	Cam KN	Coam KN	Rsm N/μm	Rbt N/μm	Rnu N/μm	Rnu.ar N/μm
SINGLE NUT	S/U/B	do	Ph	Dw	d3	i	Ln	D1	D4	D6	D5	L7	L1	L8	L9	Cam	Coam	Rsm	Rbt	Rnu	Rnu.ar
Ref	Tipo	mm	mm	mm	mm	units	mm	mm	mm	mm	mm	mm	mm	mm	mm	KN	KN	N/μm	N/μm	N/μm	N/μm
SFB-100-16-9-5	B	100	16	9,525	92,2	5	127	140	166	192	175	30	25	145	168,5	195,4	657,1	1473	3937	3303	1652
SFB-100-16-9-6	B	100	16	9,525	92,2	6	143	140	166	192	175	30	25	145	168,5	229,4	795,8	1473	4690	3939	1970
SFB-100-16-9-7	B	100	16	9,525	92,2	7	167	140	166	192	175	30	25	145	168,5	262,8	936,6	1473	5439	4573	2287
SFB-100-16-9-8	B	100	16	9,525	92,2	8	183	140	166	192	175	30	25	145	168,5	294,7	1070,5	1473	6176	5197	2599
SFB-100-16-9-9	B	100	16	9,525	92,2	9	199	140	166	192	175	30	25	145	168,5	332,9	1241,9	1473	7102	5956	2978
SFB-100-16-9-10	B	100	16	9,525	92,2	10	223	140	166	192	175	30	25	145	168,5	357,1	1338,1	1473	7641	6441	3221
SFB-100-16-9-11	B	100	16	9,525	92,2	11	239	140	166	192	175	30	25	145	168,5	387,6	1471,9	1473	8367	7058	3529
SFB-100-16-9-12	B	100	16	9,525	92,2	12	255	140	166	192	175	30	25	145	168,5	426,4	1655,9	1473	9343	7852	3926
SFB-100-16-9-13	B	100	16	9,525	92,2	13	279	140	166	192	175	30	25	145	168,5	447,5	1739,5	1473	9812	8286	4143
SFB-100-16-9-14	B	100	16	9,525	92,2	14	295	140	166	192	175	30	25	145	168,5	486,8	1931,8	1473	10822	9105	4553
SFB-100-16-9-15	B	100	16	9,525	92,2	15	311	140	166	192	175	30	25	145	168,5	516,6	2069,8	1473	11558	9729	4865
SFB-100-16-12-2	B	100	16	12,7	91	2	75	155	181	207	175	30	25	160	183,5	130,7	340,2	1458	1704	1450	725
SFB-100-16-12-3	B	100	16	12,7	91	3	91	155	181	207	175	30	25	160	183,5	191	535,7	1458	2604	2209	1105
SFB-100-16-12-4	B	100	16	12,7	91	4	107	155	181	207	175	30	25	160	183,5	245,4	719,5	1458	3429	2914	1457
SFB-100-16-12-5	B	100	16	12,7	91	5	131	155	181	207	175	30	25	160	183,5	298,2	905,9	1458	4246	3613	1807
SFB-100-16-12-6	B	100	16	12,7	91	6	147	155	181	207	175	30	25	160	183,5	349,9	1094,7	1458	5057	4308	2154
SFB-100-16-12-7	B	100	16	12,7	91	7	163	155	181	207	175	30	25	160	183,5	400,6	1286	1458	5863	4999	2500
SFB-100-16-12-8	B	100	16	12,7	91	8	179	155	181	207	175	30	25	160	183,5	449,3	1469,7	1458	6658	5682	2841
SFB-100-16-12-9	B	100	16	12,7	91	9	203	155	181	207	175	30	25	160	183,5	497,2	1653,5	1458	7449	6363	3182
SFB-100-16-12-10	B	100	16	12,7	91	10	219	155	181	207	175	30	25	160	183,5	544,4	1837,2	1458	8237	7041	3521
SFB-100-16-12-11	B	100	16	12,7	91	11	235	155	181	207	175	30	25	160	183,5	590,9	2020,9	1458	9020	7715	3858
SFB-100-16-12-12	B	100	16	12,7	91	12	251	155	181	207	175	30	25	160	183,5	636,8	2204,6	1458	9800	8387	4194
SFB-100-16-12-13	B	100	16	12,7	91	13	275	155	181	207	175	30	25	160	183,5	682,2	2388,3	1458	10577	9057	4529
SFB-100-16-12-14	B	100	16	12,7	91	14	291	155	181	207	175	30	25	160	183,5	727,1	2572	1458	11352	9725	4863
SFB-100-16-12-15	B	100	16	12,7	91	15	307	155	181	207	175	30	25	160	183,5	771,5	2755,8	1458	12123	10390	5195
SFB-100-16-12-16	B	100	16	12,7	91	16	323	155	181	207	175	30	25	160	183,5	815,6	2939,5	1458	12893	11055	5528
SFB-100-20-8-3	U	100	20	7,938	93,3	3	101	150	176	202	175	30	25	155	178,5	96,6	324	1497	2317	2068	1034
SFB-100-20-8-4	U	100	20	7,938	93,3	4	121	150	176	202	175	30	25	155	178,5	124,2	436,7	1497	3051	2726	1363
SFB-100-20-9-3	U	100	20	9,525	92,2	3	109	150	176	202	175	30	25	155	178,5	124,9	386,6	1473	2410	2133	1067
SFB-100-20-9-3	B	100	20	9,525	92,2	3	99	140	166	192	175	30	25	145	168,5	124,9	386,6	1473	2410	2084	1042
SFB-100-20-9-4	U	100	20	9,525	92,2	4	129	150	176	202	175	30	25	155	178,5	160,6	520,4	1473	3175	2813	1407
SFB-100-20-9-4	B	100	20	9,525	92,2	4	129	140	166	192	175	30	25	145	168,5	160,6	520,4	1473	3175	2750	1375
SFB-100-20-9-5	U	100	20	9,525	92,2	5	149	150	176	202	175	30	25	155	178,5	199,3	677,2	1473	4041	3573	1787
SFB-100-20-9-5	B	100	20	9,525	92,2	5	149	140	166	192	175	30	25	145	168,5	195,3	656,7	1473	3932	3409	1705
SFB-100-20-9-6	B	100	20	9,525	92,2	6	169	140	166	192	175	30	25	145	168,5	229,2	795,2	1473	4683	4064	2032
SFB-100-20-9-7	B	100	20	9,525	92,2	7	199	140	166	192	175	30	25	145	168,5	262,5	936	1473	5430	4716	2358
SFB-100-20-9-8	B	100	20	9,525	92,2	8	219	140	166	192	175	30	25	145	168,5	294,5	1069,7	1473	6168	5362	2681
SFB-100-20-9-9	B	100	20	9,525	92,2	9	239	140	166	192	175	30	25	145	168,5	332,6	1241	1473	7091	6146	3073
SFB-100-20-9-10	B	100	20	9,525	92,2	10	269	140	166	192	175	30	25	145	168,5	356,8	1337,1	1473	7630	6641	3321
SFB-100-20-9-11	B	100	20	9,525	92,2	11	289	140	166	192	175	30	25	145	168,5	387,2	1470,8	1473	8355	7277	3639
SFB-100-20-9-12	B	100	20	9,525	92,2	12	309	140	166	192	175	30	25	145	168,5	426	1654,7	1473	9329	8100	4050
SFB-100-20-9-13	B	100	20	9,525	92,2	13	339	140	166	192	175	30	25	145	168,5	447,1	1738,3	1473	9797	8541	4271

IPIRANGA
TMBS
SINGLE NUT

Reference	Recirculation	Nominal diameter	Lead	Ball diameter	Root diameter	Circuits	Dimensions					Dimensions					Loads and rigidity				
							Ln	D1	D4	D6	D5	L7	L1	L8	L9	Cam KN	Coam KN	Rsm N/μm	Rbt N/μm	Rnu N/μm	Rnu.ar N/μm
SINGLE NUT Ref	S/U/B Tipo	do mm	Ph mm	Dw mm	d3 mm	i units	Ln mm	D1 mm	D4 mm	D6 mm	D5 mm	L7 mm	L1 mm	L8 mm	L9 mm	Cam KN	Coam KN	Rsm N/μm	Rbt N/μm	Rnu N/μm	Rnu.ar N/μm
SFB-100-20-9-14	B	100	20	9,525	92,2	14	359	140	166	192	175	30	25	145	168,5	486,4	1930,5	1473	10806	9391	4696
SFB-100-20-9-15	B	100	20	9,525	92,2	15	377	140	166	192	175	30	25	145	168,5	516,1	2068,4	1473	11541	10034	5017
SFB-100-20-12-3	U	100	20	12,7	91	3	119	150	176	202	175	30	25	155	178,5	185,7	513,9	1458	2507	2181	1091
SFB-100-20-12-4	U	100	20	12,7	91	4	139	150	176	202	175	30	25	155	178,5	245,2	719	1458	3424	2969	1485
SFB-100-20-12-5	U	100	20	12,7	91	5	159	150	176	202	175	30	25	155	178,5	298	905,3	1458	4240	3681	1841
SFB-100-20-12-6	U	100	20	12,7	91	6	180	150	176	202	175	30	25	155	178,5	349,6	1094	1458	5050	4388	2194
SFB-100-20-12-7	U	100	20	12,7	91	7	199	150	176	202	175	30	25	155	178,5	400,2	1285,2	1458	5854	5091	2546
SFB-100-20-12-7	B	100	20	12,7	91	7	193	155	181	207	175	30	25	160	183,5	400,2	1285,2	1458	5854	5144	2572
SFB-100-20-12-8	B	100	20	12,7	91	8	213	155	181	207	175	30	25	160	183,5	448,9	1468,7	1458	6649	5847	2924
SFB-100-20-12-9	B	100	20	12,7	91	9	243	155	181	207	175	30	25	160	183,5	496,8	1652,3	1458	7439	6546	3273
SFB-100-20-12-10	B	100	20	12,7	91	10	263	155	181	207	175	30	25	160	183,5	543,9	1835,9	1458	8225	7242	3621
SFB-100-20-12-11	B	100	20	12,7	91	11	283	155	181	207	175	30	25	160	183,5	590,4	2019,5	1458	9007	7935	3968
SFB-100-20-12-12	B	100	20	12,7	91	12	303	155	181	207	175	30	25	160	183,5	636,3	2203,1	1458	9787	8626	4313
SFB-100-20-12-13	B	100	20	12,7	91	13	333	155	181	207	175	30	25	160	183,5	681,6	2386,7	1458	10562	9313	4657
SFB-100-20-12-14	B	100	20	12,7	91	14	353	155	181	207	175	30	25	160	183,5	726,5	2570,3	1458	11336	10000	5000
SFB-100-20-12-15	B	100	20	12,7	91	15	371	155	181	207	175	30	25	160	183,5	770,9	2753,9	1458	12106	10683	5342
SFB-100-20-12-16	B	100	20	12,7	91	16	391	155	181	207	175	30	25	160	183,5	814,9	2937,5	1458	12875	11365	5683
SFB-100-20-15-2	B	100	20	15,875	87	2	89	165	191	217	175	30	40	170	193,5	180	496,2	1359	1788	1578	789
SFB-100-20-15-3	B	100	20	15,875	87	3	109	165	191	217	175	30	40	170	193,5	256,1	749,7	1359	2635	2330	1165
SFB-100-20-15-4	B	100	20	15,875	87	4	129	165	191	217	175	30	40	170	193,5	340,7	1059,6	1359	3633	3200	1600
SFB-100-20-15-5	B	100	20	15,875	87	5	149	165	191	217	175	30	40	170	193,5	414,4	1333,8	1359	4500	3968	1984
SFB-100-20-15-6	B	100	20	15,875	87	6	179	165	191	217	175	30	40	170	193,5	486,4	1611,4	1359	5360	4730	2365
SFB-100-20-15-7	B	100	20	15,875	87	7	199	165	191	217	175	30	40	170	193,5	557,3	1892,5	1359	6216	5489	2745
SFB-100-20-15-8	B	100	20	15,875	87	8	219	165	191	217	175	30	40	170	193,5	625,1	2162,9	1359	7060	6239	3120
SFB-100-20-15-9	B	100	20	15,875	87	9	239	165	191	217	175	30	40	170	193,5	691,8	2433,2	1359	7899	6985	3493
SFB-100-20-15-10	B	100	20	15,875	87	10	259	165	191	217	175	30	40	170	193,5	757,4	2703,6	1359	8733	7726	3863
SFB-100-20-15-11	B	100	20	15,875	87	11	289	165	191	217	175	30	40	170	193,5	822,1	2973,9	1359	9564	8466	4233
SFB-100-20-15-12	B	100	20	15,875	87	12	309	165	191	217	175	30	40	170	193,5	885,9	3244,3	1359	10391	9202	4601
SFB-100-20-15-13	B	100	20	15,875	87	13	329	165	191	217	175	30	40	170	193,5	949,1	3514,7	1359	11215	9936	4968
SFB-100-20-15-14	B	100	20	15,875	87	14	349	165	191	217	175	30	40	170	193,5	1011,5	3785	1359	12036	10668	5334
SFB-100-20-15-15	B	100	20	15,875	87	15	367	165	191	217	175	30	40	170	193,5	1073,4	4055,4	1359	12854	11397	5699
SFB-100-20-15-16	B	100	20	15,875	87	16	397	165	191	217	175	30	40	170	193,5	1134,6	4325,7	1359	13670	12125	6063
SFB-100-25-9-2	U	100	25	9,525	92,2	2	98	150	176	202	175	30	25	155	178,5	85,8	246,9	1473	1586	1438	719
SFB-100-25-9-3	U	100	25	9,525	92,2	3	123	150	176	202	175	30	25	155	178,5	124,7	386,1	1473	2404	2178	1089
SFB-100-25-9-3	B	100	25	9,525	92,2	3	114	140	166	192	175	30	25	145	168,5	124,7	386,1	1473	2404	2137	1069
SFB-100-25-9-4	U	100	25	9,525	92,2	4	148	150	176	202	175	30	25	155	178,5	160,3	519,9	1473	3167	2872	1436
SFB-100-25-9-4	B	100	25	9,525	92,2	4	151	140	166	192	175	30	25	145	168,5	160,3	519,9	1473	3167	2819	1410
SFB-100-25-9-5	U	100	25	9,525	92,2	5	173	150	176	202	175	30	25	155	178,5	199	676,5	1473	4031	3650	1825
SFB-100-25-9-5	B	100	25	9,525	92,2	5	176	140	166	192	175	30	25	145	168,5	195	656	1473	3923	3495	1748
SFB-100-25-9-6	B	100	25	9,525	92,2	6	201	140	166	192	175	30	25	145	168,5	228,9	794,4	1473	4673	4167	2084
SFB-100-25-9-7	B	100	25	9,525	92,2	7	239	140	166	192	175	30	25	145	168,5	262,2	935	1473	5418	4834	2417
SFB-100-25-9-8	B	100	25	9,525	92,2	8	264	140	166	192	175	30	25	145	168,5	294,1	1068,5	1473	6154	5494	2747

IPIRANGA
TMBS
SINGLE NUT

Reference	Recirculation	Nominal diameter	Lead	Ball diameter	Root diameter	Circuits	Dimensions					Dimensions					Loads and rigidity				
							Ln	D1	D4	D6	D5	L7	L1	L8	L9	Cam KN	Coam KN	Rsm N/μm	Rbt N/μm	Rnu N/μm	Rnu.ar N/μm
SINGLE NUT Ref	S/U/B Tipo	do mm	Ph mm	Dw mm	d3 mm	i units	Ln mm	D1 mm	D4 mm	D6 mm	D5 mm	L7 mm	L1 mm	L8 mm	L9 mm	Cam KN	Coam KN	Rsm N/μm	Rbt N/μm	Rnu N/μm	Rnu.ar N/μm
SFB-100-25-9-9	B	100	25	9,525	92,2	9	289	140	166	192	175	30	25	145	168,5	332,1	1239,7	1473	7075	6302	3151
SFB-100-25-9-10	B	100	25	9,525	92,2	10	326	140	166	192	175	30	25	145	168,5	356,3	1335,7	1473	7612	6804	3402
SFB-100-25-9-11	B	100	25	9,525	92,2	11	351	140	166	192	175	30	25	145	168,5	386,7	1469,2	1473	8336	7454	3727
SFB-100-25-9-12	B	100	25	9,525	92,2	12	374	140	166	192	175	30	25	145	168,5	425,4	1652,9	1473	9308	8303	4152
SFB-100-25-12-2	U	100	25	12,7	91	2	108	150	176	202	175	30	25	155	178,5	130,4	339,7	1458	1698	1514	757
SFB-100-25-12-3	U	100	25	12,7	91	3	133	150	176	202	175	30	25	155	178,5	185,5	513,4	1458	2502	2235	1118
SFB-100-25-12-4	U	100	25	12,7	91	4	158	150	176	202	175	30	25	155	178,5	244,9	718,3	1458	3417	3044	1522
SFB-100-25-12-5	U	100	25	12,7	91	5	183	150	176	202	175	30	25	155	178,5	297,6	904,3	1458	4231	3773	1887
SFB-100-25-12-6	U	100	25	12,7	91	6	208	150	176	202	175	30	25	155	178,5	349,1	1092,9	1458	5039	4497	2249
SFB-100-25-12-7	U	100	25	12,7	91	7	233	150	176	202	175	30	25	155	178,5	399,7	1283,8	1458	5841	5217	2609
SFB-100-25-12-7	B	100	25	12,7	91	7	231	155	181	207	175	30	25	160	183,5	399,7	1283,8	1458	5841	5262	2631
SFB-100-25-12-8	B	100	25	12,7	91	8	256	155	181	207	175	30	25	160	183,5	448,3	1467,2	1458	6634	5980	2990
SFB-100-25-12-9	B	100	25	12,7	91	9	293	155	181	207	175	30	25	160	183,5	496,1	1650,6	1458	7423	6694	3347
SFB-100-25-12-10	B	100	25	12,7	91	10	318	155	181	207	175	30	25	160	183,5	543,2	1834	1458	8207	7405	3703
SFB-100-25-12-11	B	100	25	12,7	91	11	343	155	181	207	175	30	25	160	183,5	589,6	2017,4	1458	8988	8113	4057
SFB-100-25-12-12	B	100	25	12,7	91	12	366	155	181	207	175	30	25	160	183,5	635,4	2200,8	1458	9765	8818	4409
SFB-100-25-12-13	B	100	25	12,7	91	13	404	155	181	207	175	30	25	160	183,5	680,7	2384,2	1458	10539	9520	4760
SFB-100-25-12-14	B	100	25	12,7	91	14	429	155	181	207	175	30	25	160	183,5	725,5	2567,6	1458	11311	10221	5111
SFB-100-25-12-15	B	100	25	12,7	91	15	454	155	181	207	175	30	25	160	183,5	769,8	2751	1458	12079	10918	5459
SFB-100-25-12-16	B	100	25	12,7	91	16	479	155	181	207	175	30	25	160	183,5	813,7	2934,4	1458	12846	11615	5808
SFB-100-25-15-8	B	100	25	15,875	87	8	262	165	191	217	175	30	40	170	193,5	624,3	2160,6	1359	7044	6374	3187
SFB-100-25-15-9	B	100	25	15,875	87	9	287	165	191	217	175	30	40	170	193,5	690,8	2430,6	1359	7881	7136	3568
SFB-100-25-15-10	B	100	25	15,875	87	10	312	165	191	217	175	30	40	170	193,5	756,3	2700,7	1359	8714	7893	3947
SFB-100-25-15-11	B	100	25	15,875	87	11	349	165	191	217	175	30	40	170	193,5	820,9	2970,8	1359	9542	8647	4324
SFB-100-25-15-12	B	100	25	15,875	87	12	372	165	191	217	175	30	40	170	193,5	884,7	3240,9	1359	10368	9399	4700
SFB-100-25-15-13	B	100	25	15,875	87	13	397	165	191	217	175	30	40	170	193,5	947,8	3510,9	1359	11190	10148	5074
SFB-100-25-15-14	B	100	25	15,875	87	14	422	165	191	217	175	30	40	170	193,5	1010,1	3781	1359	12009	10894	5447
SFB-100-25-15-15	B	100	25	15,875	87	15	447	165	191	217	175	30	40	170	193,5	1071,9	4051,1	1359	12825	11638	5819
SFB-100-25-15-16	B	100	25	15,875	87	16	485	165	191	217	175	30	40	170	193,5	1133,1	4321,1	1359	13639	12380	6190
SFB-100-25-19-2	B	100	25	19,05	84,1	2	105	175	201	227	175	30	40	180	203,5	228,2	591,5	1292	1827	1658	829
SFB-100-25-19-3	B	100	25	19,05	84,1	3	130	175	201	227	175	30	40	180	203,5	324,6	892,8	1292	2692	2447	1224
SFB-100-25-19-4	B	100	25	19,05	84,1	4	155	175	201	227	175	30	40	180	203,5	434,4	1272,5	1292	3742	3388	1694
SFB-100-25-19-5	B	100	25	19,05	84,1	5	180	175	201	227	175	30	40	180	203,5	528,2	1600,2	1292	4634	4199	2100
SFB-100-25-19-6	B	100	25	19,05	84,1	6	205	175	201	227	175	30	40	180	203,5	619,9	1931,5	1292	5520	5005	2503
SFB-100-25-19-7	B	100	25	19,05	84,1	7	243	175	201	227	175	30	40	180	203,5	710,2	2266,4	1292	6401	5807	2904
SFB-100-25-19-8	B	100	25	19,05	84,1	8	268	175	201	227	175	30	40	180	203,5	796,6	2590,2	1292	7270	6599	3300
SFB-100-25-19-9	B	100	25	19,05	84,1	9	293	175	201	227	175	30	40	180	203,5	881,5	2914	1292	8133	7386	3693
SFB-100-25-19-10	B	100	25	19,05	84,1	10	318	175	201	227	175	30	40	180	203,5	965,1	3237,7	1292	8993	8171	4086
SFB-100-25-19-11	B	100	25	19,05	84,1	11	343	175	201	227	175	30	40	180	203,5	1047,6	3561,5	1292	9848	8951	4476
SFB-100-25-19-12	B	100	25	19,05	84,1	12	366	175	201	227	175	30	40	180	203,5	1129	3885,3	1292	10700	9729	4865
SFB-100-25-19-13	B	100	25	19,05	84,1	13	403	175	201	227	175	30	40	180	203,5	1209,4	4209,1	1292	11548	10504	5252
SFB-100-25-19-14	B	100	25	19,05	84,1	14	428	175	201	227	175	30	40	180	203,5	1289	4532,8	1292	12393	11276	5638

IPIRANGA
TMBS
SINGLE NUT

Reference	Recirculation	Nominal diameter	Lead	Ball diameter	Root diameter	Circuits	Dimensions					Dimensions					Loads and rigidity				
							Ln	D1	D4	D6	D5	L7	L1	L8	L9	Cam	Coam	Rsm	Rbt	Rnu	Rnu.ar
SINGLE NUT Ref	S/U/B Tipo	do mm	Ph mm	Dw mm	d3 mm	i units	mm	mm	mm	mm	mm	mm	mm	mm	mm	KN	KN	N/μm	N/μm	N/μm	N/μm
SFB-100-25-19-15	B	100	25	19,05	84,1	15	453	175	201	227	175	30	40	180	203,5	1367,8	4856,6	1292	13236	12046	6023
SFB-100-25-19-16	B	100	25	19,05	84,1	16	478	175	201	227	175	30	40	180	203,5	1445,9	5180,4	1292	14076	12814	6407
SFB-100-30-9-3	U	100	30	9,525	92,2	3	137	150	176	202	175	30	25	155	178,5	124,5	385,6	1473	2398	2208	1104
SFB-100-30-9-3	B	100	30	9,525	92,2	3	129	140	166	192	175	30	25	145	168,5	124,5	385,6	1473	2398	2173	1087
SFB-100-30-9-4	U	100	30	9,525	92,2	4	167	150	176	202	175	30	25	155	178,5	160,1	519,2	1473	3159	2911	1456
SFB-100-30-9-4	B	100	30	9,525	92,2	4	174	140	166	192	175	30	25	145	168,5	160,1	519,2	1473	3159	2865	1433
SFB-100-30-9-5	U	100	30	9,525	92,2	5	197	150	176	202	175	30	25	155	178,5	198,7	675,6	1473	4020	3699	1850
SFB-100-30-9-5	B	100	30	9,525	92,2	5	204	140	166	192	175	30	25	145	168,5	194,6	655,1	1473	3911	3550	1775
SFB-100-30-9-6	B	100	30	9,525	92,2	6	234	140	166	192	175	30	25	145	168,5	228,5	793,3	1473	4660	4233	2117
SFB-100-30-9-7	B	100	30	9,525	92,2	7	279	140	166	192	175	30	25	145	168,5	261,7	933,7	1473	5403	4910	2455
SFB-100-30-9-8	B	100	30	9,525	92,2	8	309	140	166	192	175	30	25	145	168,5	293,5	1067,1	1473	6136	5580	2790
SFB-100-30-9-9	B	100	30	9,525	92,2	9	339	140	166	192	175	30	25	145	168,5	331,6	1238	1473	7056	6403	3202
SFB-100-30-9-10	B	100	30	9,525	92,2	10	382	140	166	192	175	30	25	145	168,5	355,6	1333,9	1473	7590	6908	3454
SFB-100-30-12-3	U	100	30	12,7	91	3	147	150	176	202	175	30	25	155	178,5	185,2	512,7	1458	2495	2270	1135
SFB-100-30-12-4	U	100	30	12,7	91	4	177	150	176	202	175	30	25	155	178,5	244,5	717,4	1458	3408	3093	1547
SFB-100-30-12-5	U	100	30	12,7	91	5	207	150	176	202	175	30	25	155	178,5	297,1	903,2	1458	4219	3833	1917
SFB-100-30-12-6	U	100	30	12,7	91	6	237	150	176	202	175	30	25	155	178,5	348,5	1091,5	1458	5025	4568	2284
SFB-100-30-12-7	U	100	30	12,7	91	7	267	150	176	202	175	30	25	155	178,5	399	1282,2	1458	5826	5299	2650
SFB-100-30-12-7	B	100	30	12,7	91	7	268	155	181	207	175	30	25	160	183,5	399	1282,2	1458	5826	5338	2669
SFB-100-30-12-8	B	100	30	12,7	91	8	298	155	181	207	175	30	25	160	183,5	447,6	1465,3	1458	6617	6065	3033
SFB-100-30-12-9	B	100	30	12,7	91	9	343	155	181	207	175	30	25	160	183,5	495,3	1648,5	1458	7403	6789	3395
SFB-100-30-12-10	B	100	30	12,7	91	10	371	155	181	207	175	30	25	160	183,5	542,3	1831,7	1458	8185	7509	3755
SFB-100-30-12-11	B	100	30	12,7	91	11	401	155	181	207	175	30	25	160	183,5	588,6	2014,8	1458	8963	8226	4113
SFB-100-30-12-12	B	100	30	12,7	91	12	431	155	181	207	175	30	25	160	183,5	634,3	2198	1458	9738	8940	4470
SFB-100-30-12-13	B	100	30	12,7	91	13	476	155	181	207	175	30	25	160	183,5	679,5	2381,2	1458	10511	9652	4826
SFB-100-30-15-8	B	100	30	15,875	87	8	304	165	191	217	175	30	40	170	193,5	623,2	2157,8	1359	7025	6461	3231
SFB-100-30-15-9	B	100	30	15,875	87	9	334	165	191	217	175	30	40	170	193,5	689,6	2427,5	1359	7859	7231	3616
SFB-100-30-15-10	B	100	30	15,875	87	10	362	165	191	217	175	30	40	170	193,5	755,1	2697,2	1359	8690	7999	4000
SFB-100-30-15-11	B	100	30	15,875	87	11	407	165	191	217	175	30	40	170	193,5	819,6	2966,9	1359	9517	8763	4382
SFB-100-30-15-12	B	100	30	15,875	87	12	437	165	191	217	175	30	40	170	193,5	883,2	3236,7	1359	10339	9523	4762
SFB-100-30-15-13	B	100	30	15,875	87	13	467	165	191	217	175	30	40	170	193,5	946,2	3506,4	1359	11160	10282	5141
SFB-100-30-19-3	B	100	30	19,05	84,1	3	145	175	201	227	175	30	40	180	203,5	324	891,7	1292	2684	2478	1239
SFB-100-30-19-4	B	100	30	19,05	84,1	4	175	175	201	227	175	30	40	180	203,5	433,7	1270,9	1292	3732	3434	1717
SFB-100-30-19-5	B	100	30	19,05	84,1	5	205	175	201	227	175	30	40	180	203,5	527,3	1598,1	1292	4621	4255	2128
SFB-100-30-19-6	B	100	30	19,05	84,1	6	235	175	201	227	175	30	40	180	203,5	618,9	1929	1292	5505	5071	2536
SFB-100-30-19-7	B	100	30	19,05	84,1	7	280	175	201	227	175	30	40	180	203,5	709	2263,5	1292	6383	5883	2942
SFB-100-30-19-8	B	100	30	19,05	84,1	8	310	175	201	227	175	30	40	180	203,5	795,3	2586,9	1292	7250	6685	3343
SFB-100-30-19-9	B	100	30	19,05	84,1	9	340	175	201	227	175	30	40	180	203,5	880,1	2910,2	1292	8112	7483	3742
SFB-100-30-19-10	B	100	30	19,05	84,1	10	368	175	201	227	175	30	40	180	203,5	963,5	3233,6	1292	8968	8276	4138
SFB-100-30-19-11	B	100	30	19,05	84,1	11	398	175	201	227	175	30	40	180	203,5	1045,8	3556,9	1292	9821	9066	4533
SFB-100-30-19-12	B	100	30	19,05	84,1	12	428	175	201	227	175	30	40	180	203,5	1127,1	3880,3	1292	10671	9854	4927
SFB-100-30-19-13	B	100	30	19,05	84,1	13	473	175	201	227	175	30	40	180	203,5	1207,4	4203,6	1292	11517	10638	5319

IPIRANGA
TMBS
SINGLE NUT

Reference	Recirculation	Nominal diameter	Lead	Ball diameter	Root diameter	Circuits	Dimensions					Dimensions					Loads and rigidity				
							Ln	D1	D4	D6	D5	L7	L1	L8	L9	Cam	Coam	Rsm	Rbt	Rnu	Rnu.ar
SINGLE NUT Ref	S/U/B Tipo	do mm	Ph mm	Dw mm	d3 mm	i units	mm	mm	mm	mm	mm	mm	mm	mm	mm	KN	KN	N/μm	N/μm	N/μm	N/μm
SFB-100-40-9-3	U	100	40	9,525	92,2	3	165	150	176	202	175	30	25	155	178,5	123,9	384,3	1473	2380	2237	1119
SFB-100-40-9-4	U	100	40	9,525	92,2	4	205	150	176	202	175	30	25	155	178,5	159,4	517,4	1473	3136	2949	1475
SFB-100-40-9-5	U	100	40	9,525	92,2	5	245	150	176	202	175	30	25	155	178,5	197,8	673,3	1473	3992	3750	1875
SFB-100-40-12-2	B	100	40	12,7	91	2	123	155	181	207	175	30	25	160	183,5	129,7	338,1	1458	1682	1573	787
SFB-100-40-12-3	U	100	40	12,7	91	3	174	150	176	202	175	30	25	155	178,5	184,4	511	1458	2478	2308	1154
SFB-100-40-12-3	B	100	40	12,7	91	3	163	155	181	207	175	30	25	160	183,5	189,5	532,3	1458	2570	2401	1201
SFB-100-40-12-4	U	100	40	12,7	91	4	214	150	176	202	175	30	25	155	178,5	243,4	715	1458	3384	3146	1573
SFB-100-40-12-4	B	100	40	12,7	91	4	203	155	181	207	175	30	25	160	183,5	243,4	715	1458	3384	3164	1582
SFB-100-40-12-5	U	100	40	12,7	91	5	254	150	176	202	175	30	25	155	178,5	295,8	900,3	1458	4191	3898	1949
SFB-100-40-12-5	B	100	40	12,7	91	5	263	155	181	207	175	30	25	160	183,5	295,8	900,3	1458	4191	3920	1960
SFB-100-40-12-6	B	100	40	12,7	91	6	303	155	181	207	175	30	25	160	183,5	347,1	1087,9	1458	4991	4671	2336
SFB-100-40-12-7	B	100	40	12,7	91	7	343	155	181	207	175	30	25	160	183,5	397,4	1278	1458	5787	5418	2709
SFB-100-40-12-8	B	100	40	12,7	91	8	381	155	181	207	175	30	25	160	183,5	445,7	1460,6	1458	6572	6155	3078
SFB-100-40-12-9	B	100	40	12,7	91	9	441	155	181	207	175	30	25	160	183,5	493,2	1643,2	1458	7353	6889	3445
SFB-100-40-12-10	B	100	40	12,7	91	10	481	155	181	207	175	30	25	160	183,5	540	1825,7	1458	8129	7618	3809
SFB-100-40-15-2	B	100	40	15,875	87	2	129	165	191	217	175	30	40	170	193,5	178,7	493,4	1359	1767	1658	829
SFB-100-40-15-3	B	100	40	15,875	87	3	169	165	191	217	175	30	40	170	193,5	254,2	745,4	1359	2604	2446	1223
SFB-100-40-15-4	B	100	40	15,875	87	4	209	165	191	217	175	30	40	170	193,5	338,2	1053,7	1359	3590	3365	1683
SFB-100-40-15-5	B	100	40	15,875	87	5	249	165	191	217	175	30	40	170	193,5	411,3	1326,3	1359	4447	4171	2086
SFB-100-40-15-6	B	100	40	15,875	87	6	309	165	191	217	175	30	40	170	193,5	482,9	1602,3	1359	5297	4970	2485
SFB-100-40-15-7	B	100	40	15,875	87	7	349	165	191	217	175	30	40	170	193,5	553,2	1881,9	1359	6143	5766	2883
SFB-100-40-15-8	B	100	40	15,875	87	8	387	165	191	217	175	30	40	170	193,5	620,6	2150,7	1359	6977	6551	3276
SFB-100-40-15-9	B	100	40	15,875	87	9	427	165	191	217	175	30	40	170	193,5	686,7	2419,5	1359	7806	7332	3666
SFB-100-40-15-10	B	100	40	15,875	87	10	467	165	191	217	175	30	40	170	193,5	751,8	2688,4	1359	8630	8108	4054
SFB-100-40-19-2	B	100	40	19,05	84,1	2	135	175	201	227	175	30	40	180	203,5	226,8	588,8	1292	1809	1702	851
SFB-100-40-19-3	B	100	40	19,05	84,1	3	175	175	201	227	175	30	40	180	203,5	322,7	888,7	1292	2666	2510	1255
SFB-100-40-19-4	B	100	40	19,05	84,1	4	215	175	201	227	175	30	40	180	203,5	431,8	1266,7	1292	3706	3481	1741
SFB-100-40-19-5	B	100	40	19,05	84,1	5	255	175	201	227	175	30	40	180	203,5	525	1592,9	1292	4590	4313	2157
SFB-100-40-19-6	B	100	40	19,05	84,1	6	315	175	201	227	175	30	40	180	203,5	616,3	1922,7	1292	5467	5140	2570
SFB-100-40-19-7	B	100	40	19,05	84,1	7	355	175	201	227	175	30	40	180	203,5	706	2256,1	1292	6340	5963	2982
SFB-100-40-19-8	B	100	40	19,05	84,1	8	393	175	201	227	175	30	40	180	203,5	791,9	2578,4	1292	7200	6774	3387
SFB-100-40-19-9	B	100	40	19,05	84,1	9	433	175	201	227	175	30	40	180	203,5	876,3	2900,7	1292	8056	7582	3791
SFB-100-40-19-10	B	100	40	19,05	84,1	10	473	175	201	227	175	30	40	180	203,5	959,4	3223	1292	8907	8385	4193
SFB-100-50-9-3	U	100	50	9,525	92,2	3	193	150	176	202	175	30	25	155	178,5	123,2	382,7	1473	2359	2245	1123
SFB-100-50-9-4	U	100	50	9,525	92,2	4	243	150	176	202	175	30	25	155	178,5	158,5	515,2	1473	3108	2959	1480
SFB-100-50-12-2	B	100	50	12,7	91	2	143	155	181	207	175	30	25	160	183,5	129	336,7	1458	1668	1581	791
SFB-100-50-12-3	U	100	50	12,7	91	3	201	150	176	202	175	30	25	155	178,5	183,4	508,9	1458	2457	2321	1161
SFB-100-50-12-3	B	100	50	12,7	91	3	193	155	181	207	175	30	25	160	183,5	188,5	530,1	1458	2548	2413	1207
SFB-100-50-12-4	U	100	50	12,7	91	4	251	150	176	202	175	30	25	155	178,5	242,1	712,1	1458	3355	3165	1583
SFB-100-50-12-4	B	100	50	12,7	91	4	243	155	181	207	175	30	25	160	183,5	242,1	712,1	1458	3355	3179	1590
SFB-100-50-12-5	B	100	50	12,7	91	5	318	155	181	207	175	30	25	160	183,5	294,3	896,5	1458	4155	3939	1970
SFB-100-50-12-6	B	100	50	12,7	91	6	366	155	181	207	175	30	25	160	183,5	345,2	1083,4	1458	4948	4693	2347

IPIRANGA
TMBS
SINGLE NUT

Reference	Recirculation	Nominal diameter	Lead	Ball diameter	Root diameter	Circuits	Dimensions					Dimensions					Loads and rigidity				
							Ln	D1	D4	D6	D5	L7	L1	L8	L9	Cam KN	Coam KN	Rsm N/μm	Rbt N/μm	Rnu N/μm	Rnu.ar N/μm
SINGLE NUT Ref	S/U/B Tipo	do mm	Ph mm	Dw mm	d3 mm	i units	Ln mm	D1 mm	D4 mm	D6 mm	D5 mm	L7 mm	L1 mm	L8 mm	L9 mm	Cam KN	Coam KN	Rsm N/μm	Rbt N/μm	Rnu N/μm	Rnu.ar N/μm
SFB-100-50-12-7	B	100	50	12,7	91	7	416	155	181	207	175	30	25	160	183,5	395,2	1272,7	1458	5736	5442	2721
SFB-100-50-12-8	B	100	50	12,7	91	8	466	155	181	207	175	30	25	160	183,5	443,3	1454,6	1458	6515	6183	3092
SFB-100-50-15-2	B	100	50	15,875	87	2	149	165	191	217	175	30	40	170	193,5	177,7	491,3	1359	1752	1665	833
SFB-100-50-15-3	B	100	50	15,875	87	3	199	165	191	217	175	30	40	170	193,5	252,9	742,3	1359	2582	2456	1228
SFB-100-50-15-4	B	100	50	15,875	87	4	249	165	191	217	175	30	40	170	193,5	336,4	1049,3	1359	3559	3380	1690
SFB-100-50-15-5	B	100	50	15,875	87	5	324	165	191	217	175	30	40	170	193,5	409,1	1320,7	1359	4408	4188	2094
SFB-100-50-15-6	B	100	50	15,875	87	6	372	165	191	217	175	30	40	170	193,5	480,2	1595,6	1359	5251	4991	2496
SFB-100-50-15-7	B	100	50	15,875	87	7	422	165	191	217	175	30	40	170	193,5	550,2	1874	1359	6089	5789	2895
SFB-100-50-15-8	B	100	50	15,875	87	8	472	165	191	217	175	30	40	170	193,5	617,2	2141,7	1359	6915	6576	3288
SFB-100-50-19-2	B	100	50	19,05	84,1	2	155	175	201	227	175	30	40	180	203,5	225,6	586,4	1292	1794	1709	855
SFB-100-50-19-3	B	100	50	19,05	84,1	3	205	175	201	227	175	30	40	180	203,5	320,9	885	1292	2643	2519	1260
SFB-100-50-19-4	B	100	50	19,05	84,1	4	255	175	201	227	175	30	40	180	203,5	429,5	1261,4	1292	3674	3495	1748
SFB-100-50-19-5	B	100	50	19,05	84,1	5	330	175	201	227	175	30	40	180	203,5	501,5	1492,9	1292	4311	4113	2057
SFB-100-50-19-6	B	100	50	19,05	84,1	6	378	175	201	227	175	30	40	180	203,5	612,9	1914,7	1292	5419	5159	2580
SFB-100-50-19-7	B	100	50	19,05	84,1	7	428	175	201	227	175	30	40	180	203,5	702,2	2246,7	1292	6284	5984	2992
SFB-100-50-19-8	B	100	50	19,05	84,1	8	478	175	201	227	175	30	40	180	203,5	787,6	2567,7	1292	7137	6798	3399
SFB-120-16-9-3	U	120	16	9,525	112,2	3	99	170	196	222	175	30	25	175	198,5	133,6	461,8	2163	2769	2292	1146
SFB-120-16-9-3	B	120	16	9,525	112,2	3	87	160	186	212	175	30	25	165	188,5	133,6	461,8	2163	2769	2209	1105
SFB-120-16-9-4	U	120	16	9,525	112,2	4	115	170	196	222	175	30	25	175	198,5	174,8	638,1	2163	3733	3084	1542
SFB-120-16-9-4	B	120	16	9,525	112,2	4	111	160	186	212	175	30	25	165	188,5	171,8	621,7	2163	3648	2918	1459
SFB-120-16-9-5	B	120	16	9,525	112,2	5	127	160	186	212	175	30	25	165	188,5	208,8	784,4	2163	4517	3619	1810
SFB-120-16-9-6	B	120	16	9,525	112,2	6	143	160	186	212	175	30	25	165	188,5	249,4	974,9	2163	5506	4398	2199
SFB-120-16-9-7	B	120	16	9,525	112,2	7	167	160	186	212	175	30	25	165	188,5	285,6	1147,3	2163	6384	5106	2553
SFB-120-16-9-8	B	120	16	9,525	112,2	8	183	160	186	212	175	30	25	165	188,5	320,4	1311,2	2163	7251	5806	2903
SFB-120-16-9-9	B	120	16	9,525	112,2	9	199	160	186	212	175	30	25	165	188,5	354,5	1475,1	2163	8112	6503	3252
SFB-120-16-9-10	B	120	16	9,525	112,2	10	223	160	186	212	175	30	25	165	188,5	388,2	1639	2163	8970	7197	3599
SFB-120-16-9-11	B	120	16	9,525	112,2	11	239	160	186	212	175	30	25	165	188,5	421,3	1802,9	2163	9823	7888	3944
SFB-120-16-9-12	B	120	16	9,525	112,2	12	255	160	186	212	175	30	25	165	188,5	454	1966,8	2163	10672	8577	4289
SFB-120-16-9-13	B	120	16	9,525	112,2	13	279	160	186	212	175	30	25	165	188,5	486,4	2130,7	2163	11518	9264	4632
SFB-120-16-9-14	B	120	16	9,525	112,2	14	295	160	186	212	175	30	25	165	188,5	518,4	2294,6	2163	12362	9949	4975
SFB-120-16-9-15	B	120	16	9,525	112,2	15	311	160	186	212	175	30	25	165	188,5	550,1	2458,6	2163	13202	10632	5316
SFB-120-16-12-2	B	120	16	12,7	111	2	75	175	201	227	175	30	40	180	203,5	142	414	2144	1989	1621	811
SFB-120-16-12-3	B	120	16	12,7	111	3	91	175	201	227	175	30	40	180	203,5	201,9	625,6	2144	2930	2395	1198
SFB-120-16-12-4	B	120	16	12,7	111	4	107	175	201	227	175	30	40	180	203,5	265,3	869,3	2144	3977	3240	1620
SFB-120-16-12-5	B	120	16	12,7	111	5	131	175	201	227	175	30	40	180	203,5	315,1	1057,9	2144	4778	3921	1961
SFB-120-16-12-6	B	120	16	12,7	111	6	147	175	201	227	175	30	40	180	203,5	378	1322,4	2144	5863	4791	2396
SFB-120-16-12-7	B	120	16	12,7	111	7	163	175	201	227	175	30	40	180	203,5	432,7	1553,3	2144	6797	5561	2781
SFB-120-16-12-8	B	120	16	12,7	111	8	179	175	201	227	175	30	40	180	203,5	485,4	1775,2	2144	7720	6323	3162
SFB-120-16-12-9	B	120	16	12,7	111	9	203	175	201	227	175	30	40	180	203,5	537,2	1997,1	2144	8638	7082	3541
SFB-120-16-12-10	B	120	16	12,7	111	10	219	175	201	227	175	30	40	180	203,5	588,1	2219	2144	9551	7837	3919
SFB-120-16-12-11	B	120	16	12,7	111	11	235	175	201	227	175	30	40	180	203,5	638,3	2440,9	2144	10459	8589	4295
SFB-120-16-12-12	B	120	16	12,7	111	12	251	175	201	227	175	30	40	180	203,5	687,9	2662,8	2144	11363	9338	4669

IPIRANGA
TMBS
SINGLE NUT

Reference	Recirculation	Nominal diameter	Lead	Ball diameter	Root diameter	Circuits	Dimensions					Dimensions					Loads and rigidity				
							Ln	D1	D4	D6	D5	L7	L1	L8	L9	Cam	Coam	Rsm	Rbt	Rnu	Rnu.ar
SINGLE NUT Ref	S/U/B Tipo	do mm	Ph mm	Dw mm	d3 mm	i units	mm	mm	mm	mm	mm	mm	mm	mm	mm	KN	KN	N/μm	N/μm	N/μm	N/μm
SFB-120-16-12-13	B	120	16	12,7	111	13	275	175	201	227	175	30	40	180	203,5	737	2884,7	2144	12265	10086	5043
SFB-120-16-12-14	B	120	16	12,7	111	14	291	175	201	227	175	30	40	180	203,5	785,4	3106,6	2144	13162	10830	5415
SFB-120-16-12-15	B	120	16	12,7	111	15	307	175	201	227	175	30	40	180	203,5	833,5	3328,5	2144	14057	11573	5787
SFB-120-16-12-16	B	120	16	12,7	111	16	323	175	201	227	175	30	40	180	203,5	881	3550,4	2144	14949	12314	6157
SFB-120-20-9-3	B	120	20	9,525	112,2	3	99	160	186	212	175	30	25	165	188,5	133,5	461,6	2163	2766	2300	1150
SFB-120-20-9-4	B	120	20	9,525	112,2	4	129	160	186	212	175	30	25	165	188,5	171,7	621,4	2163	3644	3037	1519
SFB-120-20-9-5	B	120	20	9,525	112,2	5	149	160	186	212	175	30	25	165	188,5	208,7	784,1	2163	4512	3766	1883
SFB-120-20-9-6	B	120	20	9,525	112,2	6	169	160	186	212	175	30	25	165	188,5	249,2	974,4	2163	5500	4578	2289
SFB-120-20-9-7	B	120	20	9,525	112,2	7	199	160	186	212	175	30	25	165	188,5	285,4	1146,8	2163	6377	5314	2657
SFB-120-20-9-8	B	120	20	9,525	112,2	8	219	160	186	212	175	30	25	165	188,5	320,2	1310,6	2163	7244	6042	3021
SFB-120-20-9-9	B	120	20	9,525	112,2	9	239	160	186	212	175	30	25	165	188,5	354,3	1474,4	2163	8104	6766	3383
SFB-120-20-9-10	B	120	20	9,525	112,2	10	269	160	186	212	175	30	25	165	188,5	387,9	1638,2	2163	8960	7486	3743
SFB-120-20-9-11	B	120	20	9,525	112,2	11	289	160	186	212	175	30	25	165	188,5	421	1802,1	2163	9812	8204	4102
SFB-120-20-9-12	B	120	20	9,525	112,2	12	309	160	186	212	175	30	25	165	188,5	453,8	1965,9	2163	10662	8921	4461
SFB-120-20-9-13	B	120	20	9,525	112,2	13	339	160	186	212	175	30	25	165	188,5	486,1	2129,7	2163	11507	9634	4817
SFB-120-20-9-14	B	120	20	9,525	112,2	14	359	160	186	212	175	30	25	165	188,5	518,1	2293,5	2163	12349	10344	5172
SFB-120-20-9-15	B	120	20	9,525	112,2	15	377	160	186	212	175	30	25	165	188,5	549,8	2457,4	2163	13189	11054	5527
SFB-120-20-12-3	U	120	20	12,7	111	3	120	170	196	222	175	30	25	175	198,5	201,8	625,3	2144	2927	2449	1225
SFB-120-20-12-4	U	120	20	12,7	111	4	140	170	196	222	175	30	25	175	198,5	259,2	839,9	2144	3855	3232	1616
SFB-120-20-12-5	U	120	20	12,7	111	5	160	170	196	222	175	30	25	175	198,5	322,1	1093,8	2144	4919	4110	2055
SFB-120-20-12-6	U	120	20	12,7	111	6	180	170	196	222	175	30	25	175	198,5	377,8	1321,8	2144	5858	4901	2451
SFB-120-20-12-6	B	120	20	12,7	111	6	173	175	201	227	175	30	40	180	203,5	377,8	1321,8	2144	5858	4970	2485
SFB-120-20-12-7	B	120	20	12,7	111	7	193	175	201	227	175	30	40	180	203,5	432,5	1552,6	2144	6791	5767	2884
SFB-120-20-12-8	B	120	20	12,7	111	8	213	175	201	227	175	30	40	180	203,5	485,1	1774,4	2144	7713	6556	3278
SFB-120-20-12-9	B	120	20	12,7	111	9	243	175	201	227	175	30	40	180	203,5	536,8	1996,1	2144	8629	7340	3670
SFB-120-20-12-10	B	120	20	12,7	111	10	263	175	201	227	175	30	40	180	203,5	587,7	2217,9	2144	9541	8122	4061
SFB-120-20-12-11	B	120	20	12,7	111	11	283	175	201	227	175	30	40	180	203,5	637,9	2439,7	2144	10448	8900	4450
SFB-120-20-12-12	B	120	20	12,7	111	12	303	175	201	227	175	30	40	180	203,5	687,5	2661,5	2144	11352	9675	4838
SFB-120-20-12-13	B	120	20	12,7	111	13	333	175	201	227	175	30	40	180	203,5	736,5	2883,3	2144	12252	10448	5224
SFB-120-20-12-14	B	120	20	12,7	111	14	353	175	201	227	175	30	40	180	203,5	785	3105,1	2144	13149	11219	5610
SFB-120-20-12-15	B	120	20	12,7	111	15	371	175	201	227	175	30	40	180	203,5	833	3326,9	2144	14043	11987	5994
SFB-120-20-12-16	B	120	20	12,7	111	16	391	175	201	227	175	30	40	180	203,5	880,5	3548,7	2144	14934	12753	6377
SFB-120-20-15-2	B	120	20	15,875	107	2	89	185	211	237	175	30	40	190	213,5	197,8	606,2	2023	2098	1790	895
SFB-120-20-15-3	B	120	20	15,875	107	3	109	185	211	237	175	30	40	190	213,5	281,4	915,9	2023	3092	2645	1323
SFB-120-20-15-4	B	120	20	15,875	107	4	129	185	211	237	175	30	40	190	213,5	372,1	1283,2	2023	4230	3605	1803
SFB-120-20-15-5	B	120	20	15,875	107	5	149	185	211	237	175	30	40	190	213,5	452,4	1615	2023	5238	4470	2235
SFB-120-20-15-6	B	120	20	15,875	107	6	179	185	211	237	175	30	40	190	213,5	530,9	1950,9	2023	6239	5329	2665
SFB-120-20-15-7	B	120	20	15,875	107	7	199	185	211	237	175	30	40	190	213,5	608,1	2291,1	2023	7235	6186	3093
SFB-120-20-15-8	B	120	20	15,875	107	8	219	185	211	237	175	30	40	190	213,5	682,1	2618,4	2023	8217	7032	3516
SFB-120-20-15-9	B	120	20	15,875	107	9	239	185	211	237	175	30	40	190	213,5	754,8	2945,6	2023	9193	7873	3937
SFB-120-20-15-10	B	120	20	15,875	107	10	259	185	211	237	175	30	40	190	213,5	826,4	3272,9	2023	10164	8711	4356
SFB-120-20-15-11	B	120	20	15,875	107	11	289	185	211	237	175	30	40	190	213,5	897	3600,2	2023	11131	9545	4773

IPIRANGA
TMBS
SINGLE NUT

Reference	Recirculation	Nominal diameter	Lead	Ball diameter	Root diameter	Circuits	Dimensions					Dimensions					Loads and rigidity				
							Ln	D1	D4	D6	D5	L7	L1	L8	L9	Cam	Coam	Rsm	Rbt	Rnu	Rnu.ar
SINGLE NUT Ref	S/U/B Tipo	do mm	Ph mm	Dw mm	d3 mm	i units	mm	mm	mm	mm	mm	mm	mm	mm	mm	KN	KN	N/μm	N/μm	N/μm	N/μm
SFB-120-20-15-12	B	120	20	15,875	107	12	309	185	211	237	175	30	40	190	213,5	966,7	3927,5	2023	12094	10377	5189
SFB-120-20-15-13	B	120	20	15,875	107	13	329	185	211	237	175	30	40	190	213,5	1035,5	4254,8	2023	13052	11205	5603
SFB-120-20-15-14	B	120	20	15,875	107	14	349	185	211	237	175	30	40	190	213,5	1103,7	4582,1	2023	14008	12032	6016
SFB-120-20-15-15	B	120	20	15,875	107	15	367	185	211	237	175	30	40	190	213,5	1171,2	4909,4	2023	14961	12856	6428
SFB-120-20-15-16	B	120	20	15,875	107	16	397	185	211	237	175	30	40	190	213,5	1238	5236,7	2023	15910	13677	6839
SFB-120-30-12-3	U	120	30	12,7	111	3	148	170	196	222	175	30	25	175	198,5	201,3	624,3	2144	2917	2582	1291
SFB-120-30-12-4	U	120	30	12,7	111	4	178	170	196	222	175	30	25	175	198,5	258,6	838,5	2144	3841	3405	1703
SFB-120-30-12-5	U	120	30	12,7	111	5	208	170	196	222	175	30	25	175	198,5	321,4	1092	2144	4902	4335	2168
SFB-120-30-12-6	U	120	30	12,7	111	6	238	170	196	222	175	30	25	175	198,5	377	1319,6	2144	5838	5168	2584
SFB-120-30-12-6	B	120	30	12,7	111	6	238	175	201	227	175	30	40	180	203,5	377	1319,6	2144	5838	5218	2609
SFB-120-30-12-7	B	120	30	12,7	111	7	268	175	201	227	175	30	40	180	203,5	431,6	1550	2144	6768	6054	3027
SFB-120-30-12-8	B	120	30	12,7	111	8	298	175	201	227	175	30	40	180	203,5	484,1	1771,4	2144	7686	6879	3440
SFB-120-30-12-9	B	120	30	12,7	111	9	343	175	201	227	175	30	40	180	203,5	535,7	1992,9	2144	8600	7702	3851
SFB-120-30-12-10	B	120	30	12,7	111	10	371	175	201	227	175	30	40	180	203,5	586,5	2214,3	2144	9508	8519	4260
SFB-120-30-12-11	B	120	30	12,7	111	11	401	175	201	227	175	30	40	180	203,5	636,6	2435,7	2144	10413	9334	4667
SFB-120-30-12-12	B	120	30	12,7	111	12	431	175	201	227	175	30	40	180	203,5	686	2657,2	2144	11313	10145	5073
SFB-120-30-12-13	B	120	30	12,7	111	13	476	175	201	227	175	30	40	180	203,5	734,9	2878,6	2144	12210	10954	5477
SFB-120-30-12-14	B	120	30	12,7	111	14	506	175	201	227	175	30	40	180	203,5	783,3	3100	2144	13104	11760	5880
SFB-120-30-12-15	B	120	30	12,7	111	15	536	175	201	227	175	30	40	180	203,5	831,2	3321,5	2144	13995	12564	6282
SFB-120-30-15-8	B	120	30	15,875	107	8	304	185	211	237	175	30	40	190	213,5	680,6	2614	2023	8188	7363	3682
SFB-120-30-15-9	B	120	30	15,875	107	9	334	185	211	237	175	30	40	190	213,5	753,2	2940,8	2023	9161	8243	4122
SFB-120-30-15-10	B	120	30	15,875	107	10	362	185	211	237	175	30	40	190	213,5	824,6	3267,5	2023	10129	9118	4559
SFB-120-30-15-11	B	120	30	15,875	107	11	407	185	211	237	175	30	40	190	213,5	895	3594,3	2023	11092	9990	4995
SFB-120-30-15-12	B	120	30	15,875	107	12	437	185	211	237	175	30	40	190	213,5	964,6	3921	2023	12052	10859	5430
SFB-120-30-15-13	B	120	30	15,875	107	13	467	185	211	237	175	30	40	190	213,5	1033,3	4247,8	2023	13007	11723	5862
SFB-120-30-15-14	B	120	30	15,875	107	14	497	185	211	237	175	30	40	190	213,5	1101,3	4574,5	2023	13959	12586	6293
SFB-120-30-15-15	B	120	30	15,875	107	15	527	185	211	237	175	30	40	190	213,5	1168,6	4901,3	2023	14908	13446	6723
SFB-120-30-19-3	B	120	30	19,05	104,1	3	145	195	221	247	175	40	40	200	223,5	354,1	1071,5	1942	3108	2812	1406
SFB-120-30-19-4	B	120	30	19,05	104,1	4	175	195	221	247	175	40	40	200	223,5	470,8	1512,8	1942	4284	3863	1932
SFB-120-30-19-5	B	120	30	19,05	104,1	5	205	195	221	247	175	40	40	200	223,5	572,2	1902,1	1942	5305	4788	2394
SFB-120-30-19-6	B	120	30	19,05	104,1	6	235	195	221	247	175	40	40	200	223,5	671,5	2295,8	1942	6319	5707	2854
SFB-120-30-19-7	B	120	30	19,05	104,1	7	280	195	221	247	175	40	40	200	223,5	769	2693,6	1942	7327	6621	3311
SFB-120-30-19-8	B	120	30	19,05	104,1	8	310	195	221	247	175	40	40	200	223,5	862,5	3078,4	1942	8321	7524	3762
SFB-120-30-19-9	B	120	30	19,05	104,1	9	340	195	221	247	175	40	40	200	223,5	954,5	3463,2	1942	9310	8422	4211
SFB-120-30-19-10	B	120	30	19,05	104,1	10	368	195	221	247	175	40	40	200	223,5	1045	3848	1942	10293	9316	4658
SFB-120-30-19-11	B	120	30	19,05	104,1	11	398	195	221	247	175	40	40	200	223,5	1134,3	4232,8	1942	11272	10206	5103
SFB-120-30-19-12	B	120	30	19,05	104,1	12	428	195	221	247	175	40	40	200	223,5	1222,4	4617,6	1942	12247	11093	5547
SFB-120-30-19-13	B	120	30	19,05	104,1	13	473	195	221	247	175	40	40	200	223,5	1309,5	5002,4	1942	13218	11977	5989
SFB-120-30-19-14	B	120	30	19,05	104,1	14	503	195	221	247	175	40	40	200	223,5	1395,7	5387,2	1942	14186	12858	6429
SFB-120-30-19-15	B	120	30	19,05	104,1	15	533	195	221	247	175	40	40	200	223,5	1481	5772	1942	15150	13736	6868
SFB-120-30-19-16	B	120	30	19,05	104,1	16	563	195	221	247	175	40	40	200	223,5	1565,5	6156,8	1942	16112	14612	7306
SFB-120-40-12-2	B	120	40	12,7	111	2	123	175	201	227	175	30	40	180	203,5	141,2	412,2	2144	1971	1808	904

IPIRANGA
TMBS
SINGLE NUT

Reference	Recirculation	Nominal diameter	Lead	Ball diameter	Root diameter	Circuits	Dimensions					Dimensions					Loads and rigidity				
							Ln	D1	D4	D6	D5	L7	L1	L8	L9	Cam KN	Coam KN	Rsm N/μm	Rbt N/μm	Rnu N/μm	Rnu.ar N/μm
SINGLE NUT Ref	S/U/B Tipo	do mm	Ph mm	Dw mm	d3 mm	i units	Ln mm	D1 mm	D4 mm	D6 mm	D5 mm	L7 mm	L1 mm	L8 mm	L9 mm	Cam KN	Coam KN	Rsm N/μm	Rbt N/μm	Rnu N/μm	Rnu.ar N/μm
SFB-120-40-12-3	U	120	40	12,7	111	3	176	170	196	222	175	30	25	175	198,5	200,7	622,9	2144	2903	2647	1324
SFB-120-40-12-3	B	120	40	12,7	111	3	163	175	201	227	175	30	40	180	203,5	200,7	622,9	2144	2903	2667	1334
SFB-120-40-12-4	U	120	40	12,7	111	4	216	170	196	222	175	30	25	175	198,5	257,9	836,6	2144	3823	3490	1745
SFB-120-40-12-4	B	120	40	12,7	111	4	203	175	201	227	175	30	40	180	203,5	263,8	865,4	2144	3940	3614	1807
SFB-120-40-12-5	U	120	40	12,7	111	5	256	170	196	222	175	30	25	175	198,5	320,5	1089,5	2144	4879	4445	2223
SFB-120-40-12-5	B	120	40	12,7	111	5	263	175	201	227	175	30	40	180	203,5	313,3	1053,2	2144	4734	4357	2179
SFB-120-40-12-6	B	120	40	12,7	111	6	303	175	201	227	175	30	40	180	203,5	375,9	1316,6	2144	5810	5337	2669
SFB-120-40-12-7	B	120	40	12,7	111	7	343	175	201	227	175	30	40	180	203,5	430,3	1546,5	2144	6735	6190	3095
SFB-120-40-12-8	B	120	40	12,7	111	8	381	175	201	227	175	30	40	180	203,5	482,6	1767,4	2144	7649	7033	3517
SFB-120-40-12-9	B	120	40	12,7	111	9	441	175	201	227	175	30	40	180	203,5	534,1	1988,3	2144	8558	7873	3937
SFB-120-40-12-10	B	120	40	12,7	111	10	481	175	201	227	175	30	40	180	203,5	584,7	2209,2	2144	9462	8708	4354
SFB-120-40-15-2	B	120	40	15,875	107	2	129	185	211	237	175	30	40	190	213,5	196,8	603,8	2023	2081	1918	959
SFB-120-40-15-3	B	120	40	15,875	107	3	169	185	211	237	175	30	40	190	213,5	319,5	933,7	2023	3365	3082	1541
SFB-120-40-15-4	B	120	40	15,875	107	4	209	185	211	237	175	30	40	190	213,5	370,2	1278,1	2023	4195	3863	1932
SFB-120-40-15-5	B	120	40	15,875	107	5	249	185	211	237	175	30	40	190	213,5	450	1608,5	2023	5195	4787	2394
SFB-120-40-15-6	B	120	40	15,875	107	6	309	185	211	237	175	30	40	190	213,5	528,2	1943,2	2023	6188	5705	2853
SFB-120-40-15-7	B	120	40	15,875	107	7	349	185	211	237	175	30	40	190	213,5	604,9	2282	2023	7174	6618	3309
SFB-120-40-15-8	B	120	40	15,875	107	8	387	185	211	237	175	30	40	190	213,5	678,6	2608	2023	8149	7521	3761
SFB-120-40-15-9	B	120	40	15,875	107	9	427	185	211	237	175	30	40	190	213,5	750,9	2934	2023	9117	8417	4209
SFB-120-40-15-10	B	120	40	15,875	107	10	467	185	211	237	175	30	40	190	213,5	822,1	3260	2023	10080	9310	4655
SFB-120-40-19-2	B	120	40	19,05	104,1	2	135	195	221	247	175	40	40	200	223,5	248,2	708,3	1942	2099	1944	972
SFB-120-40-19-3	B	120	40	19,05	104,1	3	175	195	221	247	175	40	40	200	223,5	353	1069	1942	3093	2867	1434
SFB-120-40-19-4	B	120	40	19,05	104,1	4	215	195	221	247	175	40	40	200	223,5	469,4	1509,3	1942	4263	3942	1971
SFB-120-40-19-5	B	120	40	19,05	104,1	5	255	195	221	247	175	40	40	200	223,5	570,5	1897,8	1942	5280	4886	2443
SFB-120-40-19-6	B	120	40	19,05	104,1	6	315	195	221	247	175	40	40	200	223,5	669,5	2290,5	1942	6288	5822	2911
SFB-120-40-19-7	B	120	40	19,05	104,1	7	355	195	221	247	175	40	40	200	223,5	766,7	2687,4	1942	7291	6754	3377
SFB-120-40-19-8	B	120	40	19,05	104,1	8	393	195	221	247	175	40	40	200	223,5	860	3071,3	1942	8281	7674	3837
SFB-120-40-19-9	B	120	40	19,05	104,1	9	433	195	221	247	175	40	40	200	223,5	951,6	3455,2	1942	9265	8589	4295
SFB-120-40-19-10	B	120	40	19,05	104,1	10	473	195	221	247	175	40	40	200	223,5	1041,9	3839,1	1942	10244	9500	4750
SFB-120-40-19-11	B	120	40	19,05	104,1	11	533	195	221	247	175	40	40	200	223,5	1130,9	4223,1	1942	11218	10407	5204
SFB-120-50-12-2	B	120	50	12,7	111	2	143	175	201	227	175	30	40	180	203,5	140,7	411	2144	1959	1828	914
SFB-120-50-12-3	U	120	50	12,7	111	3	203	170	196	222	175	30	25	175	198,5	200	621,1	2144	2886	2680	1340
SFB-120-50-12-3	B	120	50	12,7	111	3	193	175	201	227	175	30	40	180	203,5	200	621,1	2144	2886	2696	1348
SFB-120-50-12-4	U	120	50	12,7	111	4	253	170	196	222	175	30	25	175	198,5	256,9	834,2	2144	3800	3532	1766
SFB-120-50-12-4	B	120	50	12,7	111	4	243	175	201	227	175	30	40	180	203,5	262,8	862,9	2144	3916	3654	1827
SFB-120-50-12-5	B	120	50	12,7	111	5	318	175	201	227	175	30	40	180	203,5	312,1	1050,1	2144	4705	4402	2201
SFB-120-50-12-6	B	120	50	12,7	111	6	366	175	201	227	175	30	40	180	203,5	374,5	1312,7	2144	5774	5394	2697
SFB-120-50-12-7	B	120	50	12,7	111	7	416	175	201	227	175	30	40	180	203,5	428,6	1542	2144	6694	6256	3128
SFB-120-50-15-2	B	120	50	15,875	107	2	149	185	211	237	175	30	40	190	213,5	196,1	602	2023	2068	1937	969
SFB-120-50-15-3	B	120	50	15,875	107	3	199	185	211	237	175	30	40	190	213,5	278,9	909,5	2023	3048	2858	1429
SFB-120-50-15-4	B	120	50	15,875	107	4	249	185	211	237	175	30	40	190	213,5	368,8	1274,3	2023	4169	3902	1951
SFB-120-50-15-5	B	120	50	15,875	107	5	324	185	211	237	175	30	40	190	213,5	435,8	1537	2023	4971	4667	2334

IPIRANGA
TMBS
SINGLE NUT

Reference	Recirculation	Nominal diameter	Lead	Ball diameter	Root diameter	Circuits	Dimensions					Dimensions					Loads and rigidity				
							Ln	D1	D4	D6	D5	L7	L1	L8	L9	Cam	Coam	Rsm	Rbt	Rnu	Rnu.ar
SINGLE NUT Ref	S/U/B Tipo	do mm	Ph mm	Dw mm	d3 mm	i units	mm	mm	mm	mm	mm	mm	mm	mm	mm	KN	KN	N/μm	N/μm	N/μm	N/μm
SFB-120-50-15-6	B	120	50	15,875	107	6	372	185	211	237	175	30	40	190	213,5	526,1	1937,5	2023	6149	5762	2881
SFB-120-50-15-7	B	120	50	15,875	107	7	422	185	211	237	175	30	40	190	213,5	602,6	2275,2	2023	7130	6683	3342
SFB-120-50-15-8	B	120	50	15,875	107	8	472	185	211	237	175	30	40	190	213,5	676	2600,3	2023	8098	7594	3797
SFB-120-50-19-2	B	120	50	19,05	104,1	2	155	195	221	247	175	40	40	200	223,5	247,3	706,2	1942	2086	1961	981
SFB-120-50-19-3	B	120	50	19,05	104,1	3	205	195	221	247	175	40	40	200	223,5	351,7	1065,8	1942	3074	2893	1447
SFB-120-50-19-4	B	120	50	19,05	104,1	4	255	195	221	247	175	40	40	200	223,5	467,6	1504,9	1942	4237	3980	1990
SFB-120-50-19-5	B	120	50	19,05	104,1	5	300	195	221	247	175	40	40	200	223,5	549,2	1797,6	1942	5013	4724	2362
SFB-120-50-19-6	B	120	50	19,05	104,1	6	378	195	221	247	175	40	40	200	223,5	666,9	2283,7	1942	6250	5876	2938
SFB-120-50-19-7	B	120	50	19,05	104,1	7	428	195	221	247	175	40	40	200	223,5	763,7	2679,5	1942	7246	6815	3408
SFB-120-50-19-8	B	120	50	19,05	104,1	8	478	195	221	247	175	40	40	200	223,5	856,7	3062,3	1942	8230	7743	3872
SFB-120-50-19-9	B	120	50	19,05	104,1	9	553	195	221	247	175	40	40	200	223,5	948	3445,1	1942	9208	8666	4333
SFB-125-16-9-3	B	125	16	9,525	117,2	3	87	165	191	217	175	30	25	170	193,5	136,7	486,7	2356	2888	2271	1136
SFB-125-16-9-4	B	125	16	9,525	117,2	4	111	165	191	217	175	30	25	170	193,5	175,8	655,1	2356	3804	2999	1500
SFB-125-16-9-5	B	125	16	9,525	117,2	5	127	165	191	217	175	30	25	170	193,5	213,7	826,6	2356	4711	3721	1861
SFB-125-16-9-6	B	125	16	9,525	117,2	6	143	165	191	217	175	30	25	170	193,5	250,8	1000,9	2356	5611	4439	2220
SFB-125-16-9-7	B	125	16	9,525	117,2	7	167	165	191	217	175	30	25	170	193,5	287,3	1177,9	2356	6506	5154	2577
SFB-125-16-9-8	B	125	16	9,525	117,2	8	183	165	191	217	175	30	25	170	193,5	322,2	1346,2	2356	7389	5861	2931
SFB-125-16-9-9	B	125	16	9,525	117,2	9	199	165	191	217	175	30	25	170	193,5	356,6	1514,5	2356	8268	6565	3283
SFB-125-16-9-10	B	125	16	9,525	117,2	10	223	165	191	217	175	30	25	170	193,5	390,4	1682,7	2356	9141	7266	3633
SFB-125-16-9-11	B	125	16	9,525	117,2	11	239	165	191	217	175	30	25	170	193,5	423,8	1851	2356	10011	7965	3983
SFB-125-16-9-12	B	125	16	9,525	117,2	12	255	165	191	217	175	30	25	170	193,5	464,3	2069,8	2356	11118	8813	4407
SFB-125-16-9-13	B	125	16	9,525	117,2	13	279	165	191	217	175	30	25	170	193,5	489,2	2187,6	2356	11738	9354	4677
SFB-125-16-9-14	B	125	16	9,525	117,2	14	295	165	191	217	175	30	25	170	193,5	530,1	2414,7	2356	12878	10223	5112
SFB-125-16-9-15	B	125	16	9,525	117,2	15	311	165	191	217	175	30	25	170	193,5	562,5	2587,2	2356	13753	10925	5463
SFB-125-16-12-2	B	125	16	12,7	116	2	75	180	206	232	175	30	25	185	208,5	143,8	428,8	2336	2043	1648	824
SFB-125-16-12-3	B	125	16	12,7	116	3	91	180	206	232	175	30	25	185	208,5	204,4	648,1	2336	3010	2437	1219
SFB-125-16-12-4	B	125	16	12,7	116	4	107	180	206	232	175	30	25	185	208,5	268,4	899,4	2336	4081	3293	1647
SFB-125-16-12-5	B	125	16	12,7	116	5	131	180	206	232	175	30	25	185	208,5	326,1	1132,3	2336	5053	4085	2043
SFB-125-16-12-6	B	125	16	12,7	116	6	147	180	206	232	175	30	25	185	208,5	382,4	1368,3	2336	6017	4871	2436
SFB-125-16-12-7	B	125	16	12,7	116	7	163	180	206	232	175	30	25	185	208,5	437,8	1607,2	2336	6976	5654	2827
SFB-125-16-12-8	B	125	16	12,7	116	8	179	180	206	232	175	30	25	185	208,5	491	1836,7	2336	7922	6428	3214
SFB-125-16-12-9	B	125	16	12,7	116	9	203	180	206	232	175	30	25	185	208,5	543,4	2066,3	2336	8864	7200	3600
SFB-125-16-12-10	B	125	16	12,7	116	10	219	180	206	232	175	30	25	185	208,5	594,9	2295,9	2336	9800	7968	3984
SFB-125-16-12-11	B	125	16	12,7	116	11	235	180	206	232	175	30	25	185	208,5	645,7	2525,5	2336	10732	8733	4367
SFB-125-16-12-12	B	125	16	12,7	116	12	251	180	206	232	175	30	25	185	208,5	695,9	2755,1	2336	11661	9496	4748
SFB-125-16-12-13	B	125	16	12,7	116	13	275	180	206	232	175	30	25	185	208,5	745,5	2984,7	2336	12585	10255	5128
SFB-125-16-12-14	B	125	16	12,7	116	14	291	180	206	232	175	30	25	185	208,5	794,6	3214,3	2336	13507	11014	5507
SFB-125-16-12-15	B	125	16	12,7	116	15	307	180	206	232	175	30	25	185	208,5	843,1	3443,9	2336	14425	11769	5885
SFB-125-16-12-16	B	125	16	12,7	116	16	323	180	206	232	175	30	25	185	208,5	891,2	3673,5	2336	15340	12523	6262
SFB-125-20-9-3	B	125	20	9,525	117,2	3	99	165	191	217	175	30	25	170	193,5	136,7	486,4	2356	2885	2371	1186
SFB-125-20-9-4	B	125	20	9,525	117,2	4	129	165	191	217	175	30	25	170	193,5	175,7	654,8	2356	3800	3129	1565
SFB-125-20-9-5	B	125	20	9,525	117,2	5	149	165	191	217	175	30	25	170	193,5	213,6	826,2	2356	4707	3882	1941

IPIRANGA
TMBS
SINGLE NUT

Reference	Recirculation	Nominal diameter	Lead	Ball diameter	Root diameter	Circuits	Dimensions					Dimensions					Loads and rigidity				
							Ln	D1	D4	D6	D5	L7	L1	L8	L9	Cam KN	Coam KN	Rsm N/μm	Rbt N/μm	Rnu N/μm	Rnu.ar N/μm
SINGLE NUT Ref	S/U/B Tipo	do mm	Ph mm	Dw mm	d3 mm	i units	Ln mm	D1 mm	D4 mm	D6 mm	D5 mm	L7 mm	L1 mm	L8 mm	L9 mm	Cam KN	Coam KN	Rsm N/μm	Rbt N/μm	Rnu N/μm	Rnu.ar N/μm
SFB-125-20-9-6	B	125	20	9,525	117,2	6	169	165	191	217	175	30	25	170	193,5	250,7	1000,4	2356	5606	4629	2315
SFB-125-20-9-7	B	125	20	9,525	117,2	7	199	165	191	217	175	30	25	170	193,5	287,1	1177,4	2356	6500	5373	2687
SFB-125-20-9-8	B	125	20	9,525	117,2	8	219	165	191	217	175	30	25	170	193,5	322	1345,6	2356	7382	6109	3055
SFB-125-20-9-9	B	125	20	9,525	117,2	9	239	165	191	217	175	30	25	170	193,5	356,4	1513,8	2356	8260	6842	3421
SFB-125-20-9-10	B	125	20	9,525	117,2	10	269	165	191	217	175	30	25	170	193,5	390,2	1682	2356	9133	7571	3786
SFB-125-20-9-11	B	125	20	9,525	117,2	11	289	165	191	217	175	30	25	170	193,5	423,5	1850,2	2356	10001	8297	4149
SFB-125-20-9-12	B	125	20	9,525	117,2	12	309	165	191	217	175	30	25	170	193,5	464	2068,8	2356	11107	9187	4594
SFB-125-20-9-13	B	125	20	9,525	117,2	13	339	165	191	217	175	30	25	170	193,5	488,9	2186,6	2356	11727	9742	4871
SFB-125-20-9-14	B	125	20	9,525	117,2	14	359	165	191	217	175	30	25	170	193,5	529,8	2413,7	2356	12866	10655	5328
SFB-125-20-9-15	B	125	20	9,525	117,2	15	377	165	191	217	175	30	25	170	193,5	562,1	2586,1	2356	13739	11384	5692
SFB-125-20-12-3	U	125	20	12,7	116	3	120	175	201	227	175	30	25	180	203,5	204,3	647,8	2336	3007	2494	1247
SFB-125-20-12-4	U	125	20	12,7	116	4	140	175	201	227	175	30	25	180	203,5	268,2	899,1	2336	4077	3372	1686
SFB-125-20-12-5	U	125	20	12,7	116	5	160	175	201	227	175	30	25	180	203,5	325,9	1131,8	2336	5048	4182	2091
SFB-125-20-12-6	U	125	20	12,7	116	6	180	175	201	227	175	30	25	180	203,5	382,2	1367,7	2336	6012	4987	2494
SFB-125-20-12-6	B	125	20	12,7	116	6	203	180	206	232	175	30	25	185	208,5	382,2	1367,7	2336	6012	5060	2530
SFB-125-20-12-7	B	125	20	12,7	116	7	193	180	206	232	175	30	25	185	208,5	437,5	1606,4	2336	6969	5872	2936
SFB-125-20-12-8	B	125	20	12,7	116	8	213	180	206	232	175	30	25	185	208,5	490,8	1835,9	2336	7915	6675	3338
SFB-125-20-12-9	B	125	20	12,7	116	9	243	180	206	232	175	30	25	185	208,5	543,1	2065,4	2336	8856	7475	3738
SFB-125-20-12-10	B	125	20	12,7	116	10	263	180	206	232	175	30	25	185	208,5	594,6	2294,9	2336	9792	8272	4136
SFB-125-20-12-11	B	125	20	12,7	116	11	283	180	206	232	175	30	25	185	208,5	645,4	2524,4	2336	10723	9064	4532
SFB-125-20-12-12	B	125	20	12,7	116	12	303	180	206	232	175	30	25	185	208,5	695,5	2753,9	2336	11650	9854	4927
SFB-125-20-12-13	B	125	20	12,7	116	13	333	180	206	232	175	30	25	185	208,5	745,1	2983,4	2336	12574	10642	5321
SFB-125-20-12-14	B	125	20	12,7	116	14	353	180	206	232	175	30	25	185	208,5	794,1	3212,9	2336	13494	11427	5714
SFB-125-20-12-15	B	125	20	12,7	116	15	371	180	206	232	175	30	25	185	208,5	842,6	3442,4	2336	14411	12209	6105
SFB-125-20-12-16	B	125	20	12,7	116	16	391	180	206	232	175	30	25	185	208,5	890,7	3671,9	2336	15326	12990	6495
SFB-125-20-15-2	B	125	20	15,875	112	2	89	190	216	242	175	30	40	195	218,5	201,9	633,7	2210	2174	1839	920
SFB-125-20-15-3	B	125	20	15,875	112	3	109	190	216	242	175	30	40	195	218,5	287,2	957,4	2210	3204	2717	1359
SFB-125-20-15-4	B	125	20	15,875	112	4	129	190	216	242	175	30	40	195	218,5	379,2	1339	2210	4375	3696	1848
SFB-125-20-15-5	B	125	20	15,875	112	5	149	190	216	242	175	30	40	195	218,5	461	1685,2	2210	5418	4584	2292
SFB-125-20-15-6	B	125	20	15,875	112	6	179	190	216	242	175	30	40	195	218,5	541	2035,8	2210	6453	5466	2733
SFB-125-20-15-7	B	125	20	15,875	112	7	199	190	216	242	175	30	40	195	218,5	619,6	2390,7	2210	7482	6344	3172
SFB-125-20-15-8	B	125	20	15,875	112	8	219	190	216	242	175	30	40	195	218,5	695	2732,2	2210	8498	7212	3606
SFB-125-20-15-9	B	125	20	15,875	112	9	239	190	216	242	175	30	40	195	218,5	769,1	3073,7	2210	9508	8075	4038
SFB-125-20-15-10	B	125	20	15,875	112	10	259	190	216	242	175	30	40	195	218,5	842,1	3415,3	2210	10513	8936	4468
SFB-125-20-15-11	B	125	20	15,875	112	11	289	190	216	242	175	30	40	195	218,5	914	3756,8	2210	11512	9791	4896
SFB-125-20-15-12	B	125	20	15,875	112	12	309	190	216	242	175	30	40	195	218,5	985	4098,3	2210	12508	10645	5323
SFB-125-20-15-13	B	125	20	15,875	112	13	329	190	216	242	175	30	40	195	218,5	1055,2	4439,8	2210	13500	11495	5748
SFB-125-20-15-14	B	125	20	15,875	112	14	349	190	216	242	175	30	40	195	218,5	1124,7	4781,4	2210	14488	12343	6172
SFB-125-20-15-15	B	125	20	15,875	112	15	367	190	216	242	175	30	40	195	218,5	1193,4	5122,9	2210	15473	13188	6594
SFB-125-20-15-16	B	125	20	15,875	112	16	397	190	216	242	175	30	40	195	218,5	1261,5	5464,4	2210	16455	14031	7016
SFB-125-25-12-2	U	125	25	12,7	116	2	109	175	201	227	175	30	25	180	203,5	140,4	414,1	2336	1978	1702	851
SFB-125-25-12-3	U	125	25	12,7	116	3	134	175	201	227	175	30	25	180	203,5	204,1	647,4	2336	3003	2579	1290

IPIRANGA
TMBS
SINGLE NUT

Reference	Recirculation	Nominal diameter	Lead	Ball diameter	Root diameter	Circuits	Dimensions					Dimensions					Loads and rigidity				
							Ln	D1	D4	D6	D5	L7	L1	L8	L9	Cam	Coam	Rsm	Rbt	Rnu	Rnu.ar
SINGLE NUT Ref	S/U/B Tipo	do mm	Ph mm	Dw mm	d3 mm	i units	mm	mm	mm	mm	mm	mm	mm	mm	mm	KN	KN	N/μm	N/μm	N/μm	N/μm
SFB-125-25-12-4	U	125	25	12,7	116	4	159	175	201	227	175	30	25	180	203,5	268	898,4	2336	4071	3488	1744
SFB-125-25-12-5	U	125	25	12,7	116	5	184	175	201	227	175	30	25	180	203,5	325,6	1131,1	2336	5041	4325	2163
SFB-125-25-12-6	U	125	25	12,7	116	6	209	175	201	227	175	30	25	180	203,5	381,9	1366,7	2336	6003	5156	2578
SFB-125-25-12-6	B	125	25	12,7	116	6	206	180	206	232	175	30	25	185	208,5	381,9	1366,7	2336	6003	5219	2610
SFB-125-25-12-7	B	125	25	12,7	116	7	231	180	206	232	175	30	25	185	208,5	437,1	1605,4	2336	6959	6055	3028
SFB-125-25-12-8	B	125	25	12,7	116	8	256	180	206	232	175	30	25	185	208,5	490,3	1834,7	2336	7904	6883	3442
SFB-125-25-12-9	B	125	25	12,7	116	9	293	180	206	232	175	30	25	185	208,5	542,6	2064	2336	8843	7706	3853
SFB-125-25-12-10	B	125	25	12,7	116	10	318	180	206	232	175	30	25	185	208,5	594,1	2293,4	2336	9778	8526	4263
SFB-125-25-12-11	B	125	25	12,7	116	11	343	180	206	232	175	30	25	185	208,5	644,8	2522,7	2336	10707	9342	4671
SFB-125-25-12-12	B	125	25	12,7	116	12	366	180	206	232	175	30	25	185	208,5	694,9	2752	2336	11633	10155	5078
SFB-125-25-12-13	B	125	25	12,7	116	13	404	180	206	232	175	30	25	185	208,5	744,4	2981,4	2336	12556	10966	5483
SFB-125-25-12-14	B	125	25	12,7	116	14	429	180	206	232	175	30	25	185	208,5	793,4	3210,7	2336	13475	11773	5887
SFB-125-25-12-15	B	125	25	12,7	116	15	454	180	206	232	175	30	25	185	208,5	841,9	3440	2336	14391	12579	6290
SFB-125-25-12-16	B	125	25	12,7	116	16	479	180	206	232	175	30	25	185	208,5	890	3669,4	2336	15304	13382	6691
SFB-125-25-12-17	B	125	25	12,7	116	17	516	180	206	232	175	30	25	185	208,5	937,6	3898,7	2336	16215	14183	7092
SFB-125-25-15-7	B	125	25	15,875	112	7	237	190	216	242	175	30	40	195	218,5	619,1	2389	2210	7472	6535	3268
SFB-125-25-15-8	B	125	25	15,875	112	8	262	190	216	242	175	30	40	195	218,5	694,4	2730,3	2210	8486	7428	3714
SFB-125-25-15-9	B	125	25	15,875	112	9	287	190	216	242	175	30	40	195	218,5	768,5	3071,6	2210	9494	8316	4158
SFB-125-25-15-10	B	125	25	15,875	112	10	312	190	216	242	175	30	40	195	218,5	841,3	3412,9	2210	10497	9200	4600
SFB-125-25-15-11	B	125	25	15,875	112	11	349	190	216	242	175	30	40	195	218,5	913,2	3754,2	2210	11496	10081	5041
SFB-125-25-15-12	B	125	25	15,875	112	12	372	190	216	242	175	30	40	195	218,5	984,2	4095,5	2210	12490	10958	5479
SFB-125-25-15-13	B	125	25	15,875	112	13	397	190	216	242	175	30	40	195	218,5	1054,3	4436,8	2210	13481	11833	5917
SFB-125-25-15-14	B	125	25	15,875	112	14	422	190	216	242	175	30	40	195	218,5	1123,7	4778,1	2210	14467	12703	6352
SFB-125-25-15-15	B	125	25	15,875	112	15	447	190	216	242	175	30	40	195	218,5	1192,4	5119,3	2210	15451	13573	6787
SFB-125-25-15-16	B	125	25	15,875	112	16	485	190	216	242	175	30	40	195	218,5	1260,4	5460,6	2210	16431	14439	7220
SFB-125-25-15-17	B	125	25	15,875	112	17	510	190	216	242	175	30	40	195	218,5	1327,9	5801,9	2210	17409	15303	7652
SFB-125-25-15-18	B	125	25	15,875	112	18	535	190	216	242	175	30	40	195	218,5	1394,8	6143,2	2210	18384	16166	8083
SFB-125-25-15-19	B	125	25	15,875	112	19	560	190	216	242	175	30	40	195	218,5	1461,2	6484,5	2210	19356	17026	8513
SFB-125-25-19-2	B	125	25	19,05	109,1	2	105	200	226	252	175	40	40	205	228,5	256,2	749,7	2125	2208	1941	971
SFB-125-25-19-3	B	125	25	19,05	109,1	3	130	200	226	252	175	40	40	205	228,5	364,3	1131,4	2125	3253	2865	1433
SFB-125-25-19-4	B	125	25	19,05	109,1	4	155	200	226	252	175	40	40	205	228,5	483,6	1593,5	2125	4474	3926	1963
SFB-125-25-19-5	B	125	25	19,05	109,1	5	180	200	226	252	175	40	40	205	228,5	587,7	2003,5	2125	5540	4867	2434
SFB-125-25-19-6	B	125	25	19,05	109,1	6	205	200	226	252	175	40	40	205	228,5	689,6	2418,1	2125	6598	5801	2901
SFB-125-25-19-7	B	125	25	19,05	109,1	7	243	200	226	252	175	40	40	205	228,5	789,7	2837	2125	7650	6731	3366
SFB-125-25-19-8	B	125	25	19,05	109,1	8	268	200	226	252	175	40	40	205	228,5	885,8	3242,3	2125	8689	7651	3826
SFB-125-25-19-9	B	125	25	19,05	109,1	9	293	200	226	252	175	40	40	205	228,5	980,2	3647,6	2125	9721	8565	4283
SFB-125-25-19-10	B	125	25	19,05	109,1	10	318	200	226	252	175	40	40	205	228,5	1073,2	4052,9	2125	10748	9476	4738
SFB-125-25-19-11	B	125	25	19,05	109,1	11	343	200	226	252	175	40	40	205	228,5	1164,9	4458,2	2125	11770	10382	5191
SFB-125-25-19-12	B	125	25	19,05	109,1	12	366	200	226	252	175	40	40	205	228,5	1255,4	4863,5	2125	12788	11285	5643
SFB-125-25-19-13	B	125	25	19,05	109,1	13	403	200	226	252	175	40	40	205	228,5	1344,8	5268,8	2125	13802	12186	6093
SFB-125-25-19-14	B	125	25	19,05	109,1	14	428	200	226	252	175	40	40	205	228,5	1433,3	5674,1	2125	14812	13083	6542
SFB-125-25-19-15	B	125	25	19,05	109,1	15	453	200	226	252	175	40	40	205	228,5	1521	6079,4	2125	15820	13978	6989

IPIRANGA
TMBS
SINGLE NUT

Reference	Recirculation	Nominal diameter	Lead	Ball diameter	Root diameter	Circuits	Dimensions					Dimensions					Loads and rigidity				
							Ln	D1	D4	D6	D5	L7	L1	L8	L9	Cam	Coam	Rsm	Rbt	Rnu	Rnu.ar
SINGLE NUT Ref	S/U/B Tipo	do mm	Ph mm	Dw mm	d3 mm	i units	mm	mm	mm	mm	mm	mm	mm	mm	mm	KN	KN	N/μm	N/μm	N/μm	N/μm
SFB-125-25-19-16	B	125	25	19,05	109,1	16	478	200	226	252	175	40	40	205	228,5	16078	6484,7	2125	16824	14870	7435
SFB-125-25-19-17	B	125	25	19,05	109,1	17	503	200	226	252	175	40	40	205	228,5	1693,8	6890	2125	17824	15759	7880
SFB-125-25-19-18	B	125	25	19,05	109,1	18	528	200	226	252	175	40	40	205	228,5	1779,1	7295,3	2125	18822	16647	8324
SFB-125-25-19-19	B	125	25	19,05	109,1	19	547	200	226	252	175	40	40	205	228,5	1863,8	7700,6	2125	19818	17533	8767
SFB-125-30-12-3	U	125	30	12,7	116	3	148	175	201	227	175	30	25	180	203,5	203,9	646,8	2336	2998	2638	1319
SFB-125-30-12-4	U	125	30	12,7	116	4	178	175	201	227	175	30	25	180	203,5	267,7	897,7	2336	4064	3568	1784
SFB-125-30-12-5	U	125	30	12,7	116	5	208	175	201	227	175	30	25	180	203,5	325,2	1130,1	2336	5032	4423	2212
SFB-125-30-12-6	U	125	30	12,7	116	6	238	175	201	227	175	30	25	180	203,5	381,5	1365,6	2336	5993	5273	2637
SFB-125-30-12-6	B	125	30	12,7	116	6	238	180	206	232	175	30	25	185	208,5	381,5	1365,6	2336	5993	5327	2664
SFB-125-30-12-7	B	125	30	12,7	116	7	268	180	206	232	175	30	25	185	208,5	436,7	1604	2336	6947	6180	3090
SFB-125-30-12-8	B	125	30	12,7	116	8	298	180	206	232	175	30	25	185	208,5	489,8	1833,2	2336	7890	7023	3512
SFB-125-30-12-9	B	125	30	12,7	116	9	343	180	206	232	175	30	25	185	208,5	542	2062,3	2336	8828	7863	3932
SFB-125-30-12-10	B	125	30	12,7	116	10	371	180	206	232	175	30	25	185	208,5	593,4	2291,4	2336	9760	8698	4349
SFB-125-30-12-11	B	125	30	12,7	116	11	401	180	206	232	175	30	25	185	208,5	644,1	2520,6	2336	10689	9530	4765
SFB-125-30-12-12	B	125	30	12,7	116	12	431	180	206	232	175	30	25	185	208,5	694,1	2749,7	2336	11613	10359	5180
SFB-125-30-12-13	B	125	30	12,7	116	13	476	180	206	232	175	30	25	185	208,5	743,6	2978,9	2336	12534	11185	5593
SFB-125-30-15-7	B	125	30	15,875	112	7	274	190	216	242	175	30	40	195	218,5	618,4	2387	2210	7458	6663	3332
SFB-125-30-15-8	B	125	30	15,875	112	8	304	190	216	242	175	30	40	195	218,5	693,7	2728	2210	8471	7573	3787
SFB-125-30-15-9	B	125	30	15,875	112	9	334	190	216	242	175	30	40	195	218,5	767,6	3069	2210	9477	8478	4239
SFB-125-30-15-10	B	125	30	15,875	112	10	362	190	216	242	175	30	40	195	218,5	840,4	3410	2210	10479	9379	4690
SFB-125-30-15-11	B	125	30	15,875	112	11	407	190	216	242	175	30	40	195	218,5	912,2	3751	2210	11476	10276	5138
SFB-125-30-15-12	B	125	30	15,875	112	12	437	190	216	242	175	30	40	195	218,5	983,1	4092	2210	12468	11169	5585
SFB-125-30-15-13	B	125	30	15,875	112	13	467	190	216	242	175	30	40	195	218,5	1053,1	4433	2210	13456	12059	6030
SFB-125-30-19-3	B	125	30	19,05	109,1	3	145	200	226	252	175	40	40	205	228,5	363,9	1130,5	2125	3247	2919	1460
SFB-125-30-19-4	B	125	30	19,05	109,1	4	175	200	226	252	175	40	40	205	228,5	483,1	1592,1	2125	4466	4001	2001
SFB-125-30-19-5	B	125	30	19,05	109,1	5	205	200	226	252	175	40	40	205	228,5	587,1	2001,8	2125	5530	4959	2480
SFB-125-30-19-6	B	125	30	19,05	109,1	6	235	200	226	252	175	40	40	205	228,5	688,9	2416	2125	6587	5912	2956
SFB-125-30-19-7	B	125	30	19,05	109,1	7	280	200	226	252	175	40	40	205	228,5	788,8	2834,7	2125	7636	6857	3429
SFB-125-30-19-8	B	125	30	19,05	109,1	8	310	200	226	252	175	40	40	205	228,5	884,8	3239,6	2125	8673	7794	3897
SFB-125-30-19-9	B	125	30	19,05	109,1	9	340	200	226	252	175	40	40	205	228,5	979,2	3644,6	2125	9704	8725	4363
SFB-125-30-19-10	B	125	30	19,05	109,1	10	368	200	226	252	175	40	40	205	228,5	1072	4049,5	2125	10729	9651	4826
SFB-125-30-19-11	B	125	30	19,05	109,1	11	398	200	226	252	175	40	40	205	228,5	1163,6	4454,5	2125	11750	10574	5287
SFB-125-30-19-12	B	125	30	19,05	109,1	12	428	200	226	252	175	40	40	205	228,5	1254	4859,4	2125	12766	11493	5747
SFB-125-30-19-13	B	125	30	19,05	109,1	13	473	200	226	252	175	40	40	205	228,5	1343,4	5264,4	2125	13778	12409	6205
SFB-125-30-19-14	B	125	30	19,05	109,1	14	503	200	226	252	175	40	40	205	228,5	1431,8	5669,3	2125	14787	13322	6661
SFB-125-30-19-15	B	125	30	19,05	109,1	15	533	200	226	252	175	40	40	205	228,5	1519,3	6074,3	2125	15792	14232	7116
SFB-125-30-19-16	B	125	30	19,05	109,1	16	563	200	226	252	175	40	40	205	228,5	1606	6479,2	2125	16794	15140	7570
SFB-125-40-12-2	B	125	40	12,7	116	2	123	180	206	232	175	30	25	185	208,5	143	427,1	2336	2026	1851	926
SFB-125-40-12-3	U	125	40	12,7	116	3	176	175	201	227	175	30	25	180	203,5	203,3	645,5	2336	2984	2708	1354
SFB-125-40-12-3	B	125	40	12,7	116	3	163	180	206	232	175	30	25	185	208,5	203,3	645,5	2336	2984	2730	1365
SFB-125-40-12-4	U	125	40	12,7	116	4	216	175	201	227	175	30	25	180	203,5	267	895,8	2336	4046	3666	1833
SFB-125-40-12-4	B	125	40	12,7	116	4	203	180	206	232	175	30	25	185	208,5	267	895,8	2336	4046	3696	1848

IPIRANGA
TMBS
SINGLE NUT

Reference	Recirculation	Nominal diameter	Lead	Ball diameter	Root diameter	Circuits	Dimensions					Dimensions					Loads and rigidity				
							Ln	D1	D4	D6	D5	L7	L1	L8	L9	Cam	Coam	Rsm	Rbt	Rnu	Rnu.ar
SINGLE NUT Ref	S/U/B Tipo	do mm	Ph mm	Dw mm	d3 mm	i units	mm	mm	mm	mm	mm	mm	mm	mm	mm	KN	KN	N/μm	N/μm	N/μm	N/μm
SFB-125-40-12-5	U	125	40	12,7	116	5	256	175	201	227	175	30	25	180	203,5	324,3	1127,7	2336	5010	4543	2272
SFB-125-40-12-5	B	125	40	12,7	116	5	263	180	206	232	175	30	25	185	208,5	324,3	1127,7	2336	5010	4580	2290
SFB-125-40-12-6	B	125	40	12,7	116	6	303	180	206	232	175	30	25	185	208,5	380,4	1362,7	2336	5966	5457	2729
SFB-125-40-12-7	B	125	40	12,7	116	7	343	180	206	232	175	30	25	185	208,5	435,5	1600,6	2336	6916	6329	3165
SFB-125-40-12-8	B	125	40	12,7	116	8	381	180	206	232	175	30	25	185	208,5	488,4	1829,3	2336	7855	7192	3596
SFB-125-40-12-9	B	125	40	12,7	116	9	441	180	206	232	175	30	25	185	208,5	540,5	2057,9	2336	8788	8051	4026
SFB-125-40-12-10	B	125	40	12,7	116	10	481	180	206	232	175	30	25	185	208,5	591,8	2286,6	2336	9717	8905	4453
SFB-125-40-15-2	B	125	40	15,875	112	2	129	190	216	242	175	30	40	195	218,5	200,9	631,4	2210	2157	1978	989
SFB-125-40-15-3	B	125	40	15,875	112	3	169	190	216	242	175	30	40	195	218,5	325,8	976,3	2210	3487	3177	1589
SFB-125-40-15-4	B	125	40	15,875	112	4	209	190	216	242	175	30	40	195	218,5	377,4	1334,1	2210	4341	3979	1990
SFB-125-40-15-5	B	125	40	15,875	112	5	249	190	216	242	175	30	40	195	218,5	458,8	1679,1	2210	5376	4931	2466
SFB-125-40-15-6	B	125	40	15,875	112	6	309	190	216	242	175	30	40	195	218,5	538,4	2028,4	2210	6403	5877	2939
SFB-125-40-15-7	B	125	40	15,875	112	7	349	190	216	242	175	30	40	195	218,5	616,7	2381,9	2210	7425	6818	3409
SFB-125-40-15-8	B	125	40	15,875	112	8	387	190	216	242	175	30	40	195	218,5	691,7	2722,2	2210	8433	7748	3874
SFB-125-40-15-9	B	125	40	15,875	112	9	427	190	216	242	175	30	40	195	218,5	765,5	3062,5	2210	9435	8672	4336
SFB-125-40-15-10	B	125	40	15,875	112	10	467	190	216	242	175	30	40	195	218,5	838,1	3402,7	2210	10432	9592	4796
SFB-125-40-19-2	B	125	40	19,05	109,1	2	135	200	226	252	175	40	40	205	228,5	255,2	747,5	2125	2194	2021	1011
SFB-125-40-19-3	B	125	40	19,05	109,1	3	175	200	226	252	175	40	40	205	228,5	362,9	1128,1	2125	3233	2982	1491
SFB-125-40-19-4	B	125	40	19,05	109,1	4	215	200	226	252	175	40	40	205	228,5	481,7	1588,7	2125	4446	4091	2046
SFB-125-40-19-5	B	125	40	19,05	109,1	5	255	200	226	252	175	40	40	205	228,5	585,5	1997,6	2125	5505	5070	2535
SFB-125-40-19-6	B	125	40	19,05	109,1	6	315	200	226	252	175	40	40	205	228,5	665	2296,1	2125	6279	5805	2903
SFB-125-40-19-7	B	125	40	19,05	109,1	7	355	200	226	252	175	40	40	205	228,5	786,7	2828,6	2125	7603	7009	3505
SFB-125-40-19-8	B	125	40	19,05	109,1	8	393	200	226	252	175	40	40	205	228,5	882,4	3232,7	2125	8635	7964	3982
SFB-125-40-19-9	B	125	40	19,05	109,1	9	433	200	226	252	175	40	40	205	228,5	976,4	3636,8	2125	9660	8913	4457
SFB-125-40-19-10	B	125	40	19,05	109,1	10	473	200	226	252	175	40	40	205	228,5	1069,1	4040,9	2125	10681	9859	4930
SFB-125-40-19-11	B	125	40	19,05	109,1	11	533	200	226	252	175	40	40	205	228,5	1160,4	4445	2125	11697	10800	5400
SFB-125-50-12-2	B	125	50	12,7	116	2	143	180	206	232	175	30	25	185	208,5	142,5	425,9	2336	2014	1873	937
SFB-125-50-12-3	U	125	50	12,7	116	3	204	175	201	227	175	30	25	180	203,5	202,6	643,7	2336	2967	2745	1373
SFB-125-50-12-3	B	125	50	12,7	116	3	193	180	206	232	175	30	25	185	208,5	202,6	643,7	2336	2967	2762	1381
SFB-125-50-12-4	U	125	50	12,7	116	4	254	175	201	227	175	30	25	180	203,5	266	893,4	2336	4023	3716	1858
SFB-125-50-12-4	B	125	50	12,7	116	4	243	180	206	232	175	30	25	185	208,5	266	893,4	2336	4023	3741	1871
SFB-125-50-12-5	B	125	50	12,7	116	5	318	180	206	232	175	30	25	185	208,5	323,2	1124,7	2336	4981	4635	2318
SFB-125-50-12-6	B	125	50	12,7	116	6	366	180	206	232	175	30	25	185	208,5	379,1	1359	2336	5932	5522	2761
SFB-125-50-12-7	B	125	50	12,7	116	7	416	180	206	232	175	30	25	185	208,5	433,9	1596,3	2336	6877	6405	3203
SFB-125-50-15-2	B	125	50	15,875	112	2	149	190	216	242	175	30	40	195	218,5	200,2	629,7	2210	2145	2001	1001
SFB-125-50-15-3	B	125	50	15,875	112	3	199	190	216	242	175	30	40	195	218,5	284,8	951,3	2210	3161	2952	1476
SFB-125-50-15-4	B	125	50	15,875	112	4	249	190	216	242	175	30	40	195	218,5	376,1	1330,5	2210	4316	4025	2013
SFB-125-50-15-5	B	125	50	15,875	112	5	324	190	216	242	175	30	40	195	218,5	444,9	1607,5	2210	5155	4822	2411
SFB-125-50-15-6	B	125	50	15,875	112	6	372	190	216	242	175	30	40	195	218,5	536,5	2022,8	2210	6367	5944	2972
SFB-125-50-15-7	B	125	50	15,875	112	7	422	190	216	242	175	30	40	195	218,5	614,5	2375,4	2210	7382	6894	3447
SFB-125-50-15-8	B	125	50	15,875	112	8	472	190	216	242	175	30	40	195	218,5	689,3	2714,7	2210	8385	7834	3917
SFB-125-50-19-2	B	125	50	19,05	109,1	2	155	200	226	252	175	40	40	205	228,5	254,3	745,5	2125	2181	2042	1021

IPIRANGA TMBS SINGLE NUT

Reference	Recirculation	Nominal diameter	Lead	Ball diameter	Root diameter	Circuits	Dimensions					Dimensions					Loads and rigidity				
							Ln	D1	D4	D6	D5	L7	L1	L8	L9	Cam	Coam	Rsm	Rbt	Rnu	Rnu.ar
SINGLE NUT Ref	S/U/B Tipo	do mm	Ph mm	Dw mm	d3 mm	i units	mm	mm	mm	mm	mm	mm	mm	mm	mm	KN	KN	N/μm	N/μm	N/μm	N/μm
SFB-125-50-19-3	B	125	50	19,05	109,1	3	205	200	226	252	175	40	40	205	228,5	361,6	1125	2125	3214	3013	1507
SFB-125-50-19-4	B	125	50	19,05	109,1	4	255	200	226	252	175	40	40	205	228,5	480	1584,4	2125	4420	4135	2068
SFB-125-50-19-5	B	125	50	19,05	109,1	5	330	200	226	252	175	40	40	205	228,5	564,7	1897,3	2125	5242	4920	2460
SFB-125-50-19-6	B	125	50	19,05	109,1	6	378	200	226	252	175	40	40	205	228,5	662,6	2289,8	2125	6243	5862	2931
SFB-125-50-19-7	B	125	50	19,05	109,1	7	428	200	226	252	175	40	40	205	228,5	783,9	2820,9	2125	7559	7082	3541
SFB-125-50-19-8	B	125	50	19,05	109,1	8	478	200	226	252	175	40	40	205	228,5	879,3	3223,9	2125	8585	8046	4023
SFB-125-50-19-9	B	125	50	19,05	109,1	9	553	200	226	252	175	40	40	205	228,5	941,9	3454,2	2125	9198	8646	4323
SFB-140-16-12-2	B	140	16	12,7	131	2	75	195	221	247	175	40	40	200	223,5	151,8	487,7	2962	2262	1761	881
SFB-140-16-12-3	B	140	16	12,7	131	3	91	195	221	247	175	40	40	200	223,5	215,8	737,1	2962	3333	2605	1303
SFB-140-16-12-4	B	140	16	12,7	131	4	107	195	221	247	175	40	40	200	223,5	277,2	989,9	2962	4388	3439	1720
SFB-140-16-12-5	B	140	16	12,7	131	5	131	195	221	247	175	40	40	200	223,5	336,8	1246,1	2962	5434	4267	2134
SFB-140-16-12-6	B	140	16	12,7	131	6	147	195	221	247	175	40	40	200	223,5	395	1505,7	2962	6471	5090	2545
SFB-140-16-12-7	B	140	16	12,7	131	7	163	195	221	247	175	40	40	200	223,5	452,1	1768,5	2962	7501	5908	2954
SFB-140-16-12-8	B	140	16	12,7	131	8	179	195	221	247	175	40	40	200	223,5	517	2080,6	2962	8742	6856	3428
SFB-140-16-12-9	B	140	16	12,7	131	9	203	195	221	247	175	40	40	200	223,5	561,2	2273,8	2962	9532	7526	3763
SFB-140-16-12-10	B	140	16	12,7	131	10	219	195	221	247	175	40	40	200	223,5	626,4	2600,8	2962	10814	8500	4250
SFB-140-16-12-11	B	140	16	12,7	131	11	235	195	221	247	175	40	40	200	223,5	679,9	2860,9	2962	11842	9317	4659
SFB-140-16-12-12	B	140	16	12,7	131	12	251	195	221	247	175	40	40	200	223,5	732,8	3121	2962	12867	10132	5066
SFB-140-16-12-13	B	140	16	12,7	131	13	275	195	221	247	175	40	40	200	223,5	785	3381	2962	13887	10944	5472
SFB-140-16-12-14	B	140	16	12,7	131	14	291	195	221	247	175	40	40	200	223,5	836,6	3641,1	2962	14903	11753	5877
SFB-140-16-12-15	B	140	16	12,7	131	15	307	195	221	247	175	40	40	200	223,5	887,8	3901,2	2962	15917	12561	6281
SFB-140-16-12-16	B	140	16	12,7	131	16	323	195	221	247	175	40	40	200	223,5	938,4	4161,3	2962	16926	13366	6683
SFB-140-20-12-2	B	140	20	12,7	131	2	83	195	221	247	175	40	40	200	223,5	151,8	487,6	2962	2261	1842	921
SFB-140-20-12-3	B	140	20	12,7	131	3	103	195	221	247	175	40	40	200	223,5	215,8	736,8	2962	3331	2723	1362
SFB-140-20-12-4	B	140	20	12,7	131	4	123	195	221	247	175	40	40	200	223,5	277,1	989,5	2962	4385	3592	1796
SFB-140-20-12-5	B	140	20	12,7	131	5	153	195	221	247	175	40	40	200	223,5	336,7	1245,7	2962	5430	4456	2228
SFB-140-20-12-6	B	140	20	12,7	131	6	173	195	221	247	175	40	40	200	223,5	394,8	1505,2	2962	6466	5313	2657
SFB-140-20-12-7	B	140	20	12,7	131	7	193	195	221	247	175	40	40	200	223,5	451,9	1767,9	2962	7496	6166	3083
SFB-140-20-12-8	B	140	20	12,7	131	8	213	195	221	247	175	40	40	200	223,5	516,8	2079,9	2962	8735	7161	3581
SFB-140-20-12-9	B	140	20	12,7	131	9	243	195	221	247	175	40	40	200	223,5	560,9	2273	2962	9525	7852	3926
SFB-140-20-12-10	B	140	20	12,7	131	10	263	195	221	247	175	40	40	200	223,5	626,1	2599,9	2962	10806	8875	4438
SFB-140-20-12-11	B	140	20	12,7	131	11	283	195	221	247	175	40	40	200	223,5	679,6	2859,9	2962	11834	9727	4864
SFB-140-20-12-12	B	140	20	12,7	131	12	303	195	221	247	175	40	40	200	223,5	732,4	3119,9	2962	12857	10575	5288
SFB-140-20-12-13	B	140	20	12,7	131	13	333	195	221	247	175	40	40	200	223,5	784,6	3379,8	2962	13877	11422	5711
SFB-140-20-12-14	B	140	20	12,7	131	14	353	195	221	247	175	40	40	200	223,5	836,2	3639,8	2962	14892	12265	6133
SFB-140-20-12-15	B	140	20	12,7	131	15	371	195	221	247	175	40	40	200	223,5	887,4	3899,8	2962	15905	13106	6553
SFB-140-20-12-16	B	140	20	12,7	131	16	391	195	221	247	175	40	40	200	223,5	938	4159,8	2962	16914	13945	6973
SFB-140-20-15-2	B	140	20	15,875	127	2	89	210	236	262	175	30	40	215	238,5	213,3	716,3	2820	2396	1994	997
SFB-140-20-15-3	B	140	20	15,875	127	3	109	210	236	262	175	30	40	215	238,5	303,3	1082,1	2820	3530	2947	1474
SFB-140-20-15-4	B	140	20	15,875	127	4	129	210	236	262	175	30	40	215	238,5	389,8	1452,8	2820	4650	3889	1945
SFB-140-20-15-5	B	140	20	15,875	127	5	159	210	236	262	175	30	40	215	238,5	473,7	1828,3	2820	5758	4823	2412
SFB-140-20-15-6	B	140	20	15,875	127	6	179	210	236	262	175	30	40	215	238,5	555,9	2208,6	2820	6858	5751	2876

IPIRANGA TMBS SINGLE NUT

Reference	Recirculation	Nominal diameter	Lead	Ball diameter	Root diameter	Circuits	Dimensions					Dimensions					Loads and rigidity				
							Ln	D1	D4	D6	D5	L7	L1	L8	L9	Cam KN	Coam KN	Rsm N/μm	Rbt N/μm	Rnu N/μm	Rnu.ar N/μm
SINGLE NUT Ref	S/U/B Tipo	do mm	Ph mm	Dw mm	d3 mm	i units	mm	mm	mm	mm	mm	mm	mm	mm	mm	mm	mm	mm	mm	mm	mm
SFB-140-20-15-7	B	140	20	15,875	127	7	199	210	236	262	175	30	40	215	238,5	636,6	2593,4	2820	7952	6675	3338
SFB-140-20-15-8	B	140	20	15,875	127	8	219	210	236	262	175	30	40	215	238,5	731,6	3073,7	2820	9328	7797	3899
SFB-140-20-15-9	B	140	20	15,875	127	9	249	210	236	262	175	30	40	215	238,5	790,2	3334,4	2820	10104	8497	4249
SFB-140-20-15-10	B	140	20	15,875	127	10	269	210	236	262	175	30	40	215	238,5	886,3	3842,1	2820	11538	9661	4831
SFB-140-20-15-11	B	140	20	15,875	127	11	289	210	236	262	175	30	40	215	238,5	962	4226,4	2820	12636	10588	5294
SFB-140-20-15-12	B	140	20	15,875	127	12	309	210	236	262	175	30	40	215	238,5	1036,8	4610,6	2820	13729	11511	5756
SFB-140-20-15-13	B	140	20	15,875	127	13	339	210	236	262	175	30	40	215	238,5	1084,1	4816,4	2820	14346	12098	6049
SFB-140-20-15-14	B	140	20	15,875	127	14	359	210	236	262	175	30	40	215	238,5	1183,8	5379	2820	15902	13348	6674
SFB-140-20-15-15	B	140	20	15,875	127	15	377	210	236	262	175	30	40	215	238,5	1256,1	5763,2	2820	16983	14263	7132
SFB-140-20-15-16	B	140	20	15,875	127	16	397	210	236	262	175	30	40	215	238,5	1327,8	6147,4	2820	18061	15176	7588
SFB-140-25-12-2	B	140	25	12,7	131	2	93	195	221	247	175	40	40	200	223,5	151,7	487,3	2962	2258	1911	956
SFB-140-25-12-3	B	140	25	12,7	131	3	118	195	221	247	175	40	40	200	223,5	215,6	736,4	2962	3327	2823	1412
SFB-140-25-12-4	B	140	25	12,7	131	4	143	195	221	247	175	40	40	200	223,5	276,9	989	2962	4380	3724	1862
SFB-140-25-12-5	B	140	25	12,7	131	5	181	195	221	247	175	40	40	200	223,5	336,4	1245	2962	5423	4617	2309
SFB-140-25-12-6	B	140	25	12,7	131	6	206	195	221	247	175	40	40	200	223,5	394,6	1504,4	2962	6459	5505	2753
SFB-140-25-12-7	B	140	25	12,7	131	7	231	195	221	247	175	40	40	200	223,5	451,6	1767	2962	7487	6387	3194
SFB-140-25-12-8	B	140	25	12,7	131	8	256	195	221	247	175	40	40	200	223,5	516,4	2078,8	2962	8725	7421	3711
SFB-140-25-12-9	B	140	25	12,7	131	9	293	195	221	247	175	40	40	200	223,5	560,5	2271,8	2962	9514	8130	4065
SFB-140-25-12-10	B	140	25	12,7	131	10	318	195	221	247	175	40	40	200	223,5	625,7	2598,5	2962	10794	9195	4598
SFB-140-25-12-11	B	140	25	12,7	131	11	343	195	221	247	175	40	40	200	223,5	679,1	2858,3	2962	11820	10076	5038
SFB-140-25-12-12	B	140	25	12,7	131	12	366	195	221	247	175	40	40	200	223,5	731,9	3118,2	2962	12842	10954	5477
SFB-140-25-12-13	B	140	25	12,7	131	13	404	195	221	247	175	40	40	200	223,5	784,1	3378	2962	13861	11829	5915
SFB-140-25-12-14	B	140	25	12,7	131	14	429	195	221	247	175	40	40	200	223,5	835,6	3637,8	2962	14875	12701	6351
SFB-140-25-12-15	B	140	25	12,7	131	15	454	195	221	247	175	40	40	200	223,5	886,7	3897,7	2962	15886	13571	6786
SFB-140-25-12-16	B	140	25	12,7	131	16	479	195	221	247	175	40	40	200	223,5	937,3	4157,5	2962	16894	14438	7219
SFB-140-25-12-17	B	140	25	12,7	131	17	516	195	221	247	175	40	40	200	223,5	987,5	4417,4	2962	17900	15304	7652
SFB-140-25-15-7	B	140	25	15,875	127	7	237	210	236	262	175	30	40	215	238,5	636,1	2592	2820	7942	6889	3445
SFB-140-25-15-8	B	140	25	15,875	127	8	262	210	236	262	175	30	40	215	238,5	731	3072	2820	9317	8053	4027
SFB-140-25-15-9	B	140	25	15,875	127	9	299	210	236	262	175	30	40	215	238,5	789,6	3332,6	2820	10092	8768	4384
SFB-140-25-15-10	B	140	25	15,875	127	10	324	210	236	262	175	30	40	215	238,5	885,7	3840	2820	11525	9976	4988
SFB-140-25-15-11	B	140	25	15,875	127	11	349	210	236	262	175	30	40	215	238,5	961,3	4224	2820	12621	10931	5466
SFB-140-25-15-12	B	140	25	15,875	127	12	372	210	236	262	175	30	40	215	238,5	1036	4608	2820	13713	11883	5942
SFB-140-25-15-13	B	140	25	15,875	127	13	410	210	236	262	175	30	40	215	238,5	1083,3	4813,7	2820	14329	12476	6238
SFB-140-25-15-14	B	140	25	15,875	127	14	435	210	236	262	175	30	40	215	238,5	1182,9	5376	2820	15884	13778	6889
SFB-140-25-15-15	B	140	25	15,875	127	15	460	210	236	262	175	30	40	215	238,5	1255,2	5760	2820	16963	14720	7360
SFB-140-25-15-16	B	140	25	15,875	127	16	485	210	236	262	175	30	40	215	238,5	1326,9	6144	2820	18040	15661	7831
SFB-140-25-15-17	B	140	25	15,875	127	17	522	210	236	262	175	30	40	215	238,5	1397,9	6528	2820	19113	16598	8299
SFB-140-25-15-18	B	140	25	15,875	127	18	547	210	236	262	175	30	40	215	238,5	1468,3	6912	2820	20183	17534	8767
SFB-140-25-15-19	B	140	25	15,875	127	19	547	210	236	262	175	30	40	215	238,5	1538,2	7296	2820	21251	18468	9234
SFB-140-25-19-2	B	140	25	19,05	124,1	2	105	220	246	272	175	40	40	225	248,5	267,5	829,5	2723	2388	2076	1038
SFB-140-25-19-3	B	140	25	19,05	124,1	3	130	220	246	272	175	40	40	225	248,5	391,8	1308,7	2723	3661	3173	1587
SFB-140-25-19-4	B	140	25	19,05	124,1	4	155	220	246	272	175	40	40	225	248,5	503,3	1755,2	2723	4821	4186	2093

IPIRANGA
TMBS
SINGLE NUT

Reference	Recirculation	Nominal diameter	Lead	Ball diameter	Root diameter	Circuits	Dimensions					Dimensions					Loads and rigidity				
							Ln	D1	D4	D6	D5	L7	L1	L8	L9	Cam KN	Coam KN	Rsm N/μm	Rbt N/μm	Rnu N/μm	Rnu.ar N/μm
SINGLE NUT	S/U/B	do	Ph	Dw	d3	i	Ln	D1	D4	D6	D5	L7	L1	L8	L9	Cam	Coam	Rsm	Rbt	Rnu	Rnu.ar
Ref	Tipo	mm	mm	mm	mm	units	mm	mm	mm	mm	mm	mm	mm	mm	mm	KN	KN	N/μm	N/μm	N/μm	N/μm
SFB-140-25-19-5	B	140	25	19,05	124,1	5	180	220	246	272	175	40	40	225	248,5	611,6	2206,8	2723	5969	5189	2595
SFB-140-25-19-6	B	140	25	19,05	124,1	6	218	220	246	272	175	40	40	225	248,5	717,5	2663,3	2723	7109	6186	3093
SFB-140-25-19-7	B	140	25	19,05	124,1	7	243	220	246	272	175	40	40	225	248,5	821,5	3124,6	2723	8242	7177	3589
SFB-140-25-19-8	B	140	25	19,05	124,1	8	268	220	246	272	175	40	40	225	248,5	921,4	3571	2723	9361	8158	4079
SFB-140-25-19-9	B	140	25	19,05	124,1	9	293	220	246	272	175	40	40	225	248,5	1019,7	4017,4	2723	10473	9134	4567
SFB-140-25-19-10	B	140	25	19,05	124,1	10	318	220	246	272	175	40	40	225	248,5	1116,4	4463,7	2723	11580	10105	5053
SFB-140-25-19-11	B	140	25	19,05	124,1	11	355	220	246	272	175	40	40	225	248,5	1211,7	4910,1	2723	12681	11072	5536
SFB-140-25-19-12	B	140	25	19,05	124,1	12	378	220	246	272	175	40	40	225	248,5	1305,9	5356,5	2723	13778	12036	6018
SFB-140-25-19-13	B	140	25	19,05	124,1	13	403	220	246	272	175	40	40	225	248,5	1399	5802,9	2723	14871	12997	6499
SFB-140-25-19-14	B	140	25	19,05	124,1	14	428	220	246	272	175	40	40	225	248,5	1491	6249,2	2723	15959	13954	6977
SFB-140-25-19-15	B	140	25	19,05	124,1	15	453	220	246	272	175	40	40	225	248,5	1582,2	6695,6	2723	17044	14909	7455
SFB-140-25-19-16	B	140	25	19,05	124,1	16	491	220	246	272	175	40	40	225	248,5	1672,5	7142	2723	18126	15861	7931
SFB-140-25-19-17	B	140	25	19,05	124,1	17	516	220	246	272	175	40	40	225	248,5	1762	7588,3	2723	19204	16810	8405
SFB-140-25-19-18	B	140	25	19,05	124,1	18	541	220	246	272	175	40	40	225	248,5	1850,8	8034,7	2723	20280	17758	8879
SFB-140-25-19-19	B	140	25	19,05	124,1	19	547	220	246	272	175	40	40	225	248,5	1938,8	8481,1	2723	21352	18703	9352
SFB-140-30-12-2	B	140	30	12,7	131	2	103	195	221	247	175	40	40	200	223,5	151,5	487	2962	2255	1959	980
SFB-140-30-12-3	B	140	30	12,7	131	3	133	195	221	247	175	40	40	200	223,5	215,4	735,9	2962	3322	2892	1446
SFB-140-30-12-4	B	140	30	12,7	131	4	163	195	221	247	175	40	40	200	223,5	276,7	988,3	2962	4374	3814	1907
SFB-140-30-12-5	B	140	30	12,7	131	5	208	195	221	247	175	40	40	200	223,5	336,1	1244,2	2962	5416	4729	2365
SFB-140-30-12-6	B	140	30	12,7	131	6	238	195	221	247	175	40	40	200	223,5	394,2	1503,4	2962	6449	5636	2818
SFB-140-30-12-7	B	140	30	12,7	131	7	268	195	221	247	175	40	40	200	223,5	451,2	1765,8	2962	7477	6540	3270
SFB-140-30-12-8	B	140	30	12,7	131	8	298	195	221	247	175	40	40	200	223,5	516	2077,4	2962	8713	7602	3801
SFB-140-30-12-9	B	140	30	12,7	131	9	343	195	221	247	175	40	40	200	223,5	560,1	2270,3	2962	9501	8322	4161
SFB-140-30-12-10	B	140	30	12,7	131	10	371	195	221	247	175	40	40	200	223,5	625,1	2596,7	2962	10778	9416	4708
SFB-140-30-12-11	B	140	30	12,7	131	11	401	195	221	247	175	40	40	200	223,5	678,5	2856,4	2962	11803	10317	5159
SFB-140-30-12-12	B	140	30	12,7	131	12	431	195	221	247	175	40	40	200	223,5	731,3	3116,1	2962	12825	11216	5608
SFB-140-30-12-13	B	140	30	12,7	131	13	476	195	221	247	175	40	40	200	223,5	783,4	3375,7	2962	13841	12110	6055
SFB-140-30-15-7	B	140	30	15,875	127	7	274	210	236	262	175	30	40	215	238,5	635,6	2590,3	2820	7931	7036	3518
SFB-140-30-15-8	B	140	30	15,875	127	8	304	210	236	262	175	30	40	215	238,5	730,4	3069,9	2820	9303	8229	4115
SFB-140-30-15-9	B	140	30	15,875	127	9	349	210	236	262	175	30	40	215	238,5	788,9	3330,3	2820	10078	8953	4477
SFB-140-30-15-10	B	140	30	15,875	127	10	377	210	236	262	175	30	40	215	238,5	884,9	3837,4	2820	11509	10192	5096
SFB-140-30-15-11	B	140	30	15,875	127	11	407	210	236	262	175	30	40	215	238,5	960,5	4221,2	2820	12603	11167	5584
SFB-140-30-15-12	B	140	30	15,875	127	12	437	210	236	262	175	30	40	215	238,5	1035,1	4604,9	2820	13693	12138	6069
SFB-140-30-15-13	B	140	30	15,875	127	13	482	210	236	262	175	30	40	215	238,5	1082,3	4810,5	2820	14309	12735	6368
SFB-140-30-19-3	B	140	30	19,05	124,1	3	145	220	246	272	175	40	40	225	248,5	391,4	1307,8	2723	3655	3241	1621
SFB-140-30-19-4	B	140	30	19,05	124,1	4	175	220	246	272	175	40	40	225	248,5	502,8	1754	2723	4814	4274	2137
SFB-140-30-19-5	B	140	30	19,05	124,1	5	205	220	246	272	175	40	40	225	248,5	611	2205,3	2723	5961	5298	2649
SFB-140-30-19-6	B	140	30	19,05	124,1	6	250	220	246	272	175	40	40	225	248,5	716,8	2661,5	2723	7099	6315	3158
SFB-140-30-19-7	B	140	30	19,05	124,1	7	280	220	246	272	175	40	40	225	248,5	820,8	3122,5	2723	8231	7326	3663
SFB-140-30-19-8	B	140	30	19,05	124,1	8	310	220	246	272	175	40	40	225	248,5	920,6	3568,6	2723	9348	8326	4163
SFB-140-30-19-9	B	140	30	19,05	124,1	9	340	220	246	272	175	40	40	225	248,5	1018,8	4014,7	2723	10459	9321	4661
SFB-140-30-19-10	B	140	30	19,05	124,1	10	368	220	246	272	175	40	40	225	248,5	1115,4	4460,7	2723	11564	10312	5156

IPIRANGA
TMBS
SINGLE NUT

Reference	Recirculation	Nominal diameter	Lead	Ball diameter	Root diameter	Circuits	Dimensions					Dimensions					Loads and rigidity				
							Ln	D1	D4	D6	D5	L7	L1	L8	L9	Cam KN	Coam KN	Rsm N/μm	Rbt N/μm	Rnu N/μm	Rnu.ar N/μm
SINGLE NUT	S/U/B	do	Ph	Dw	d3	i	Ln	D1	D4	D6	D5	L7	L1	L8	L9	Cam	Coam	Rsm	Rbt	Rnu	Rnu.ar
Ref	Tipo	mm	mm	mm	mm	units	mm	mm	mm	mm	mm	mm	mm	mm	mm	KN	KN	N/μm	N/μm	N/μm	N/μm
SFB-140-30-19-11	B	140	30	19,05	124,1	11	413	220	246	272	175	40	40	225	248,5	1210,7	4906,8	2723	12663	11297	5649
SFB-140-30-19-12	B	140	30	19,05	124,1	12	443	220	246	272	175	40	40	225	248,5	1304,8	5352,9	2723	13759	12280	6140
SFB-140-30-19-13	B	140	30	19,05	124,1	13	473	220	246	272	175	40	40	225	248,5	1397,7	5798,9	2723	14849	13258	6629
SFB-140-40-12-2	B	140	40	12,7	131	2	123	195	221	247	175	40	40	200	223,5	151,2	486,1	2962	2247	2019	1010
SFB-140-40-12-3	B	140	40	12,7	131	3	163	195	221	247	175	40	40	200	223,5	214,9	734,7	2962	3310	2979	1490
SFB-140-40-12-4	B	140	40	12,7	131	4	203	195	221	247	175	40	40	200	223,5	276,1	986,7	2962	4359	3928	1964
SFB-140-40-12-5	B	140	40	12,7	131	5	263	195	221	247	175	40	40	200	223,5	335,4	1242,1	2962	5397	4868	2434
SFB-140-40-12-6	B	140	40	12,7	131	6	303	195	221	247	175	40	40	200	223,5	713,9	3001,6	2962	7839	6928	3464
SFB-140-40-12-7	B	140	40	12,7	131	7	343	195	221	247	175	40	40	200	223,5	817,1	3525,5	2962	9087	8037	4019
SFB-140-40-12-8	B	140	40	12,7	131	8	381	195	221	247	175	40	40	200	223,5	514,8	2073,8	2962	8682	7827	3914
SFB-140-40-12-9	B	140	40	12,7	131	9	441	195	221	247	175	40	40	200	223,5	558,8	2266,4	2962	9466	8560	4280
SFB-140-40-12-10	B	140	40	12,7	131	10	481	195	221	247	175	40	40	200	223,5	623,8	2592,3	2962	10740	9692	4846
SFB-140-40-15-2	B	140	40	15,875	127	2	129	210	236	262	175	30	40	215	238,5	212,4	714,2	2820	2381	2164	1082
SFB-140-40-15-3	B	140	40	15,875	127	3	169	210	236	262	175	30	40	215	238,5	343,3	1104,1	2820	3845	3471	1736
SFB-140-40-15-4	B	140	40	15,875	127	4	209	210	236	262	175	30	40	215	238,5	388,3	1448,5	2820	4621	4212	2106
SFB-140-40-15-5	B	140	40	15,875	127	5	269	210	236	262	175	30	40	215	238,5	471,9	1823	2820	5722	5219	2610
SFB-140-40-15-6	B	140	40	15,875	127	6	309	210	236	262	175	30	40	215	238,5	553,8	2202,1	2820	6816	6221	3111
SFB-140-40-15-7	B	140	40	15,875	127	7	349	210	236	262	175	30	40	215	238,5	634,1	2585,8	2820	7902	7216	3608
SFB-140-40-15-8	B	140	40	15,875	127	8	387	210	236	262	175	30	40	215	238,5	728,8	3064,7	2820	9270	8446	4223
SFB-140-40-15-9	B	140	40	15,875	127	9	447	210	236	262	175	30	40	215	238,5	787,1	3324,6	2820	10041	9179	4590
SFB-140-40-15-10	B	140	40	15,875	127	10	487	210	236	262	175	30	40	215	238,5	882,9	3830,8	2820	11467	10457	5229
SFB-140-40-19-2	B	140	40	19,05	124,1	2	135	220	246	272	175	40	40	225	248,5	266,7	827,5	2723	2377	2174	1087
SFB-140-40-19-3	B	140	40	19,05	124,1	3	175	220	246	272	175	40	40	225	248,5	390,5	1305,6	2723	3642	3325	1663
SFB-140-40-19-4	B	140	40	19,05	124,1	4	215	220	246	272	175	40	40	225	248,5	501,7	1751	2723	4796	4382	2191
SFB-140-40-19-5	B	140	40	19,05	124,1	5	255	220	246	272	175	40	40	225	248,5	609,7	2201,5	2723	5939	5431	2716
SFB-140-40-19-6	B	140	40	19,05	124,1	6	315	220	246	272	175	40	40	225	248,5	715,2	2656,9	2723	7073	6472	3236
SFB-140-40-19-7	B	140	40	19,05	124,1	7	355	220	246	272	175	40	40	225	248,5	818,9	3117,2	2723	8201	7508	3754
SFB-140-40-19-8	B	140	40	19,05	124,1	8	393	220	246	272	175	40	40	225	248,5	918,6	3562,5	2723	9314	8532	4266
SFB-140-40-19-9	B	140	40	19,05	124,1	9	433	220	246	272	175	40	40	225	248,5	1016,5	4007,8	2723	10421	9550	4775
SFB-140-40-19-10	B	140	40	19,05	124,1	10	473	220	246	272	175	40	40	225	248,5	1112,9	4453,1	2723	11522	10563	5282
SFB-140-50-12-2	B	140	50	12,7	131	2	143	195	221	247	175	40	40	200	223,5	150,8	485,1	2962	2237	2053	1027
SFB-140-50-12-3	B	140	50	12,7	131	3	193	195	221	247	175	40	40	200	223,5	214,3	733,1	2962	3295	3028	1514
SFB-140-50-12-4	B	140	50	12,7	131	4	243	195	221	247	175	40	40	200	223,5	275,3	984,5	2962	4339	3991	1996
SFB-140-50-12-5	B	140	50	12,7	131	5	318	195	221	247	175	40	40	200	223,5	334,4	1239,4	2962	5372	4945	2473
SFB-140-50-12-6	B	140	50	12,7	131	6	366	195	221	247	175	40	40	200	223,5	392,2	1497,5	2962	6397	5891	2946
SFB-140-50-12-7	B	140	50	12,7	131	7	416	195	221	247	175	40	40	200	223,5	448,9	1758,9	2962	7416	6833	3417
SFB-140-50-15-2	B	140	50	15,875	127	2	149	210	236	262	175	30	40	215	238,5	211,8	712,6	2820	2370	2195	1098
SFB-140-50-15-3	B	140	50	15,875	127	3	199	210	236	262	175	30	40	215	238,5	301,3	1076,5	2820	3493	3239	1620
SFB-140-50-15-4	B	140	50	15,875	127	4	249	210	236	262	175	30	40	215	238,5	387,2	1445,3	2820	4600	4270	2135
SFB-140-50-15-5	B	140	50	15,875	127	5	324	210	236	262	175	30	40	215	238,5	470,6	1819	2820	5696	5290	2645
SFB-140-50-15-6	B	140	50	15,875	127	6	372	210	236	262	175	30	40	215	238,5	552,2	2197,3	2820	6784	6304	3152
SFB-140-50-15-7	B	140	50	15,875	127	7	422	210	236	262	175	30	40	215	238,5	632,3	2580,1	2820	7866	7313	3657

IPIRANGA
TMBS
SINGLE NUT

Reference	Recirculation	Nominal diameter	Lead	Ball diameter	Root diameter	Circuits	Dimensions					Dimensions					Loads and rigidity				
							Ln	D1	D4	D6	D5	L7	L1	L8	L9	Cam	Coam	Rsm	Rbt	Rnu	Rnu.ar
SINGLE NUT Ref	S/U/B Tipo	do mm	Ph mm	Dw mm	d3 mm	i units	mm	mm	mm	mm	mm	mm	mm	mm	mm	KN	KN	N/μm	N/μm	N/μm	N/μm
SFB-140-50-15-8	B	140	50	15,875	127	8	472	210	236	262	175	30	40	215	238,5	726,7	3057,9	2820	9227	8562	4281
SFB-140-50-19-2	B	140	50	19,05	124,1	2	155	220	246	272	175	40	40	225	248,5	265,9	825,7	2723	2365	2201	1101
SFB-140-50-19-3	B	140	50	19,05	124,1	3	205	220	246	272	175	40	40	225	248,5	389,4	1302,7	2723	3626	3370	1685
SFB-140-50-19-4	B	140	50	19,05	124,1	4	255	220	246	272	175	40	40	225	248,5	500,3	1747,2	2723	4775	4441	2221
SFB-140-50-19-5	B	140	50	19,05	124,1	5	330	220	246	272	175	40	40	225	248,5	607,9	2196,7	2723	5912	5502	2751
SFB-140-50-19-6	B	140	50	19,05	124,1	6	378	220	246	272	175	40	40	225	248,5	713,2	2651,1	2723	7041	6556	3278
SFB-140-50-19-7	B	140	50	19,05	124,1	7	428	220	246	272	175	40	40	225	248,5	816,6	3110,3	2723	8163	7604	3802
SFB-140-50-19-8	B	140	50	19,05	124,1	8	478	220	246	272	175	40	40	225	248,5	916	3554,7	2723	9272	8641	4321
SFB-160-20-15-2	B	160	20	15,875	147	2	89	230	256	282	175	40	40	235	258,5	227	826,4	3748	2684	2157	1079
SFB-160-20-15-3	B	160	20	15,875	147	3	109	230	256	282	175	40	40	235	258,5	322,7	1248,4	3748	3954	3189	1595
SFB-160-20-15-4	B	160	20	15,875	147	4	139	230	256	282	175	40	40	235	258,5	414,7	1676	3748	5207	4209	2105
SFB-160-20-15-5	B	160	20	15,875	147	5	159	230	256	282	175	40	40	235	258,5	504	2109,1	3748	6448	5222	2611
SFB-160-20-15-6	B	160	20	15,875	147	6	179	230	256	282	175	40	40	235	258,5	591,3	2547,6	3748	7679	6228	3114
SFB-160-20-15-7	B	160	20	15,875	147	7	209	230	256	282	175	40	40	235	258,5	677	2991,4	3748	8903	7229	3615
SFB-160-20-15-8	B	160	20	15,875	147	8	229	230	256	282	175	40	40	235	258,5	759,4	3418,7	3748	10112	8220	4110
SFB-160-20-15-9	B	160	20	15,875	147	9	249	230	256	282	175	40	40	235	258,5	840,3	3846	3748	11313	9206	4603
SFB-160-20-15-10	B	160	20	15,875	147	10	279	230	256	282	175	40	40	235	258,5	920	4273,4	3748	12509	10188	5094
SFB-160-20-15-11	B	160	20	15,875	147	11	299	230	256	282	175	40	40	235	258,5	998,6	4700,7	3748	13699	11166	5583
SFB-160-20-15-12	B	160	20	15,875	147	12	319	230	256	282	175	40	40	235	258,5	1076,2	5128,1	3748	14883	12141	6071
SFB-160-20-15-13	B	160	20	15,875	147	13	349	230	256	282	175	40	40	235	258,5	1152,9	5555,4	3748	16064	13113	6557
SFB-160-20-15-14	B	160	20	15,875	147	14	369	230	256	282	175	40	40	235	258,5	1228,8	5982,7	3748	17240	14082	7041
SFB-160-20-15-15	B	160	20	15,875	147	15	387	230	256	282	175	40	40	235	258,5	1303,9	6410,1	3748	18411	15047	7524
SFB-160-20-15-16	B	160	20	15,875	147	16	417	230	256	282	175	40	40	235	258,5	1378,3	6837,4	3748	19580	16011	8006
SFB-160-25-15-2	B	160	25	15,875	147	2	99	230	256	282	175	40	40	235	258,5	226,8	826,1	3748	2681	2243	1122
SFB-160-25-15-3	B	160	25	15,875	147	3	124	230	256	282	175	40	40	235	258,5	322,6	1247,8	3748	3950	3315	1658
SFB-160-25-15-4	B	160	25	15,875	147	4	162	230	256	282	175	40	40	235	258,5	414,5	1675,3	3748	5203	4374	2187
SFB-160-25-15-5	B	160	25	15,875	147	5	187	230	256	282	175	40	40	235	258,5	503,7	2108,2	3748	6442	5424	2712
SFB-160-25-15-6	B	160	25	15,875	147	6	212	230	256	282	175	40	40	235	258,5	590,9	2546,5	3748	7672	6467	3234
SFB-160-25-15-7	B	160	25	15,875	147	7	249	230	256	282	175	40	40	235	258,5	676,6	2990,1	3748	8895	7506	3753
SFB-160-25-15-8	B	160	25	15,875	147	8	274	230	256	282	175	40	40	235	258,5	759	3417,3	3748	10103	8533	4267
SFB-160-25-15-9	B	160	25	15,875	147	9	299	230	256	282	175	40	40	235	258,5	839,9	3844,4	3748	11304	9556	4778
SFB-160-25-15-10	B	160	25	15,875	147	10	337	230	256	282	175	40	40	235	258,5	919,5	4271,6	3748	12498	10573	5287
SFB-160-25-15-11	B	160	25	15,875	147	11	362	230	256	282	175	40	40	235	258,5	998,1	4698,7	3748	13687	11587	5794
SFB-160-25-15-12	B	160	25	15,875	147	12	385	230	256	282	175	40	40	235	258,5	1075,6	5125,9	3748	14870	12596	6298
SFB-160-25-15-13	B	160	25	15,875	147	13	422	230	256	282	175	40	40	235	258,5	1152,3	5553	3748	16049	13602	6801
SFB-160-25-15-14	B	160	25	15,875	147	14	447	230	256	282	175	40	40	235	258,5	1228,1	5980,2	3748	17224	14606	7303
SFB-160-25-15-15	B	160	25	15,875	147	15	472	230	256	282	175	40	40	235	258,5	1303,2	6407,3	3748	18395	15606	7803
SFB-160-25-15-16	B	160	25	15,875	147	16	510	230	256	282	175	40	40	235	258,5	1377,6	6834,5	3748	19562	16604	8302
SFB-160-25-15-17	B	160	25	15,875	147	17	535	230	256	282	175	40	40	235	258,5	1451,3	7261,7	3748	20726	17600	8800
SFB-160-25-15-18	B	160	25	15,875	147	18	560	230	256	282	175	40	40	235	258,5	1524,4	7688,8	3748	21887	18593	9297
SFB-160-25-19-2	B	160	25	19,05	144,1	2	105	240	266	292	175	40	40	245	268,5	291,1	986,2	3637	2748	2317	1159
SFB-160-25-19-3	B	160	25	19,05	144,1	3	130	240	266	292	175	40	40	245	268,5	413,9	1488,2	3637	4049	3423	1712

IPIRANGA
TMBS
SINGLE NUT

Reference	Recirculation	Nominal diameter	Lead	Ball diameter	Root diameter	Circuits	Dimensions					Dimensions					Loads and rigidity				
							Ln	D1	D4	D6	D5	L7	L1	L8	L9	Cam	Coam	Rsm	Rbt	Rnu	Rnu.ar
SINGLE NUT Ref	S/U/B Tipo	do mm	Ph mm	Dw mm	d3 mm	i units	mm	mm	mm	mm	mm	mm	mm	mm	mm	KN	KN	N/μm	N/μm	N/μm	N/μm
SFB-160-25-19-4	B	160	25	19,05	144,1	4	155	240	266	292	175	40	40	245	268,5	531,6	1995,9	3637	5331	4515	2258
SFB-160-25-19-5	B	160	25	19,05	144,1	5	193	240	266	292	175	40	40	245	268,5	645,9	2509,3	3637	6601	5599	2800
SFB-160-25-19-6	B	160	25	19,05	144,1	6	218	240	266	292	175	40	40	245	268,5	757,6	3028,2	3637	7861	6675	3338
SFB-160-25-19-7	B	160	25	19,05	144,1	7	243	240	266	292	175	40	40	245	268,5	867,3	3552,5	3637	9114	7746	3873
SFB-160-25-19-8	B	160	25	19,05	144,1	8	268	240	266	292	175	40	40	245	268,5	972,9	4060	3637	10351	8805	4403
SFB-160-25-19-9	B	160	25	19,05	144,1	9	305	240	266	292	175	40	40	245	268,5	1076,6	4567,5	3637	11581	9860	4930
SFB-160-25-19-10	B	160	25	19,05	144,1	10	330	240	266	292	175	40	40	245	268,5	1178,7	5075	3637	12805	10910	5455
SFB-160-25-19-11	B	160	25	19,05	144,1	11	355	240	266	292	175	40	40	245	268,5	1279,4	5582,5	3637	14023	11955	5978
SFB-160-25-19-12	B	160	25	19,05	144,1	12	378	240	266	292	175	40	40	245	268,5	1378,8	6090	3637	15235	12996	6498
SFB-160-25-19-13	B	160	25	19,05	144,1	13	416	240	266	292	175	40	40	245	268,5	1477,1	6597,5	3637	16444	14035	7018
SFB-160-25-19-14	B	160	25	19,05	144,1	14	441	240	266	292	175	40	40	245	268,5	1574,3	7105	3637	17647	15070	7535
SFB-160-25-19-15	B	160	25	19,05	144,1	15	466	240	266	292	175	40	40	245	268,5	1670,5	7612,5	3637	18847	16102	8051
SFB-160-25-19-16	B	160	25	19,05	144,1	16	491	240	266	292	175	40	40	245	268,5	1765,8	8120	3637	20043	17131	8566
SFB-160-25-19-17	B	160	25	19,05	144,1	17	528	240	266	292	175	40	40	245	268,5	1860,3	8627,5	3637	21235	18158	9079
SFB-160-25-19-18	B	160	25	19,05	144,1	18	553	240	266	292	175	40	40	245	268,5	1954,1	9135	3637	22425	19182	9591
SFB-160-30-19-3	B	160	30	19,05	144,1	3	145	240	266	292	175	40	40	245	268,5	413,6	1487,4	3637	4044	3510	1755
SFB-160-30-19-4	B	160	30	19,05	144,1	4	175	240	266	292	175	40	40	245	268,5	531,2	1994,9	3637	5325	4629	2315
SFB-160-30-19-5	B	160	30	19,05	144,1	5	220	240	266	292	175	40	40	245	268,5	645,5	2508	3637	6594	5739	2870
SFB-160-30-19-6	B	160	30	19,05	144,1	6	250	240	266	292	175	40	40	245	268,5	757,1	3026,6	3637	7853	6841	3421
SFB-160-30-19-7	B	160	30	19,05	144,1	7	280	240	266	292	175	40	40	245	268,5	866,8	3550,7	3637	9104	7937	3969
SFB-160-30-19-8	B	160	30	19,05	144,1	8	310	240	266	292	175	40	40	245	268,5	972,2	4057,9	3637	10340	9022	4511
SFB-160-30-19-9	B	160	30	19,05	144,1	9	355	240	266	292	175	40	40	245	268,5	1075,9	4565,1	3637	11569	10101	5051
SFB-160-30-19-10	B	160	30	19,05	144,1	10	383	240	266	292	175	40	40	245	268,5	1177,9	5072,4	3637	12791	11175	5588
SFB-160-30-19-11	B	160	30	19,05	144,1	11	413	240	266	292	175	40	40	245	268,5	1278,5	5579,6	3637	14007	12244	6122
SFB-160-30-19-12	B	160	30	19,05	144,1	12	443	240	266	292	175	40	40	245	268,5	1377,9	6086,8	3637	15219	13310	6655
SFB-160-30-19-13	B	160	30	19,05	144,1	13	488	240	266	292	175	40	40	245	268,5	1476,1	6594,1	3637	16426	14373	7187
SFB-160-40-19-2	B	160	40	19,05	144,1	2	135	240	266	292	175	40	40	245	268,5	331,2	1010,6	3637	3045	2697	1349
SFB-160-40-19-3	B	160	40	19,05	144,1	3	175	240	266	292	175	40	40	245	268,5	412,9	1485,4	3637	4033	3621	1811
SFB-160-40-19-4	B	160	40	19,05	144,1	4	215	240	266	292	175	40	40	245	268,5	530,3	1992,2	3637	5311	4774	2387
SFB-160-40-19-5	B	160	40	19,05	144,1	5	275	240	266	292	175	40	40	245	268,5	644,4	2504,6	3637	6576	5917	2959
SFB-160-40-19-6	B	160	40	19,05	144,1	6	315	240	266	292	175	40	40	245	268,5	755,8	3022,6	3637	7831	7051	3526
SFB-160-40-19-7	B	160	40	19,05	144,1	7	355	240	266	292	175	40	40	245	268,5	865,3	3546	3637	9079	8180	4090
SFB-160-40-19-8	B	160	40	19,05	144,1	8	393	240	266	292	175	40	40	245	268,5	970,6	4052,5	3637	10311	9295	4648
SFB-160-40-19-9	B	160	40	19,05	144,1	9	453	240	266	292	175	40	40	245	268,5	1074	4559,1	3637	11536	10405	5203
SFB-160-50-19-2	B	160	50	19,05	144,1	2	155	240	266	292	175	40	40	245	268,5	289,8	982,7	3637	2728	2497	1249
SFB-160-50-19-3	B	160	50	19,05	144,1	3	205	240	266	292	175	40	40	245	268,5	412	1482,9	3637	4019	3685	1843
SFB-160-50-19-4	B	160	50	19,05	144,1	4	255	240	266	292	175	40	40	245	268,5	529,2	1988,9	3637	5292	4857	2429
SFB-160-50-19-5	B	160	50	19,05	144,1	5	330	240	266	292	175	40	40	245	268,5	642,9	2500,4	3637	6552	6017	3009
SFB-160-50-19-6	B	160	50	19,05	144,1	6	378	240	266	292	175	40	40	245	268,5	754,2	3017,5	3637	7803	7171	3586
SFB-160-50-19-7	B	160	50	19,05	144,1	7	428	240	266	292	175	40	40	245	268,5	863,4	3540	3637	9047	8318	4159
SFB-160-50-19-8	B	160	50	19,05	144,1	8	478	240	266	292	175	40	40	245	268,5	968,4	4045,7	3637	10275	9452	4726

IPIRANGA DEBS DEMANDING ENVIRON- MENTS

ACCOMPANYING OUR CUSTOMERS EVEN IN THE MOST SEVERE

Ipiranga DEBS Demanding Environments Ball Screws perform at harshest conditions.

Ipiranga DEBS provide reliable solutions & best-in-class manufacturing capabilities to achieve true high performing results.



Engineering and manufacturing applied to harsh environmental requirements.

Improved materials technology and quality assurance results.

FEATURES & BENEFITS

- OPERATING CONDITIONS & APPLICATION ENVIRONMENTS**
- Rust, wear and corrosion protection.
 - Temperature prevention and reduction.
 - Operating silence.

- MANUFACTURING PROCESSES AVAILABLE**
- According to DIN 69051 and ISO 3408 standards
 - ISO 9001 and ISO 14001 certified
 - Ground
 - Rolled

- SPECIALTIES**
- Materials technologies.
 - Specialty alloys as nickel-molybdenum.
 - Special surface treatments as magnesium phosphate surface treatments.
 - Most advanced technologies for soft machining, rolling and grinding.

- INSPECTION**
- Quality guarantee and assurance in every step of the manufacturing process.
 - Testing processes done by our professionals or on behalf of third parties.

- PRODUCT FAMILIES**
- DEBS ROTATING DOUBLE NUT ROLLER BEARING
 - DEBS ROTATING SINGLE NUT COMPACT BEARING
 - DEBS COOLING SINGLE NUT

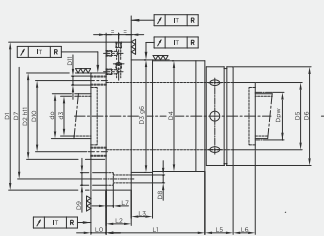


- FRAMEWORK**
- Multiple working conditions
 - Protect
 - Temp
 - Low noise

- INNOVATION**
- Tailored engineering
 - Custom manufacturing
 - Design eco

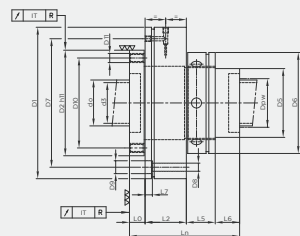
- TECHNOLOGY**
- Accuracy
 - Speed
 - Loads
 - Transport
 - Rolled

NUT CONFIGURATIONS



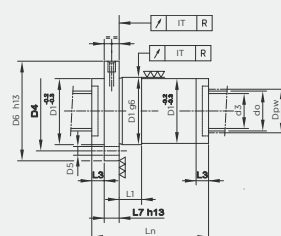
ROTATING DOUBLE NUT

ROLLER BEARING
When the *operational speeds and lengths* of the ball screw does not allow high Rpm, the Rotating Double Nuts of Ipiranga satisfy the feed rates and ensures **high rigidity and accuracy**.



ROTATING SINGLE NUT

COMPACT BEARING
When the *operational speeds and lengths* of the ball screw does not allow high Rpm, the Rotating Single Nuts of Ipiranga satisfy the feed rates and guarantee a **smooth drive**.



COOLING SINGLE NUT

When a heating is produced in the ball screw assembly, the accuracy and the life time of the ball screws are affected due to the deformations. Keeping an **equilibrate temperature** of the ball screw assembly we reduce such risks.



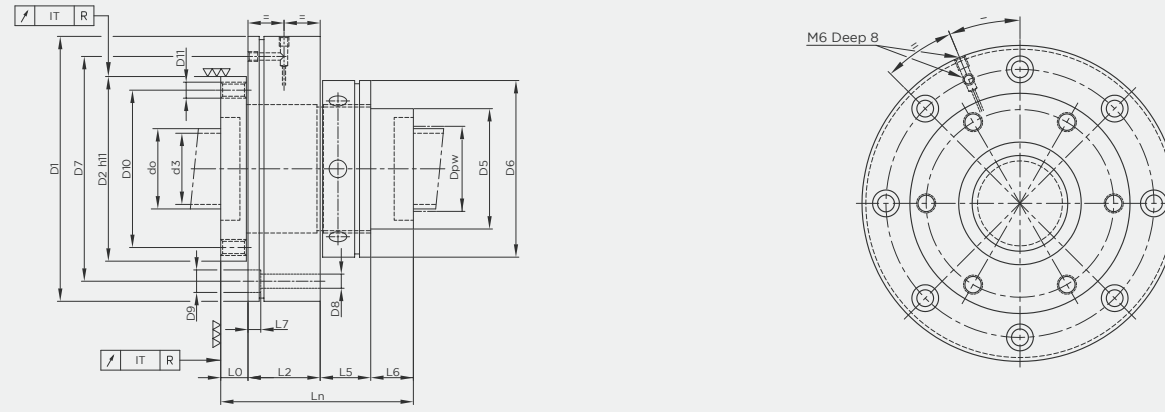
SAFETY NUT CONFIGURATION

Safety requirements are becoming more important, implementing Ipiranga embedded or integrated Safety nuts guarantee the load will be transferred from the ball nut to the safety nut in the event of failure of the system.

IPIRANGA
DEBS
ROTATING DOUBLE NUT
Roller Bearing

Reference	Recirculation	Nominal diameter	Lead	Ball diameter	Root diameter	Circuits	Dimensions											Dimensions							Ball screw loads and rigidity						Bearing loads and speed					
							D1	D2	D3	D4	D5	D6	D7	D8	D9	D10	D11	L0	L1	L2	L3	L5	L6	L7	Cam	Coam	Rsm	Rbt	Rnu	Rnu.ar	Cam Axial	Coam Axial	Rpm Axial	Cam radial	Coam Radial	Rpm Radial
DOUBLE NUT	S/U/B	do	Ph	Dw	d3	i	D1	D2	D3	D4	D5	D6	D7	D8	D9	D10	D11	L0	L1	L2	L3	L5	L6	L7	Cam	Coam	Rsm	Rbt	Rnu	Rnu.ar	Cam Axial	Coam Axial	Rpm Axial	Cam radial	Coam Radial	Rpm Radial
Ref	Tipo	mm	mm	mm	mm	units	mm	mm	mm	mm	mm	mm	mm	mm	mm	mm	mm	mm	mm	mm	mm	mm	mm	mm	KN	KN	N/μm	N/μm	N/μm	N/μm	KN	KN	Rpm	KN	KN	Rpm
DFB-100-10-6-3-RB-0	U	100	10	6,35	94,5	3	315	180	245	244,7	150	205	275	175	26	165	M8	10	262	60	60	41	0	17	64,7	252,7	1521	3621	2924	1462	189	855	1700	218	602	1900
DFB-100-16-8-3-RB-0	U	100	16	7,938	93,3	3	315	180	245	244,7	150	205	275	175	26	165	M8	10	262	60	60	41	0	17	96,7	324,2	1497	3897	3458	1729	189	855	1700	218	602	1900
DFB-100-16-8-4-RB-0	U	100	16	7,938	93,3	4	315	180	245	244,7	150	205	275	175	26	165	M8	10	262	60	60	41	0	17	124,3	437	1497	5133	4561	2281	189	855	1700	218	602	1900
DFB-100-20-9-3-RB-0	B	100	20	9,525	92,2	3	315	180	245	244,7	150	205	275	175	26	165	M8	10	262	60	60	41	0	17	124,9	386,6	1473	4048	3577	1789	189	855	1700	218	602	1900
DFB-100-20-9-3-RB-0	U	100	20	9,525	92,2	3	315	180	245	244,7	150	205	275	175	26	165	M8	10	262	60	60	41	0	17	124,9	386,6	1473	4048	3649	1825	189	855	1700	218	602	1900
DFB-100-20-9-4-RB-0	U	100	20	9,525	92,2	4	315	180	245	244,7	150	205	275	175	26	165	M8	10	262	60	60	41	0	17	160,6	520,4	1473	5333	4813	2407	189	855	1700	218	602	1900
DFB-100-20-9-4-RB-0	B	100	20	9,525	92,2	4	315	180	245	244,7	150	205	275	175	26	165	M8	10	262	60	60	41	0	17	160,6	520,4	1473	5333	4719	2360	189	855	1700	218	602	1900
DFB-100-20-9-5-RB-1	U	100	20	9,525	92,2	5	325	190	260	259,7	150	215	290	175	26	165	M8	10	292	60	60	41	0	17	199,3	677,2	1473	6787	6114	3057	406	1730	1500	249	726	1800
DFB-100-20-9-5-RB-1	B	100	20	9,525	92,2	5	325	190	260	259,7	150	215	290	175	26	165	M8	10	292	60	60	41	0	17	195,3	656,7	1473	6605	5851	2926	406	1730	1500	249	726	1800
DFB-100-20-9-6-RB-1	B	100	20	9,525	92,2	6	328	190	260	259,7	150	215	290	175	26	165	M8	10	292	60	60	41	0	17	229,2	795,2	1473	7867	6975	3488	406	1730	1500	249	726	1800
DFB-100-30-9-3-RB-0	U	100	30	9,525	92,2	3	315	180	245	244,7	150	205	275	175	26	165	M8	10	262	60	60	41	0	17	124,5	385,6	1473	4028	3756	1878	189	855	1700	218	602	1900
DFB-100-30-9-4-RB-0	U	100	30	9,525	92,2	4	315	180	245	244,7	150	205	275	175	26	165	M8	10	262	60	60	41	1	17	160,1	519,2	1473	5306	4951	2476	189	855	1700	218	602	1900
DFB-100-30-9-5-RB-1	U	100	30	9,525	92,2	5	325	190	260	259,7	150	215	290	175	26	165	M8	10	292	60	60	41	31	17	198,7	675,6	1473	6753	6294	3147	406	1730	1500	249	726	1800
DFB-100-40-9-3-RB-0	U	100	40	9,525	92,2	3	315	180	245	244,7	150	205	275	175	26	165	M8	10	262	60	60	41	12	17	123,9	384,3	1473	3999	3794	1897	189	855	1700	218	602	1900
DFB-100-40-9-4-RB-0	U	100	40	9,525	92,2	4	315	180	245	244,7	150	205	275	175	26	165	M8	10	262	60	60	41	92	17	159,4	517,4	1473	5268	5001	2501	189	855	1700	218	602	1900
DFB-100-40-9-5-RB-1	U	100	40	9,525	92,2	5	325	190	260	259,7	150	215	290	175	26	165	M8	10	292	60	60	41	142	17	197,8	673,3	1473	6705	6360	3180	406	1730	1500	249	726	1800

IPIRANGA
DEBS
ROTATING
SINGLE NUT
Compact Bearing

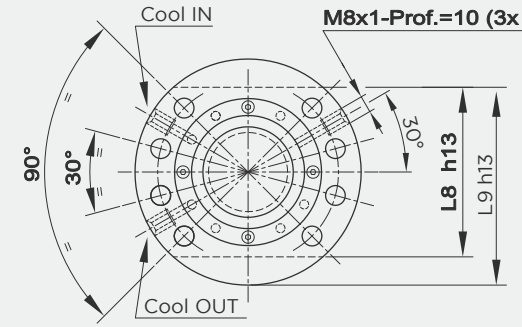
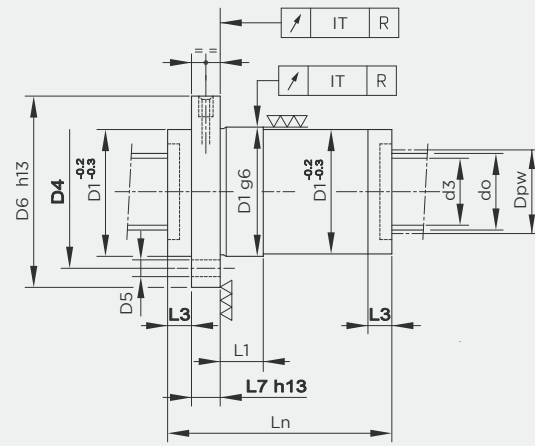


Reference	Recirculation	Nominal diameter	Lead	Ball diameter	Root diameter	Circuits	Dimensions							Dimensions							Loads and rigidity					Bearing loads and speed				
Ref Referencia	S/U/B Tipo	do mm	Pho mm	Dw mm	d3 mm	i units	D1 mm	D7 mm	D2 mm	D10 mm	D5 mm	D6 mm	D11 mm	D9 mm	D8 mm	Ln mm	L0 mm	L2 mm	L5 mm	L7 mm	L6 mm	Cam KN	Coam KN	Rsm N/μm	Rbt N/μm	Rnu N/μm	Rnu.ar N/μm	Cam KN	Coam KN	Rpm Rpm
SFB-32-10-6-3-CB	S	32	10	6,35	27,35	3	115	94	80	65	48	70	6xM8		6x8,8	76	11	34	25		6	38,9	68,5	137	768	700	350	46,5	126	3000
SFB-32-10-6-3-CB	U	32	10	6,35	27,35	3	145	120	80	65	56	84	6xM8	15	8x8,8	97	11	45	26	11	15	38,6	76,8	130	841	780	390	84	214	3000
SFB-32-15-6-3-CB	S	32	15	6,35	27,35	3	115	94	80	65	48	70	6xM8		6x8,8	103	11	34	25		33	36,6	62,9	137	707	677	339	46,5	126	3000
SFB-32-20-5-3-CB	U	32	20	4,762	28,56	3	145	120	80	65	58	84	6xM8	15	8x8,8	97	11	45	26	11	15	29	59,9	147	855	823	412	84	214	3000
SFB-32-25-5-2-CB	U	32	25	4,762	28,56	2	145	120	80	65	58	84	6xM8	15	8x8,8	93	11	45	26	11	11	19,4	36,9	147	544	529	265	84	214	3000
SFB-40-10-6-3-CB	S	40	10	6,35	35,35	3	145	120	93	80	58	84	6xM8	15	8x8,8	83	12	45	26	11	0	44,7	90,8	224	964	870	435	84	214	3000
SFB-40-10-6-4-CB	S	40	10	6,35	35,35	4	145	120	93	80	58	84	6xM8	15	8x8,8	92	12	45	26	11	9	57,6	122,7	224	1271	1148	574	84	214	3000
SFB-40-10-6-5-CB	S	40	10	6,35	35,35	5	145	120	93	80	58	84	6xM8	15	8x8,8	103	12	45	26	11	20	70,1	155,4	224	1575	1424	712	84	214	3000
SFB-40-12-6-3-CB	S	40	12	6,35	35,35	3	145	120	93	80	58	84	6xM8	15	8x8,8	91	12	45	26	11	8	44,6	90,7	224	962	883	442	84	214	3000
SFB-40-12-6-4-CB	S	40	12	6,35	35,35	4	145	120	93	80	58	84	6xM8	15	8x8,8	104	12	45	26	11	21	57,5	122,6	224	1268	1164	582	84	214	3000
SFB-40-12-6-5-CB	S	40	12	6,35	35,35	5	145	120	93	80	58	84	6xM8	15	8x8,8	117	12	45	26	11	34	70	155,2	224	1571	1444	722	84	214	3000
SFB-40-15-6-3-CB	S	40	15	6,35	35,35	3	145	120	93	80	58	84	6xM8	15	8x8,8	109	12	45	26	11	26	42,7	85,2	224	907	850	425	84	214	3000
SFB-40-15-6-4-CB	S	40	15	6,35	35,35	4	145	120	93	80	58	84	6xM8	15	8x8,8	128	12	45	26	11	45	55	115,1	224	1195	1120	560	84	214	3000
SFB-40-20-6-3-CB	S	40	20	6,35	35,35	3	145	120	93	80	58	84	6xM8	15	8x8,8	126	12	45	26	11	43	40,6	79,5	224	847	809	405	84	214	3000
SFB-40-20-6-3-CB	U	40	20	6,35	35,35	3	155	130	93	80	68	95	6xM8	15	8x8,8	92	18	45	28	11	1	43,2	97,9	214	1010	961	481	88	241	2800
SFB-40-20-6-4-CB	S	40	20	6,35	35,35	4	145	120	93	80	58	84	6xM8	15	8x8,8	148	12	45	26	11	65	52,4	107,4	224	1117	1067	534	84	214	3000
SFB-40-25-6-2-CB	U	40	25	6,35	35,35	2	155	130	93	80	68	95	6xM8	15	8x8,8	91	12	45	28	11	6	30	63,9	214	676	650	325	88	241	2800
SFB-40-25-6-3-CB	U	40	25	6,35	35,35	3	155	130	93	80	68	95	6xM8	15	8x8,8	116	12	45	28	11	31	42,8	97,3	214	996	958	479	88	241	2800
SFB-40-30-6-2-CB	U	40	30	6,35	35,35	2	155	130	93	80	68	95	6xM8	15	8x8,8	100	12	45	28	11	15	29,7	63,4	214	664	645	323	88	241	2800
SFB-40-30-6-3-CB	U	40	30	6,35	35,35	3	155	130	93	80	68	95	6xM8	15	8x8,8	130	12	45	28	11	45	42,4	96,5	214	980	953	477	88	241	2800
SFB-40-40-6-2-CB	U	40	40	6,35	35,35	2	155	130	93	80	68	95	6xM8	15	8x8,8	120	12	45	28	11	35	28,9	62,1	214	637	624	312	88	241	2800
SFB-50-10-7-3-CB	S	50	10	7,144	44,74	3	165	140	105	90	77	110	6xM8	15	8x8,8	90	13	45	32	11	0	57,9	127,7	355	1179	1030	515	91	265	2700
SFB-50-10-7-4-CB	S	50	10	7,144	44,74	4	165	140	105	90	77	110	6xM8	15	8x8,8	94	13	45	32	11	4	74,6	172,4	355	1554	1359	680	91	265	2700
SFB-50-10-7-5-CB	S	50	10	7,144	44,74	5	165	140	105	90	77	110	6xM8	15	8x8,8	105	13	45	32	11	15	90,8	218	355	1926	1686	843	91	265	2700
SFB-50-10-7-6-CB	S	50	10	7,144	44,74	6	165	140	105	90	77	110	6xM8	15	8x8,8	116	13	45	32	11	26	106,8	264,6	355	2295	2011	1006	91	265	2700
SFB-50-12-8-3-CB	S	50	12	7,938	44,22	3	165	140	105	90	77	110	6xM8	15	8x8,8	103	13	45	32	11	13	66,1	138,9	350	1183	1050	525	91	265	2700
SFB-50-12-8-4-CB	S	50	12	7,938	44,22	4	165	140	105	90	77	110	6xM8	15	8x8,8	116	13	45	32	11	26	85,1	187,3	350	1559	1385	693	91	265	2700
SFB-50-12-8-5-CB	S	50	12	7,938	44,22	5	165	140	105	90	77	110	6xM8	15	8x8,8	128	13	45	32	11	38	103,6	236,7	350	1932	1718	859	91	265	2700
SFB-50-15-8-3-CB	S	50	15	7,938	44,22	3	165	140	105	90	77	110	6xM8	15	8x8,8	115	13	45	32	11	25	63,3	130,5	350	1118	1020	510	91	265	2700
SFB-50-15-8-4-CB	S	50	15	7,938	44,22	4	165	140	105	90	77	110	6xM8	15	8x8,8	131	13	45	32	11	41	81,5	176	350	1473	1345	673	91	265	2700
SFB-50-15-8-5-CB	S	50	15	7,938	44,22	5	165	140	105	90	77	110	6xM8	15	8x8,8	147	13	45	32	11	57	99,3	222,5	350	1825	1668	834	91	265	2700
SFB-50-16-8-3-CB	S	50	16	7,938	44,22	3	165	140	105	90	77	110	6xM8	15	8x8,8	115	13	45	32	11	25	63,3	130,4	350	1116	1024	512	91	265	2700
SFB-50-16-8-4-CB	S	50	16	7,938	44,22	4	165	140	105	90	77	110	6xM8	15	8x8,8	132	13	45	32	11	42	81,5	175,9	350	1471	1351	676	91	265	2700
SFB-50-16-8-5-CB	S	50	16	7,938	44,22	5	165	140	105	90	77	110	6xM8	15	8x8,8	149	13	45	32	11	59	99,2	222,3	350	1823	1675	838	91	265	2700
SFB-50-20-8-3-CB	S	50	20	7,938	44,22	3	165	140	105	90	77	110	6xM8	15	8x8,8	133	13	45	32	11	43	63,1	130,1	350	1110	1036	518	91	265	2700
SFB-50-20-8-4-CB	S	50	20	7,938	44,22	4	165	140	105	90	77	110	6xM8	15	8x8,8	155	13	45	32	11	65	81,2	175,5	350	1463	1367	684	91	265	2700

IPIRANGA
DEBS
ROTATING SINGLE NUT
 Compact Bearing

Reference	Recirculation	Nominal diameter	Lead	Ball diameter	Root diameter	Circuits	Dimensions						Dimensions						Loads and rigidity						Bearing loads and speed					
Ref Referencia	S/U/B Tipo	do mm	Pho mm	Dw mm	d3 mm	i units	D1 mm	D7 mm	D2 mm	D10 mm	D5 mm	D6 mm	D11 mm	D9 mm	D8 mm	Ln mm	L0 mm	L2 mm	L5 mm	L7 mm	L6 mm	Cam KN	Coam KN	Rsm N/μm	Rbt N/μm	Rnu N/μm	Rnu.ar N/μm	Cam KN	Coam KN	Rpm Rpm
SFB-50-20-8-5-CB	S	50	20	7,938	44,22	5	165	140	105	90	77	110	6xM8	15	8x8,8	176	13	45	32	11	86	98,9	221,7	350	1813	1694	847	91	265	2700
SFB-50-25-8-3-CB	U	50	25	7,938	44,22	3	190	165	105	90	87	120	6xM10	18	8x11	111	13	55	32	13,5	11	71,2	156,5	338	1296	1232	616	135	395	2300
SFB-50-25-8-4-CB	U	50	25	7,938	44,22	4	190	165	105	90	87	120	6xM10	18	8x11	136	13	55	32	13,5	36	94,8	222,1	338	1788	1697	849	135	395	2300
SFB-50-30-8-2-CB	U	50	30	7,938	44,22	2	190	165	105	90	87	120	6xM10	18	8x11	103	13	55	32	13,5	3	49,6	102,6	338	870	834	417	135	395	2300
SFB-50-30-8-2-CB	U	50	30	7,938	44,22	2	190	165	105	90	87	120	6xM10	18	8x11	103	13	55	32	13,5	3	49,6	102,6	338	870	834	417	135	395	2300
SFB-50-30-8-3-CB	U	50	30	7,938	44,22	3	190	165	105	90	87	120	6xM10	18	8x11	133	13	55	32	13,5	33	70,7	155,7	338	1282	1230	615	135	395	2300
SFB-50-40-8-2-CB	U	50	40	7,938	44,22	2	190	165	105	90	87	120	6xM10	18	8x11	119	13	55	32	13,5	19	48,8	101,3	338	847	823	412	135	395	2300
SFB-50-40-8-3-CB	U	50	40	7,938	44,22	3	190	165	105	90	87	120	6xM10	18	8x11	159	13	55	32	13,5	59	69,5	153,7	338	1248	1213	607	135	395	2300
SFB-50-50-8-2-CB	U	50	50	7,938	44,22	2	190	165	105	90	87	120	6xM10	18	8x11	143	13	55	32	13,5	43	47,8	99,7	338	819	801	401	135	395	2300
SFB-63-10-7-3-CB	S	63	10	7,144	54,74	3	190	165	130	110	87	120	6xM10	18	8x11	107	20	55	32	13,5	0	66	169,7	582	1481	1240	620	135	395	2300
SFB-63-10-7-4-CB	S	63	10	7,144	54,74	4	190	165	130	110	87	120	6xM10	18	8x11	107	20	55	32	13,5	0	84,9	229	582	1951	1637	819	135	395	2300
SFB-63-10-7-5-CB	S	63	10	7,144	54,74	5	190	165	130	110	87	120	6xM10	18	8x11	107	20	55	32	13,5	0	103,4	289,5	582	2418	2031	1016	135	395	2300
SFB-63-10-7-6-CB	S	63	10	7,144	54,74	6	190	165	130	110	87	120	6xM10	18	8x11	118	20	55	32	13,5	11	121,5	351,3	582	2881	2423	1212	135	395	2300
SFB-63-12-8-4-CB	S	63	12	7,938	57,22	4	190	165	130	110	87	120	6xM10	18	8x11	117	20	55	32	13,5	10	96,2	245,1	576	1933	1695	848	135	395	2300
SFB-63-12-8-5-CB	S	63	12	7,938	57,22	5	190	165	130	110	87	120	6xM10	18	8x11	130	20	55	32	13,5	23	117,1	309,7	576	2394	2101	1051	135	395	2300
SFB-63-12-8-6-CB	S	63	12	7,938	57,22	6	190	165	130	110	87	120	6xM10	18	8x11	143	20	55	32	13,5	36	137,5	375,5	576	2852	2505	1253	135	395	2300
SFB-63-15-8-4-CB	S	63	15	7,938	57,22	4	190	165	130	110	87	120	6xM10	18	8x11	131	20	55	32	13,5	24	93,1	233,7	576	1850	1670	835	135	395	2300
SFB-63-15-8-5-CB	S	63	15	7,938	57,22	5	190	165	130	110	87	120	6xM10	18	8x11	147	20	55	32	13,5	40	113,4	295,3	576	2293	2072	1036	135	395	2300
SFB-63-15-8-6-CB	S	63	15	7,938	57,22	6	190	165	130	110	87	120	6xM10	18	8x11	163	20	55	32	13,5	56	133,2	358,1	576	2732	2470	1235	135	395	2300
SFB-63-16-8-4-CB	S	63	16	7,938	57,22	4	190	165	130	110	87	120	6xM10	18	8x11	138	20	55	32	13,5	31	93,1	233,6	576	1849	1680	840	135	395	2300
SFB-63-16-8-5-CB	S	63	16	7,938	57,22	5	190	165	130	110	87	120	6xM10	18	8x11	154	20	55	32	13,5	47	113,3	295,2	576	2291	2083	1042	135	395	2300
SFB-63-16-8-6-CB	S	63	16	7,938	57,22	6	190	165	130	110	87	120	6xM10	18	8x11	170	20	55	32	13,5	63	133,1	358	576	2729	2482	1241	135	395	2300
SFB-63-20-9-3-CB	S	63	20	9,525	56,02	3	200	175	130	110	97	130	6xM10	18	8x11	140	20	55	32	13,5	33	90	197,3	559	1389	1279	640	140	435	2150
SFB-63-20-9-4-CB	S	63	20	9,525	56,02	4	200	175	130	110	97	130	6xM10	18	8x11	161	20	55	32	13,5	54	115,8	265,6	559	1830	1687	844	140	435	2150
SFB-63-20-9-5-CB	S	63	20	9,525	56,02	5	200	175	130	110	97	130	6xM10	18	8x11	182	20	55	32	13,5	75	140,9	335,3	559	2267	2091	1046	140	435	2150
SFB-63-25-8-3-CB	U	63	25	7,938	56,02	3	200	175	130	110	97	130	6xM10	18	8x11	119	20	55	32	13,5	12	79,4	200,6	560	1582	1477	739	140	435	2150
SFB-63-25-8-4-CB	U	63	25	7,938	56,02	4	200	175	130	110	97	130	6xM10	18	8x11	144	20	55	32	13,5	37	102,2	270,4	560	2085	1947	974	140	435	2150
SFB-63-30-8-3-CB	U	63	30	7,938	56,02	3	200	175	130	110	97	130	6xM10	18	8x11	135	20	55	32	13,5	28	79,1	199,9	560	1572	1484	742	140	435	2150
SFB-63-30-8-3-CB	U	63	30	7,938	56,02	3	200	175	130	110	97	130	6xM10	18	8x11	135	20	55	32	13,5	28	79,1	199,9	560	1572	1484	742	140	435	2150
SFB-63-30-8-4-CB	U	63	30	7,938	56,02	4	200	175	130	110	97	130	6xM10	18	8x11	165	20	55	32	13,5	58	101,8	269,5	560	2071	1957	979	140	435	2150
SFB-63-30-8-4-CB	U	63	30	7,938	56,02	4	200	175	130	110	97	130	6xM10	18	8x11	165	20	55	32	13,5	58	101,8	269,5	560	2071	1957	979	140	435	2150
SFB-63-40-8-2-CB	U	63	40	7,938	56,02	2	200	175	130	110	97	130	6xM10	18	8x11	124	20	55	32	13,5	17	53,4	125,2	560	1009	968	484	140	435	2150
SFB-63-40-8-3-CB	U	63	40	7,938	56,02	3	200	175	130	110	97	130	6xM10	18	8x11	164	20	55	32	13,5	57	78,3	198,3	560	1545	1481	741	140	435	2150
SFB-63-50-8-2-CB	U	63	50	7,938	56,02	2	200	175	130	110	97	130	6xM10	18	8x11	146	20	55	32	13,5	39	52,7	123,9	560	987	955	478	140	435	2150

IPIRANGA
DEBS
COOLING
SINGLE NUT
 Start Deviation Preload



Reference	Recirculation	Nominal diameter	Lead	Ball diameter	Root diameter	Circuits	Dimensions					Dimensions					Loads and rigidity						
							L3	Ln	D1	D4	D6	D5	L7	L1	L8	L9	Cam	Coam	Rsm	Rbt	Rnu	Rnu.ar	
SINGLE NUT Ref	S/U/B Tipo	do mm	Ph mm	Dw mm	d3 mm	i units	mm	mm	mm	mm	mm	mm	mm	mm	mm	mm	mm	KN	KN	N/μm	N/μm	N/μm	N/μm
SFB-40-20-8-3-SD-CL	B	40	20	7,938	33,3	3	7,5	120	85	105	125	13,5	20	25	95	110	66,1	130,2	205	1894	1813	907	
SFB-40-25-8-3-SD-CL	B	40	25	7,938	33,3	3	7,5	135	85	105	125	13,5	20	25	95	110	65,6	129,3	205	1869	1806	903	
SFB-40-30-8-3-SD-CL	B	40	30	7,938	33,3	3	7,5	150	85	105	125	13,5	20	25	95	110	64,9	128,3	205	1839	1793	897	
SFB-50-20-8-3-SD-CL	B	50	20	7,938	43,3	3	7,5	120	95	115	135	13,5	20	25	100	117,5	71,5	157,2	338	2196	2082	1041	
SFB-50-25-8-3-SD-CL	B	50	25	7,938	43,3	3	7,5	135	95	115	135	13,5	20	25	100	117,5	71,2	156,5	338	2177	2086	1043	
SFB-50-30-8-3-SD-CL	B	50	30	7,938	43,3	3	7,5	150	95	115	135	13,5	20	25	100	117,5	70,7	155,7	338	2154	2080	1040	
SFB-63-20-8-3-SD-CL	B	63	20	7,938	56,3	3	7,5	120	110	130	150	13,5	20	25	115	132,5	79,7	201,1	560	2673	2485	1243	
SFB-63-25-8-3-SD-CL	B	63	25	7,938	56,3	3	7,5	135	110	130	150	13,5	20	25	115	132,5	79,4	200,6	560	2658	2507	1254	
SFB-63-30-8-3-SD-CL	B	63	30	7,938	56,3	3	7,5	150	110	130	150	13,5	20	25	115	132,5	79,1	199,9	560	2640	2515	1258	
SFB-63-40-9-3-SD-CL	B	63	40	9,525	55,2	3	7,5	185	115	135	155	13,5	20	25	120	137,5	99,6	233,4	546	2667	2576	1288	
SFB-80-40-9-3-SD-CL	B	80	40	9,525	72,2	3	7,5	190	135	155	175	13,5	25	25	140	157,5	113,5	308,6	916	3358	3218	1609	

IPIRANGA
DEBS
EXTRA
PERFORMANCE

SAFETY NUT CONFIGURATIONS

Ipiranga safety nuts can be installed on all types of ball screws, including ground and rolled types.

They can be embedded to the ball nuts or they can be integrated in the same piece of steel.

They contain a positive thread with clearance to ensure no contact with the thread. Their main objective is to prevent the potential uncontrolled descent of the ball nut along the shaft.



EMBEDDED SAFETY NUT



INTEGRATED SAFETY NUT



MATERIALS & COATINGS

MAGNESIUM PHOSPHATE.

Ipiranga ball screws are proven to our extensive experience in nuclear, port and airport sectors, where they have become global models.

Ipiranga Magnesium Phosphate ball screws contain a Nickel-Molybdenum alloy. This, together with our Magnesium Phosphate based surface treatment, guarantees reliable protection in damp and /or saline environments.



ARMOLOY.

Armoloy is a thin dense chromium coating with a hardness 75-78 HRC. This coating ensures reliable protection against corrosion and wear in damp and/or saline environments.

Armoloy coating may be brought into direct contact with food in accordance with EU Regulation No. 1935/2004.



STAINLESS STEEL.

Ipiranga is able to manufacture a 100% Stainless Steel Ball Screw for Medical, Food or Aerospace sectors where this kind of requirements are needed.

CERAMIC BALLS - SILICON NITRIDE.

Ipiranga is able to manufacture Ball Screws with Ceramic balls -Silicon Nitride - for extreme precision, Medical, Food or Aerospace sectors where this kind of requirements are needed.

IPIRANGA
DEBS
EXTRA
PERFORMANCE

WIPER CONFIGURATIONS

Ball screws working in tough environments require an extra protection.

The standard wipers we use start from PTFE, additionally, we can also offer technical solutions as Triple wiper, Polyamide or encapsulated felt, fitted to customers requirements.



ENCAPSULATED FELT WIPER.

Felt wipers are an excellent solution for ball screws operated in an environment with abrasive or otherwise troublesome dirt as in grinding machines. The felt wiper seals the nut effectively, even from fine particles, and also stores some lubricant.



TRIPLE WIPER.

Triple wipers are felt wiper with 2 additional plastic wipers, plough type one and a narrow PTFE wiper. This combination of wiper ensures a good protection against all dirt types, and achieves that the lubrication is maintained over time.



PTFE/POLYAMIDE WIPER.

PTFE wiper is the standard protection for the most ball screws, it adequately protects against most dirt.



PLOUGH WIPER.

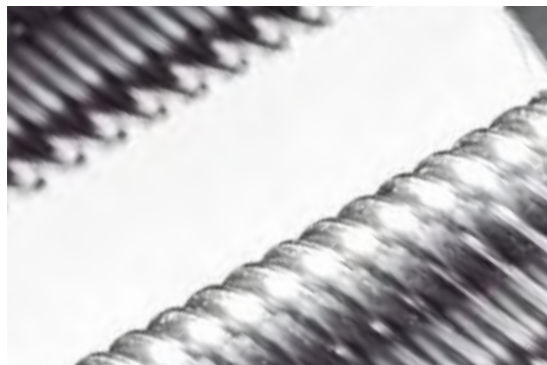
Plough wiper is a modification of the PTFE wiper that helps removing the dirt from the ball track. The plough effect is achieved by the spring located in the groove.



IPIRANGA RLD ROLLED ROLLING OUR CUSTOMERS' EFFICIENCY

Ipiranga RLD Rolled Ball Screws are optimal for linear translation applications.

IPIRANGA RLD are unbeatable when the precision and the rigidity of a ground ball screw is not required.



Rolling technology applied to translation requirements.

Improved return systems for the smoothest movements.

FEATURES & BENEFITS

PRODUCT RANGE

- From 16 mm to 63 mm diameters.
- Lead from 5 mm to 50 mm.
- Lengths up to 6 meters.
- One or several starts.
- IT7 & IT5 compliant.

MANUFACTURING PROCESSES AVAILABLE

- According to DIN 69051 and ISO 3408 standards
- ISO 9001 and ISO 14001 certified
- Rolled

PRODUCT FAMILIES

- RLD SERIES 10
- RLD SERIES 12
- RLD SERIES 14
- RLD SERIES 16
- RLD SERIES 18
- RLD SERIES 20
- RLD SERIES 22
- RLD SERIES 24



FRAMEWORK

- Multiple working conditions
- Protect
- Temp
- Low noise

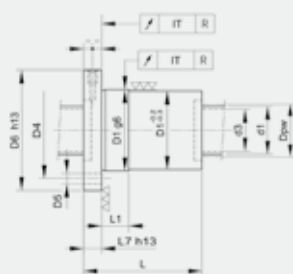
INNOVATION

- Tailored engineering
- Custom manufacturing
- Design eco

TECHNOLOGY

- Rolled

NUT CONFIGURATIONS



SINGLE NUT CONFIGURATION

Single nut without preload for multipurpose translation applications.

SERIES	NUT	RETURN
10	Standard cylindrical nut	S
12	Standard flange nut	S
14	Standard multi-starts nut	E
16	Standard multistarts flange nut	E
18	DIN Flange nut	S
20	DIN cylindrical nut	S
22	DIN Flange nut	B
24	DIN cylindrical nut	B

EXTRA PERFORMANCE & EQUIPMENT ALWAYS AT HAND

ROTATING

When the **operational speeds and lengths** of the ball screw does not allow high Rpm, the Rotary Nuts of Ipiranga satisfy the feed rates making the nut turning and getting the screw static.

COOLING

When a heating is produced in the ball screw assembly, the accuracy and the life time of the ball screws are affected due to the deformations. Keeping an **equilibrate temperature** of the ball screw assembly we reduce such risks.

SAFETY

Safety requirements are becoming more important, implementing Ipiranga embedded or integrated Safety nuts guarantee the load will be transferred from the ball nut to the safety nut in the event of failure of the system.

WIPER CONFIGURATION

- PTFE wiper
- Polyamide wiper

MATERIALS & COATINGS

- Magnesium Phosphate
- Armoloy
- Stainless steel
- Ceramic balls

IPIRANGA
RLD
SINGLE NUT
SERIES 10



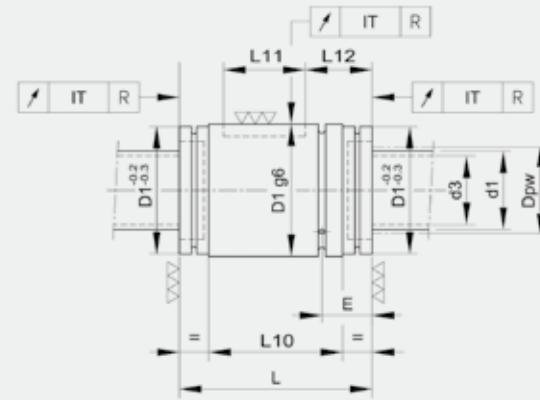
Reference	Nominal diameter	Root diameter	Lead	Starts	Circuits	Ball diameter	Dimensions							Loads, backlash and rigidity				
							D1	D1 min	L	L10	L11	BxT	E	Cam	Coam	Backlash	Rsm	Rnu.ar
Ref	d1 mm	d3 mm	Pho mm	e units	i units	Dw mm	D1 mm	D1 min mm	L mm	L10 mm	L11 mm	BxT mm	E mm	Cam KN	Coam KN	Backlash N/µm	Rsm N/µm	Rnu.ar N/µm
10.1605.3	15,4	12,7	5	1	3	3,5	28	28	40	25	20	5x2	10	10,5	14,9	0,08	33	93
10.2005.3	19,4	16,7	5	1	3	3,5	32	32	40	25	20	5x2	10	12	19,3	0,08	55	114
10.2005.4	19,4	16,7	5	1	4	3,5	32	32	46	31	20	5x2	10	15,3	25,7	0,08	55	150
10.2505.3	24,4	21,7	5	1	3	3,5	38	38	40	25	20	5x2	10	14,2	26,6	0,08	89	144
10.2505.4	24,4	21,7	5	1	4	3,5	38	38	46	31	20	5x2	10	18,1	35,4	0,08	89	190
10.3205.4	31,4	28,7	5	1	4	3,5	45	45	46	31	25	6x2,5	10	20,6	47,2	0,08	150	234
10.3205.5	31,4	28,7	5	1	5	3,5	45	45	51	36	25	6x2,5	10	25	58,9	0,08	150	289
10.3210.3	32,1	27,5	10	1	3	6,35	53	53	68	48	30	6x2,5	13,5	35,4	63	0,12	143	218
10.3210.4	32,1	27,5	10	1	4	6,35	53	53	78	58	30	6x2,5	13,5	45,5	84	0,12	143	288
10.4005.4	39,3	36,7	5	1	4	3,5	53	53	46	31	25	6x2,5	10	23	60,8	0,08	239	282
10.4005.5	39,3	36,7	5	1	5	3,5	53	53	51	36	30	6x2,5	10	27,9	76,1	0,08	239	349
10.4010.3	39,3	34,1	10	1	3	7,144	63	63	68	48	30	6x2,5	13,5	43,4	80,3	0,14	217	244
10.4010.4	39,3	34,1	10	1	4	7,144	63	63	78	58	30	6x2,5	13,5	55,6	107,1	0,14	217	321
10.5010.4	49,2	44	10	1	4	7,144	72	72	78	57	40	6x2,5	14,5	65,6	147,4	0,14	352	406
10.5010.5	49,2	44	10	1	5	7,144	72	72	90	69	40	6x2,5	14,5	79,6	184,3	0,14	352	503
10.5010.6	49,2	44	10	1	6	7,144	72	72	100	79	40	6x2,5	14,5	93,1	221,1	0,14	352	599
10.6310.4	62,2	57	10	1	4	7,144	85	85	78	57	40	6x2,5	14,5	73,1	188,3	0,14	578	480
10.6310.5	62,2	57	10	1	5	7,144	85	85	90	69	40	6x2,5	14,5	88,6	235,5	0,14	578	594
10.6310.6	62,2	57	10	1	6	7,144	85	85	100	79	40	6x2,5	14,5	106,3	282,5	0,14	578	707

IPIRANGA
RLD
SINGLE NUT
SERIES 12



Reference	Nominal diameter	Root diameter	Lead	Starts	Circuits	Ball diameter	Dimensions									Loads, backlash and rigidity				
							D1	D1 min	D6	D4	D5	L	L7	L1	Cam	Coam	Backlash	Rsm	Rnu.ar	
Ref	d1 mm	d3 mm	Pho mm	e units	i units	Dw mm	D1 mm	D1 min mm	D6 mm	D4 mm	D5 mm	L mm	L7 mm	L1 mm	Cam KN	Coam KN	Backlash N/μm	Rsm N/μm	Rnu.ar N/μm	
12.1605.3	15,4	12,7	5	1	3	3,5	28	28	48	38	5,5	46	12	10	10,5	14,9	0,08	33	93	
12.2005.3	19,4	16,7	5	1	3	3,5	32	32	55	45	7	46	12	10	12	19,3	0,08	55	113	
12.2005.4	19,4	16,7	5	1	4	3,5	32	32	55	45	7	51	12	10	15,3	25,7	0,08	55	148	
12.2505.3	24,4	21,7	5	1	3	3,5	38	38	62	50	7	48	14	10	14,2	26,6	0,08	89	143	
12.2505.4	24,4	21,7	5	1	4	3,5	38	38	62	50	7	53	14	10	18,1	35,4	0,08	89	188	
12.3205.4	31,4	28,7	5	1	4	3,5	45	45	70	58	7	55	16	10	20,6	47,2	0,08	150	228	
12.3205.5	31,4	28,7	5	1	5	3,5	45	45	70	58	7	61	16	10	25	58,9	0,08	150	282	
12.3210.3	32,1	27,5	10	1	3	6,35	53	53	80	68	7	75	16	16	35,4	63	0,12	143	220	
12.3210.4	32,1	27,5	10	1	4	6,35	53	53	80	68	7	85	16	16	45,5	84	0,12	143	290	
12.4005.4	39,3	36,7	5	1	4	3,5	53	53	80	68	7	55	16	10	23	60,8	0,08	239	267	
12.4005.5	39,3	36,7	5	1	5	3,5	53	53	80	68	7	60	16	10	27,9	76,1	0,08	239	330	
12.4010.3	39,3	34,1	10	1	3	7,144	63	63	95	78	9	75	16	16	43,4	80,3	0,14	217	244	
12.4010.4	39,3	34,1	10	1	4	7,144	63	63	95	78	9	85	16	16	55,6	107,1	0,14	217	321	
12.5010.4	49,2	44	10	1	4	7,144	72	72	110	90	11	88	18	16	65,6	147,4	0,14	352	402	
12.5010.5	49,2	44	10	1	5	7,144	72	72	110	90	11	99	18	16	79,6	184,3	0,14	352	498	
12.5010.6	49,2	44	10	1	6	7,144	72	72	110	90	11	109	18	16	93,1	221,1	0,14	352	592	
12.6310.4	62,2	57	10	1	4	7,144	85	85	125	105	11	90	20	16	73,1	188,3	0,14	578	469	
12.6310.5	62,2	57	10	1	5	7,144	85	85	125	105	11	101	20	16	88,6	235,5	0,14	578	580	
12.6310.6	62,2	57	10	1	6	7,144	85	85	125	105	11	111	20	16	106,3	282,5	0,14	578	697	

IPIRANGA
RLD
SINGLE NUT
SERIES 14



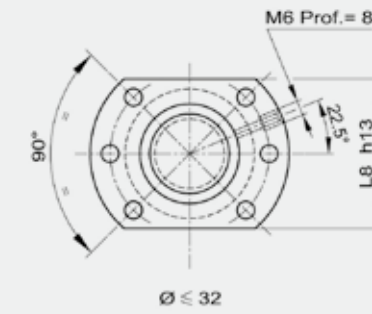
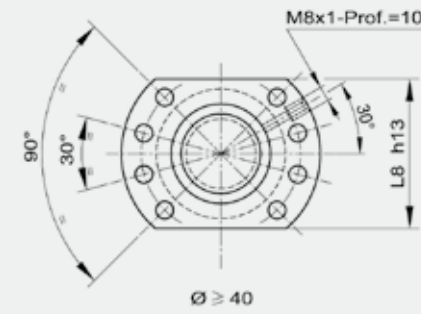
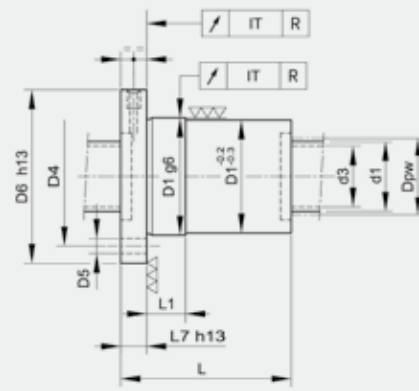
Reference	Nominal diameter	Root diameter	Lead	Starts	Circuits	Ball diameter	Dimensions							Loads, backlash and rigidity				
							D1	L	L10	L11	L12	BxT	E	Cam	Coam	Backlash	Rsm	Rnu.ar
Ref	d1 mm	d3 mm	Pho mm	e units	i units	Dw mm	D1 mm	L mm	L10 mm	L11 mm	L12 mm	BxT mm	E mm	Cam KN	Coam KN	Backlash N/μm	Rsm N/μm	Rnu.ar N/μm
14.2510.4	24,4	21,9	10	2	4	3,5	45	36	20	12,5	14,5	5x2	11,5	16,3	37,1	0,08	89	190
14.2525.5	24,4	21,9	25	5	5	3,5	45	40	23	16	14	5x2	10,5	20,7	42,4	0,08	89	227
14.3220.8	31,4	28,7	20	4	8	3,5	53	55	37	20	17,5	6x2,5	11	32,9	96,4	0,08	150	454
14.3240.4	31,4	28,7	40	8	4	3,5	53	50	32	20	15	6x2,5	11	17,8	40,5	0,08	150	204
14.4040.4	39,4	34,3	40	4	4	7,144	72	57	37	20	18,5	6x2,5	15	52,6	102,8	0,14	218	310
14.5020.4	49,4	44	20	2	4	7,144	85	65	45	30	24	6x2,5	20	59	154,3	0,14	355	410
14.5050.5	49,4	44,2	50	5	5	7,144	85	66	46	30	18	6x2,5	14,5	75,1	176,5	0,14	355	496
14.6320.4	62,4	57	20	2	4	7,144	105	65	47	30	24	6x2,5	20	65,3	195,5	0,14	581	488

IPIRANGA
RLD
SINGLE NUT
SERIES 16



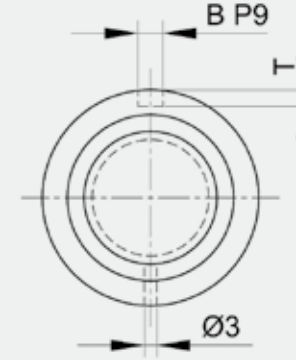
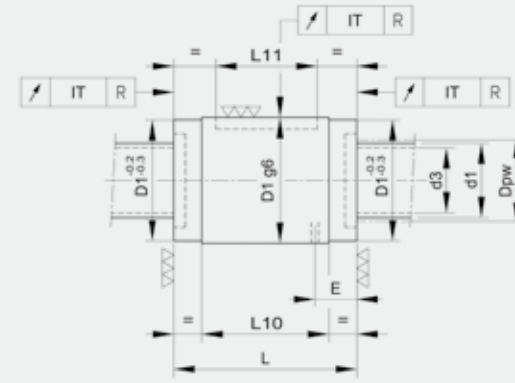
Reference	Nominal diameter	Root diameter	Lead	Starts	Circuits	Ball diameter	Dimensions								Loads, backlash and rigidity				
							D1	D6	D4	D5	L	L7	L1	L3	Cam	Coam	Backlash	Rsm	Rnu.ar
Ref	d1 mm	d3 mm	Pho mm	e units	i units	Dw mm	D1 mm	D6 mm	D4 mm	D5 mm	L mm	L7 mm	L1 mm	L3 mm	KN	KN	N/μm	N/μm	N/μm
16.2510.4	24,4	21,9	10	2	4	3,5	45	70	57	7	36	14	11	11	16,3	37,1	0,08	89	190
16.2525.5	24,4	21,9	25	5	5	3,5	45	70	57	7	40	14	14,5	11,5	20,7	42,4	0,08	89	227
16.3220.8	31,4	28,7	20	4	8	3,5	53	80	68	7	55	16	26	13	32,9	96,4	0,08	150	454
16.3240.4	31,4	28,7	40	8	4	3,5	53	80	68	7	50	16	21	13	17,8	40,5	0,08	150	204
16.4040.4	39,4	34,3	40	4	4	7,144	72	104	87	9	57	16	24	17	52,6	102,8	0,14	218	310
16.5020.4	49,4	44	20	2	4	7,144	85	125	105	11	65	18	27	20	59	154,3	0,14	355	410
16.5050.5	49,4	44,2	50	5	5	7,144	85	125	105	11	66	18	31	17	75,1	176,5	0,14	355	496
16.6320.4	62,4	57	20	2	4	7,144	105	145	125	11	65	20	27	18	65,3	195,5	0,14	581	488

IPIRANGA
RLD
SINGLE NUT
SERIES 18



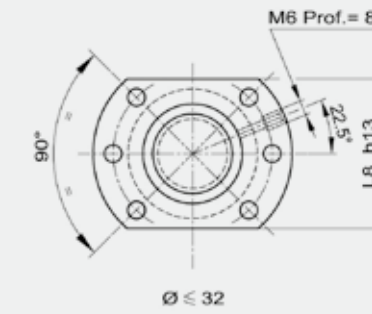
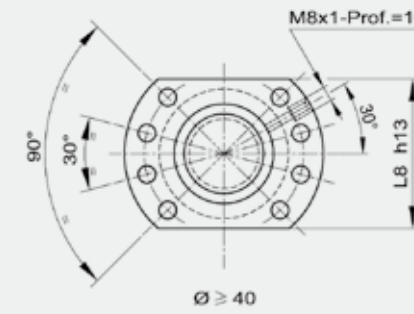
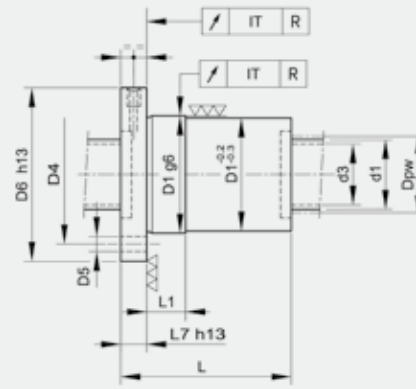
Reference	Nominal diameter	Root diameter	Lead	Starts	Circuits	Ball diameter	Dimensions										Loads, backlash and rigidity				
							D1	D1 min	D6	D4	D5	L	L7	L1	L8	Cam	Coam	Backlash	Rsm	Rnu.ar	
Ref	d1 mm	d3 mm	Pho mm	e units	i units	Dw mm	D1 mm	D1 min mm	D6 mm	D4 mm	D5 mm	L mm	L7 mm	L1 mm	L8 mm	Cam KN	Coam KN	Backlash N/μm	Rsm N/μm	Rnu.ar N/μm	
18.1605.3	15,4	12,7	5	1	3	3,5	28	28	48	38	5,5	44	10	10	40	10,5	14,9	0,08	33	93	
18.2005.3	19,4	16,7	5	1	3	3,5	36	32	58	47	6,6	44	10	10	44	12	19,3	0,08	55	114	
18.2005.4	19,4	16,7	5	1	4	3,5	36	32	58	47	6,6	49	10	10	44	15,3	25,7	0,08	55	150	
18.2505.3	24,4	21,7	5	1	3	3,5	40	38	62	51	6,6	44	10	10	48	14,2	26,6	0,08	89	144	
18.2505.4	24,4	21,7	5	1	4	3,5	40	38	62	51	6,6	49	10	10	48	18,1	35,4	0,08	89	190	
18.3205.4	31,4	28,7	5	1	4	3,5	50	45	80	65	9	52	12	10	62	20,6	47,2	0,08	150	234	
18.3205.5	31,4	28,7	5	1	5	3,5	50	45	80	65	9	57	12	10	62	25	58,9	0,08	150	289	
18.3210.3	32,1	27,5	10	1	3	6,35	50	50	80	65	9	71	12	10	62	35,4	63	0,12	143	218	
18.3210.4	32,1	27,5	10	1	4	6,35	50	50	80	65	9	81	12	10	62	45,5	84	0,12	143	288	
18.4005.4	39,3	36,7	5	1	4	3,5	63	53	93	78	9	53	14	10	70	23	60,8	0,08	239	282	
18.4005.5	39,3	36,7	5	1	5	3,5	63	53	93	78	9	58	14	10	70	27,9	76,1	0,08	239	349	
18.4010.3	39,3	34,1	10	1	3	7,144	63	63	93	78	9	72	14	20	70	43,4	80,3	0,14	217	244	
18.4010.4	39,3	34,1	10	1	4	7,144	63	63	93	78	9	90	14	20	70	55,6	107,1	0,14	217	321	
18.5010.4	49,2	44	10	1	4	7,144	75	72	110	93	11	85	16	20	85	65,6	147,4	0,14	352	406	
18.5010.5	49,2	44	10	1	5	7,144	75	72	110	93	11	97	16	20	85	79,6	184,3	0,14	352	503	
18.5010.6	49,2	44	10	1	6	7,144	75	72	110	93	11	107	16	20	85	93,1	221,1	0,14	352	599	
18.6310.4	62,2	57	10	1	4	7,144	90	85	125	108	11	87	18	20	95	73,1	188,3	0,14	578	480	
18.6310.5	62,2	57	10	1	5	7,144	90	85	125	108	11	99	18	20	95	88,6	235,5	0,14	578	594	
18.6310.6	62,2	57	10	1	6	7,144	90	85	125	108	11	111	18	20	95	106,3	282,5	0,14	578	707	

IPIRANGA
RLD
SINGLE NUT
SERIES 20



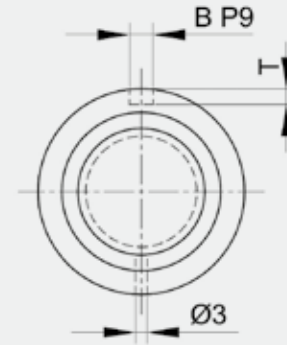
Reference	Nominal diameter	Root diameter	Lead	Starts	Circuits	Ball diameter	Dimensions								Loads, backlash and rigidity				
							D1	D1 min	L	L10	L11	BxT	E	Cam	Coam	Backlash	Rsm	Rnu.ar	
Ref	d1 mm	d3 mm	Pho mm	e units	i units	Dw mm	D1 mm	D1 min mm	L mm	L10 mm	L11 mm	BxT mm	E mm	Cam KN	Coam KN	Backlash N/μm	Rsm N/μm	Rnu.ar N/μm	
20.1605.3	15,4	12,7	5	1	3	3,5	28	28	40	25	20	5x2	10	10,5	14,9	0,08	33	93	
20.2005.3	19,4	16,7	5	1	3	3,5	36	32	40	25	20	5x2	10	12	19,3	0,08	55	114	
20.2005.4	19,4	16,7	5	1	4	3,5	36	32	46	31	20	5x2	10	15,3	25,7	0,08	55	150	
20.2505.3	24,4	21,7	5	1	3	3,5	40	38	40	25	20	5x2	10	14,2	26,6	0,08	89	144	
20.2505.4	24,4	21,7	5	1	4	3,5	40	38	46	31	20	5x2	10	18,1	35,4	0,08	89	190	
20.3205.4	31,4	28,7	5	1	4	3,5	50	45	46	31	25	6x2,5	10	20,6	47,2	0,08	150	234	
20.3205.5	31,4	28,7	5	1	5	3,5	50	45	51	36	25	6x2,5	10	25	58,9	0,08	150	289	
20.3210.3	32,1	27,5	10	1	3	6,35	50	53	68	48	30	6x2,5	13,5	35,4	63	0,12	143	218	
20.3210.4	32,1	27,5	10	1	4	6,35	50	53	78	58	30	6x2,5	13,5	45,5	84	0,12	143	288	
20.4005.4	39,3	36,7	5	1	4	3,5	63	53	46	31	25	6x2,5	10	23	60,8	0,08	239	282	
20.4005.5	39,3	36,7	5	1	5	3,5	63	53	51	36	30	6x2,5	10	27,9	76,1	0,08	239	349	
20.4010.3	39,3	34,1	10	1	3	7,144	63	63	68	48	30	6x2,5	13,5	43,4	80,3	0,14	217	244	
20.4010.4	39,3	34,1	10	1	4	7,144	63	63	78	58	30	6x2,5	13,5	55,6	107,1	0,14	217	321	
20.5010.4	49,2	44	10	1	4	7,144	75	72	78	57	40	6x2,5	14,5	65,6	147,4	0,14	352	406	
20.5010.5	49,2	44	10	1	5	7,144	75	72	90	69	40	6x2,5	14,5	79,6	184,3	0,14	352	503	
20.5010.6	49,2	44	10	1	6	7,144	75	72	100	79	40	6x2,5	14,5	93,1	221,1	0,14	352	599	
20.6310.4	62,2	57	10	1	4	7,144	90	85	78	69	40	6x2,5	14,5	73,1	188,3	0,14	578	480	
20.6310.5	62,2	57	10	1	5	7,144	90	85	90	69	40	6x2,5	14,5	88,6	235,5	0,14	578	594	
20.6310.6	62,2	57	10	1	6	7,144	90	85	100	79	40	6x2,5	14,5	106,3	282,5	0,14	578	707	

IPIRANGA
RLD
SINGLE NUT
SERIES 22



Reference	Nominal diameter	Root diameter	Lead	Starts	Circuits	Ball diameter	Dimensions										Loads, backlash and rigidity					
							d1	d3	Pho	e	i	Dw	D1	D1 min	D6	D4	D5	L	L7	L1	L3	L8
Ref	mm	mm	mm	units	units	mm	mm	mm	mm	mm	mm	mm	mm	mm	mm	mm	mm	KN	KN	N/μm	N/μm	N/μm
22.2510.4	24,4	21,9	10	2	4	3,5	40	40	62	51	6,6	42	10	10	0	48	17,1	39,9	0,08	89	200	
22.2510.6	24,4	21,9	10	2	6	3,5	40	40	62	51	6,6	52	10	10	0	48	22,8	61,2	0,08	89	282	
22.2525.5	24,4	21,9	25	5	5	3,5	40	40	62	51	6,6	52	10	10	0	48	21,4	44,6	0,08	89	237	
22.2525.10	24,4	21,9	25	5	10	3,5	40	40	62	51	6,6	77	10	10	0	48	35,7	95,8	0,08	89	461	
22.3220.4	31,4	28,7	20	4	4	3,5	56	50	86	71	9	52	14	20	0	65	21,2	50	0,08	150	259	
22.3220.8	31,4	28,7	20	4	8	3,5	56	50	86	71	9	72	14	20	0	65	34,5	103,8	0,08	150	485	
22.3220.12	31,4	28,7	20	4	12	3,5	56	50	86	71	9	92	14	20	0	65	45,6	157,6	0,08	150	691	
22.3240.4	31,4	28,7	40	4	4	3,5	56	50	86	71	9	62	14	20	0	65	18,9	44	0,08	150	220	
22.3240.8	31,4	28,7	40	4	8	3,5	56	50	86	71	9	102	14	20	0	65	31,5	95	0,08	150	430	
22.4040.2	39,4	34,3	40	2	2	7,144	70	70	100	85	9	73	14	20	0	75	33	62,3	0,14	218	190	
22.4040.4	39,4	34,3	40	4	4	7,144	70	70	100	85	9	79	14	20	0	75	59,9	124,6	0,14	218	368	
22.4040.8	39,4	34,3	40	4	8	7,144	70	70	100	85	9	119	14	20	0	75	96,9	256,6	0,14	218	688	
22.5020.4	49,4	44	20	2	4	7,144	82	80	118	100	11	72	16	25	0	92	62,9	169,7	0,14	355	442	
22.5020.6	49,4	44	20	2	6	7,144	82	80	118	100	11	92	16	25	0	92	82,4	254,6	0,14	355	612	
22.5020.8	49,4	44	20	2	8	7,144	82	80	118	100	11	112	16	25	0	92	100,5	343,3	0,14	355	772	
22.5020.10	49,4	44	20	2	10	7,144	82	80	118	100	11	132	16	25	0	92	116,5	428,1	0,14	355	912	
22.5050.5	49,4	44,2	50	5	5	7,144	82	80	118	100	11	90	16	25	0	92	80,3	194,9	0,14	355	540	
22.5050.10	49,4	44,2	50	5	10	7,144	82	80	118	100	11	140	16	25	0	92	129,5	399,1	0,14	355	1008	
22.6320.4	62,4	57	20	2	4	7,144	95	92	135	115	13,5	72	20	25	0	100	69,7	215	0,14	581	518	
22.6320.6	62,4	57	20	2	6	7,144	95	92	135	115	13,5	92	16	25	0	100	91,7	324,5	0,14	581	713	
22.6320.8	62,4	57	20	2	8	7,144	95	92	135	115	13,5	112	16	25	0	100	111,9	437,9	0,14	581	890	
22.6320.10	62,4	57	20	2	10	7,144	95	92	135	115	13,5	132	16	25	0	100	129,8	547,4	0,14	581	1044	

IPIRANGA
RLD
SINGLE NUT
SERIES 24



Reference	Nominal diameter	Root diameter	Lead	Starts	Circuits	Ball diameter	Dimensions							Loads, backlash and rigidity				
							D1	D1 min	L	L10	L11	BxT	E	Cam	Coam	Backlash	Rsm	Rnu.ar
Ref	d1 mm	d3 mm	Pho mm	e units	i units	Dw mm	D1 mm	D1 min mm	L mm	L10 mm	L11 mm	BxT mm	E mm	Cam KN	Coam KN	Backlash N/μm	Rsm N/μm	Rnu.ar N/μm
24.2510.4	24,4	21,9	10	2	4	3,5	40	40	42	27	20	5x2,5	10	17,1	39,9	0,08	89	200
24.2510.6	24,4	21,9	10	2	6	3,5	40	40	52	37	20	5x2,5	10	22,8	61,2	0,08	89	282
24.2525.5	24,4	21,9	25	5	5	3,5	40	40	48	33	20	5x2,5	10	21,4	44,6	0,08	89	237
24.2525.10	24,4	21,9	25	5	10	3,5	40	40	73	58	20	5x2,5	10	35,7	95,8	0,08	89	461
24.3220.4	31,4	28,7	20	4	4	3,5	56	50	43	28	25	6x2,5	10	21,2	50	0,08	150	259
24.3220.8	31,4	28,7	20	4	8	3,5	56	50	63	48	25	6x2,5	10	34,5	103,8	0,08	150	485
24.3220.12	31,4	28,7	20	4	12	3,5	56	50	83	68	25	6x2,5	10	45,6	157,6	0,08	150	691
24.3240.4	31,4	28,7	40	4	4	3,5	56	50	62	47	25	6x2,5	12	18,9	44	0,08	150	220
24.3240.8	31,4	28,7	40	4	8	3,5	56	50	102	87	25	6x2,5	12	31,5	95	0,08	150	430
24.4040.2	39,4	34,3	40	2	2	7,144	70	70	72	52	30	6x2,5	12	33	62,3	0,12	218	190
24.4040.4	39,4	34,3	40	4	4	7,144	70	70	72	52	30	6x2,5	12	59,9	124,6	0,12	218	368
24.4040.8	39,4	34,3	40	4	8	7,144	70	70	112	92	30	6x2,5	12	96,9	256,6	0,12	218	688
24.5020.4	49,4	44	20	2	4	7,144	82	80	72	51	40	6x2,5	12	62,9	169,7	0,08	355	442
24.5020.6	49,4	44	20	2	6	7,144	82	80	92	71	40	6x2,5	12	82,4	254,6	0,08	355	612
24.5020.8	49,4	44	20	2	8	7,144	82	80	112	91	40	6x2,5	12	100,5	343,3	0,08	355	772
24.5020.10	49,4	44	20	2	10	7,144	82	80	132	111	40	6x2,5	12	116,5	428,1	0,08	355	912
24.5050.5	49,4	44,2	50	5	5	7,144	82	80	82	61	40	6x2,5	12	80,3	194,9	0,14	355	540
24.5050.10	49,4	44,2	50	5	10	7,144	82	80	132	111	40	6x2,5	12	129,5	399,1	0,14	355	1008
24.6320.4	62,4	57	20	2	4	7,144	95	92	72	51	40	6x2,5	16	69,7	215	0,14	581	518
24.6320.6	62,4	57	20	2	6	7,144	95	92	92	71	40	6x2,5	16	91,7	324,5	0,14	581	713
24.6320.8	62,4	57	20	2	8	7,144	95	92	112	91	40	6x2,5	16	111,9	437,9	0,14	581	890
24.6320.10	62,4	57	20	2	10	7,144	95	92	132	111	40	6x2,5	16	129,8	547,4	0,14	581	1044

OUTSTANDING PERFORMANCE

Together, we create extraordinary motion solutions to make the world better for everyone. This is our purpose.

The reason why we come to work.
The reason why we are a skilled and multidisciplinary workforce. The reason why we reach excellence on an everyday basis.
And we are always meeting our purpose: outstanding performance.

